

SSCF-2AN4 Series
SC DUPLEX ADAPTOR
for Angled-PC
- Short Frange Type -

TECHNICAL SPECIFICATIONS

Seiko Instruments Inc.
Micromechatronics Business Unit
8, Nakase 1-Chome, Mihama-ku
Chiba-shi, Chiba 261-8507, Japan

OFC Division
431, Ohnomachi 1-Chome
Ichikawa-shi, Chiba 272-0805, Japan
Telephone: +81-47-337-1112
Facsimile: +81-43-337-9708

SSCF-2AN4 Series SC DUPLEX ADAPTOR for Angled PC - Short Flange Type -
TECHNICAL SPECIFICATIONS

Document Number [ACD-44C4-01](#)

[ACD-44C4-01](#) [April 2004](#)

Copyright 2004 by Seiko Instruments Inc.
All right reserved.

The information contained herein shall not be reproduced or disclosed to any third party without the express written consent of **SII**.

The Specifications contained herein are subject to change without notice.

SII is a trademark of **Seiko Instruments Inc.**

Please address any questions, comments, and suggestions to:

Seiko Instruments USA Inc.

Optical Fiber Components Group
2990 West Lomita Boulevard
Torrance, CA 90505, U.S.A.
Phone: +1-310-517-7780
Facsimile: +1-310-517-7792

Seiko Instruments GmbH

Optical Fiber Department
Siemensstraße 9
D-63263 Neu-Isenburg, Germany
Phone: +49-6102-297-0
Facsimile: +49-6102-297-211

Seiko Instruments Singapore Pte. Ltd.

Component Sales Deptment
2, Marsiling Lane
Singapore 739144
Phone: +65-6269-1370
Facsimile: +65-6269-9729

Seiko Instruments Taiwan Inc.

Sales Department
4F, No.40, Sec. 2, Min-Chuan E Rd.,
Taipei 104, Taiwan, R.O.C.
Phone: +886-2-2563-5001
Facsimile: +886-2-2521-9519

TABLE OF CONTENTS

Section		Page
1	PROVISION	1
1.1	Application limit	1
2	PARTS NUMBER	1
3	GENERAL SPECIFICATIONS	2
3.1	Parts and Materials	2
3.2	Physical Dimensions	2
3.3	General Tolerances	2
3.4	Insertion Loss	3
4	PACKING	3
5	SHIPPING INSPECTION	3
6	NOTE	3

Table

Table 1	Parts Number	1
Table 2	Parts and Materials	2
Table 3	General Tolerance	2
Table 4	Insertion Loss and Measurement Conditions	3

Figure

Figure 1	Insertion Loss Measurement System	3
Figure 2	SSCF-2AN4 Adaptor	4
Figure 3	©Cap	5

1 PROVISION

1.1 Application Limit

These specifications apply to the SSCF-2AN4 SC duplex adaptor for Angled-PC (Short Flange Type) supplied by SII.

2 PARTS NUMBER

Parts Number of the adaptor is shown in Table 1.

Table 1 Parts Number

MODEL Number		TYPE Number				
SSCF-2AN4		2	2	7	0	0
Slit Sleeve						
2	Zirconia					
Marking						
2	SII / SSCF-2A					
		(Required)				
		0 0				
		Cap				
		7	Black (Grip Type)			
		8	Translucent (Grip Type)			

3 GENERAL SPECIFICATIONS

3.1 Parts and Materials

Parts and materials are shown in Table 2.

Table 2 Parts and materials

No.	Part Name	Qty	Material	Notes
①	Slit Sleeve	2	Zirconia Ceramics	-
②	Sleeve holder	2	PEI GF	Black, Flammability UL94 V-0
③	Adaptor housing	1	PBT GF	Green, Flammability UL94 V-0
④	Pin	2	Stainless Steel	-
⑤	Plate	1	Stainless Steel	-
⑥	Cap	4	PC	Black or Translucent (Differ according to the parts number shown in Table 1), Flammability UL94 V-0

3.2 Physical Dimensions

Figure 2 shows the SSCF-2AN4 adaptor.

Figure 3 shows the parts dimensions.

-In accordance with IEC 61754-4 Type SC connector family.

3.3 General Tolerances

Permissible deviation in dimensions without tolerance indication is in accordance with ISO 2768-m (JIS B 0405-m), as shown in Table 3.

Table 3 General tolerance (ISO 2768-m)

Basic size step [mm]		Permissible deviation [mm]
Over	Under	
0.5	3	±0.1
3	6	±0.1
6	30	±0.2

3.4 Insertion Loss

Insertion loss of the adaptor and measurement conditions are shown in Table 4. Figure 1 shows the measurement system.

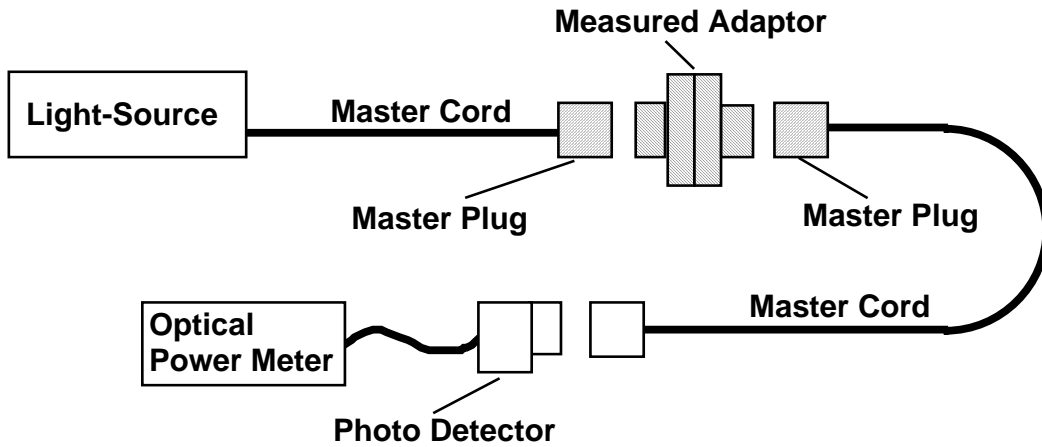


Figure 1 Insertion loss Measurement System

Table 4 Insertion Loss and Measurement Conditions

Parts Number		SSCF-2AN4 22*00
Insertion Loss		0.3 dB or less
Conditions	Light Source	LD
	Wave Length	1.31 μm
	Master Cord Terminated	Angled-PC Polishing

4 PACKING

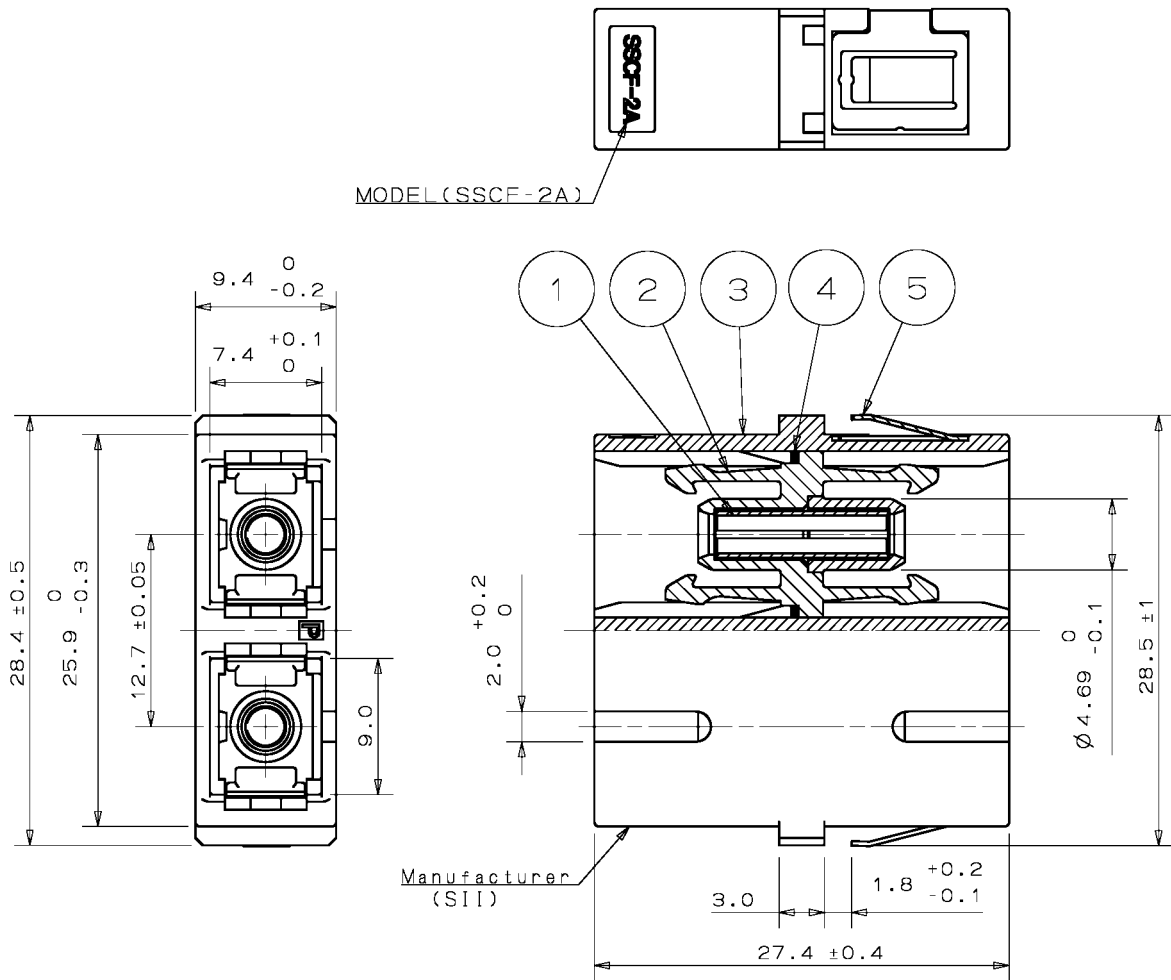
The product is packed to prevent damage during shipment.

5 SHIPPING INSPECTION

Insertion loss of the adaptor is inspected before shipping.

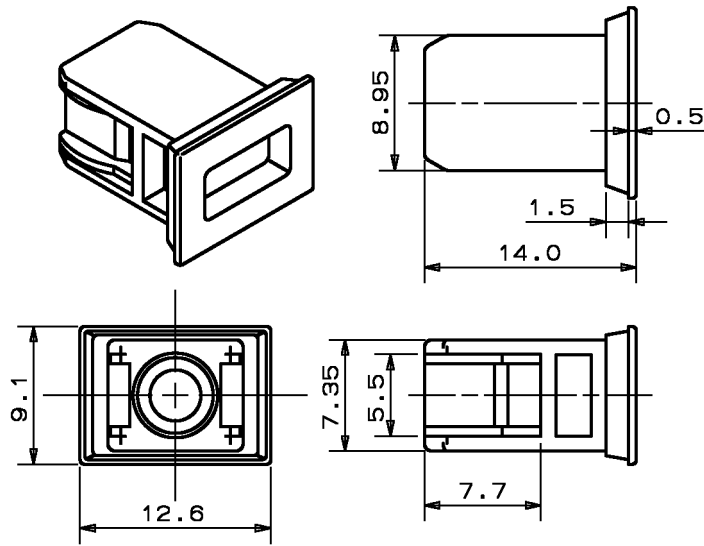
6 NOTE

When discarding this product, please follow the regulation of your own country.



Unit: mm

Figure 2 SSCF-2AN4 Adaptor



Unit: mm

Figure 3 ⑥ Cap