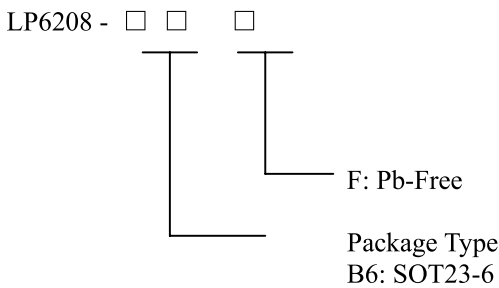


## Tink Package, High Efficiency Boost DC/DC Regulator

### General Description

The LP6208 is high efficiency, PWM step-up DC/DC converters optimized to provide a high efficiency solution to medium power system. The devices work under the input voltage between 1.0V and 5V with a 450KHz fixed frequency switching. These features minimize overall solution footprint by allowing the use of tiny, low profile inductors and ceramic capacitors.

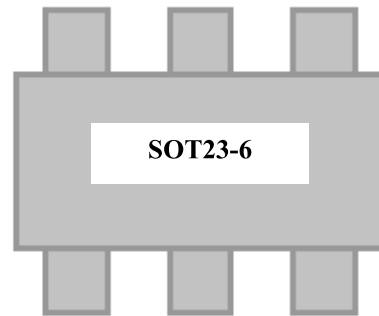
### Ordering Information



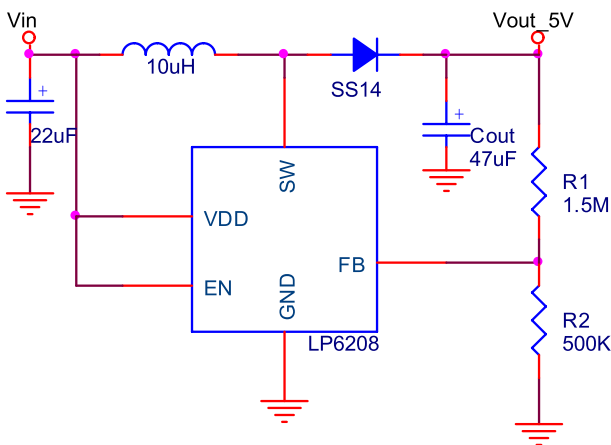
### Features

- ✧ Up to 85% efficiency
- ✧ Low voltage start-up: 1.0V
- ✧ Shut-down current: <1uA
- ✧ 14uA Quiescent(Switch-off) Supply
- ✧ Low switch on resistance  $R_{DS(ON)}$ , Internal switch: 0.3 OHM
- ✧ High switch on current: 1.5A
- ✧ 450KHz fixed frequency switching
- ✧ Available in SOT23-6 Package

### Pin Configurations



### Typical Application Circuit



$$V_{out} = (R1/R2 + 1) * 1.212 V$$

### Marking Information

Please see website.

### Applications

- ✧ AIK. Battery products
- ✧ Li-ion Battery products
- ✧ Host application