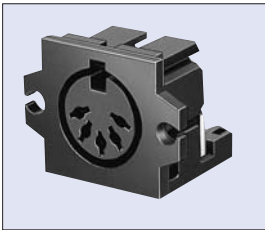


# DIN Connectors (Horizontal Type Sockets)

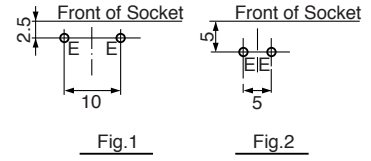
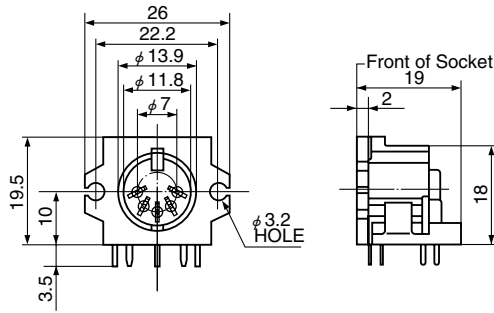
Unit: mm

## TCS5300 Series

Quick Locking Type



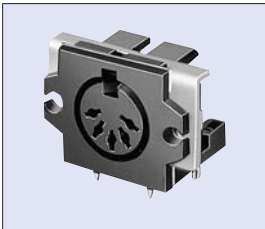
TCS5350-0140577



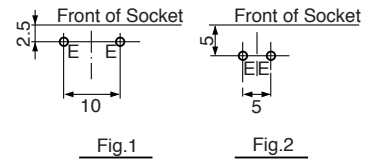
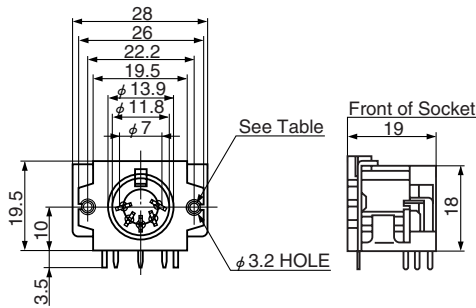
Ground Terminal Position Type

## TCS5093 Series

Quick Locking Type



TCS5093-1540577



Ground Terminal Position Type

No. of Poles	3	4	5a	5b
HOLE LAYOUT (BOTTOM VIEW) Ground Term. Position Type Fig.1				
5c	6	7	8a	8b

DIN Standard No.	41524	—	41524	—	45327	45322	45329	45326	—	
Number of Contacts	3	4	5a	5b	5c	6	7	8a	8b	
Arrangement										
	Mounting Hole	Ground Terminal Position	(Front View)							
TCS5300 Series	—	Fig.1 Fig.2	TCS5350-0140577			TCS5360-0140577	TCS5370-0140577	TCS5380-0140577	TCS5390-0140577	
			TCS5350-0141577			TCS5360-0141577	TCS5370-0141577	TCS5380-0141577	TCS5390-0141577	
TCS5093 Series	M3×0.5	Fig.1	TCS5093-1540577			TCS5093-1640577	TCS5093-1740577	TCS5093-1840577	TCS5093-1940577	
		Fig.2	TCS5093-1541577			TCS5093-1641577	TCS5093-1741577	TCS5093-1841577	TCS5093-1941577	
	M2.6×0.45	Fig.1	TCS5093-1540677			TCS5093-1640677	TCS5093-1740677	TCS5093-1840677	TCS5093-1940677	
		Fig.2	TCS5093-1541677			TCS5093-1641677	TCS5093-1741677	TCS5093-1841677	TCS5093-1941677	