

DRAWING NO.  
SE208132

7

6

5

4

3

2

1

CONNECTOR SIZE	TOLERANCES						
	B	C	E	K DIA.	L	N	O.D.
-10C	±.03	$\begin{matrix} +.04 \\ -.02 \end{matrix}$	±.02	±.02	±.06	±.03	±.01
8C - 25	±.06	$\begin{matrix} +.04 \\ -.02 \end{matrix}$	±.02	±.02	±.09	±.03	±.01
26 - 34	±.08	$\begin{matrix} +.04 \\ -.02 \end{matrix}$	±.02	±.02	±.12	±.03	±.01
35 AND UP	±.09	±.06	±.02	±.02	±.15	±.06	±.01

REV.	DATE	DESCRIPTION	ECO	BY	C'K'D.
5	7/7/00	UPDATE FORMAT AND NOTE 2, ADD TOLERANCE TABLE PER ECO.	5609	DB	BM

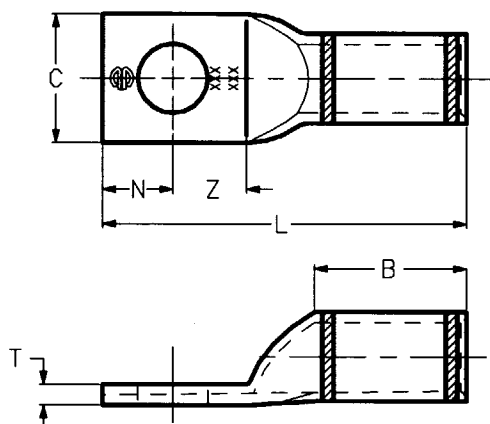


FIG. 1

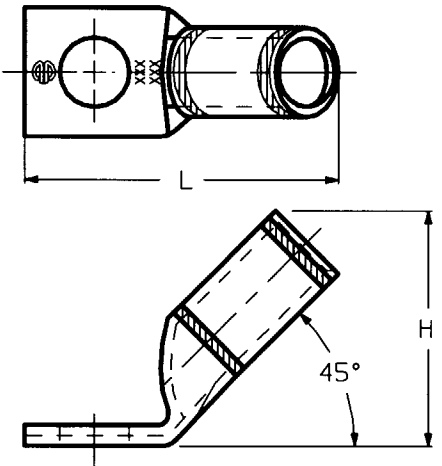


FIG. 2

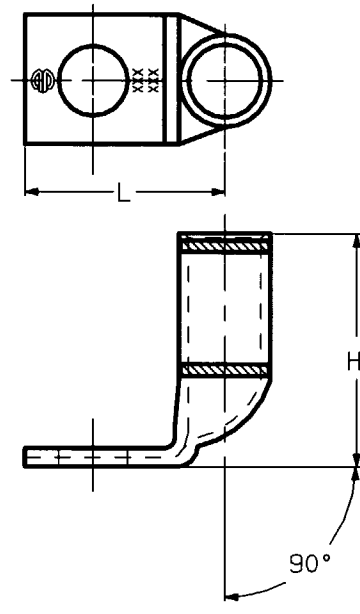


FIG. 3

NOTES:

1. MATERIAL: COPPER TUBING.
2. FINISH: LEAD PLATED.
3. CATALOG # PT6515 ADAPTOR IS REQUIRED TO USE "U" DIES IN Y45 SERIES TOOLS.
4. CATALOG # PUADP-1 ADAPTOR IS REQUIRED TO USE "U" DIES IN Y46 SERIES TOOLS.
5. NAVY CABLE SIZE MAY BE OMITTED ON SOME SIZES BECAUSE OF SPACE LIMITATIONS.
6. PERMANENT DIE IN TOOLING.
7. DIMENSIONS IN BRACKETS [ ] ARE IN MILLIMETERS ROUNDED OFF TO THE NEAREST MILLIMETER, UNLESS OTHERWISE NOTED, AND ARE FOR REFERENCE ONLY.
8. IF HIGHEST REVISION OF THIS SALES PRINT IS AFFECTED, UPDATE PRINT WSA208758 TO INCLUDE THE NEW REVISION.
9. ALL OF THE CATALOG NUMBERS FOR THESE HYLUGS™ CAN BE ORDERED ELECTRO-TIN PLATED WITH OR WITHOUT SKIVE.  
EXAMPLE: YA34L-TC516-FX (SKIVE)  
YAG34L-TC516-FX (NO SKIVE)

TO ORDER BURNDY PRODUCTS CALL 1-800-346-4175  
MANCHESTER, NH 03109, USA  
FOR PRODUCT INFO = <http://www.fciconnect.com>

**HYLUG™**

CAT NO. YAG-L-TC-LD-, YAG-L-NT-LD-	SCALE NTS
DRAWN: D.FILLION 12-16-92	CHECKED: KAY HENRY 12-18-92
DSGN APPVL: C.PALAGI 12-22-92	MFG APPVL: N/A
Q.A. APPVL: A.LLOYD 12-31-92	MKTG APPVL: T.NELSON 1-12-93
CAD FILE: SE208132-01_5	
MDL REF: N/A	
DRAWING NO. SE208132	REV 5
SHEET 1 OF 18	

**FCI**  
FRAMATOME GROUP  
BURNDY • RACINE • MALICO • SAABE Products

REV. 012000

CONDUCTOR			BOLT SIZE	CATALOG NO.	FIG. NO.	DIMENSIONS							BURNDY INSTALLATION TOOLING (# CRIMPS)													
FLEX	CODE (AWG)	NAVY				B	C	H	K	L	N	O.D.	T REF.	Z MIN.	DIE INDEX	COLOR CODE	MECHANICAL RATCHET			HYDRAULIC			DIELESS (# CRIMPS)	WIRE STRIP LENGTH		
															MD7-34R	OUR840	Y8MRB-1 Y2MR	Y750 Y35 Y39	Y46	Y45						
D	#8 WELD 37/24	#8 AWG	23	#10	YAG8CL-TC10-LD	1	.44 [11]	.41 [10]	—	.21 [5]	1.19 [30]	.25 [6]	.27 [7]	.08 [2]	.27 [7]	49	RED	W8CRT (1)	X8CRT (1)	(1 CRIMP)	UBCRT (1)	UBCRT (1)	UBCRT (1)	MECHANICAL: MY29-11 (1)	1/2"	
					YAG8CL-TC10-LD-45	2			.68 [17]									1.20 [30]	W8CVT (1)	W8CVT (1)						
					YAG8CL-TC10-LD-90	3			.80 [20]									.74 [19]								
	1/4	YAG8CL-TC14-LD	1	.44 [11]	—	.27 [7]	1.32 [34]	.31 [8]	.08 [2]	.33 [8]	49	RED	W8CRT (1)	X8CRT (1)	(1 CRIMP)	UBCRT (1)	UBCRT (1)	UBCRT (1)	MECHANICAL: MY29-11 (1)	1/2"						
		YAG8CL-TC14-LD-45	2		.67 [17]								1.31 [33]	W8CVT (1)	W8CVT (1)											
		YAG8CL-TC14-LD-90	3		.79 [20]								.86 [22]													
	5/16	YAG8CL-TC516-LD	1	.52 [13]	—	.33 [8]	1.38 [35]	.34 [9]	.06 [2]	.36 [9]	49	RED	W8CRT (1)	X8CRT (1)	(1 CRIMP)	UBCRT (1)	UBCRT (1)	UBCRT (1)			MECHANICAL: MY29-11 (1)	1/2"				
		YAG8CL-TC516-LD-45	2		.67 [17]								1.34 [34]	W8CVT (1)	W8CVT (1)											
		YAG8CL-TC516-LD-90	3		.76 [19]								.92 [23]													
	3/8	YAG8CL-TC38-LD	1	.58 [15]	—	.40 [10]	1.51 [38]	.41 [10]	.06 [2]	.42 [11]	49	RED	W8CRT (1)	X8CRT (1)	(1 CRIMP)	UBCRT (1)	UBCRT (1)	UBCRT (1)					MECHANICAL: MY29-11 (1)			1/2"
		YAG8CL-TC38-LD-45	2		.66 [17]								1.45 [37]	W8CVT (1)	W8CVT (1)											
		YAG8CL-TC38-LD-90	3		.75 [19]								1.04 [26]													
1/2	YAG8CL-TC12-LD	1	.71 [18]	—	.53 [13]	1.76 [45]	.53 [13]	.05 [1]	.55 [14]	49	RED	W8CRT (1)	X8CRT (1)	(1 CRIMP)	UBCRT (1)	UBCRT (1)	UBCRT (1)	MECHANICAL: MY29-11 (1)						1/2"		
	YAG8CL-TC12-LD-45	2		.66 [17]								1.67 [42]	W8CVT (1)	W8CVT (1)												
	YAG8CL-TC12-LD-90	3		.72 [18]								1.28 [33]														

SEE SHEET 1 OF 18 FOR NOTES

HYLUG	
CAT NO: YAG8CL-TC-LD-	SIZE FULL SIZE
DRAWN: D FILLION	12-17-92 CHECKED: KAY HENRY 12-18-92
DESIGN APPR: C PALMISTO 12-22-92	MFG APPR: N/A
D.A. APPR: A LLOYD 12-31-92	FIELD APPR: T NELSON 01-12-93
S/D FILE: SE208132-SHT 02	PR. REF: N/A
	M/L REF: N/A
PROJECT: DO 52410	
DRAWING NO. SE208132	
SHEET 2 of 18	

REV.	DATE	DESCRIPTION	BY	C.K'D.

REV. 11/1991

CONDUCTOR			BOLT SIZE	CATALOG NO.	FIG. NO.	DIMENSIONS							INSTALLATION TOOLING (* CRIMPS)																																			
FLEX	CODE (AWG)	NAVY				B	C	H	K	L	N	O.D.	T REF.	Z MIN.	DIE INDEX	COLOR CODE	MECHANICAL RATCHET			HYDRAULIC			DIELESS (* CRIMPS)	WIRE STRIP LENGTH																								
														MD7-34R	OUR840	Y2MR	Y750 Y35 Y39	Y46	Y45																													
#6 WELD 61/24	#6 AWG	30	#10	YA66CL-TC10-LD	1	.50 [13]	.48 [12]	—	.21	1.30 [33]	.25 [16]	.31 [8]	.08 [2]	.27 [7]	7 OR 374	BLUE	W5CRT	X5CRT	(1 CRIMP)	U5CRT	U5CRT	U5CRT	MECHANICAL: MY29-11 (1) HYDRAULIC: Y644M (1)	1/2"																								
				YA66CL-TC10-LD-45	2			.78 [20]	1.26 [32]	W5CRT							X5CRT	U5CRT	U5CRT	U5CRT																												
				YA66CL-TC10-LD-90	3			.90 [23]	.76 [19]	W5CRT							X5CRT	U5CRT	U5CRT	U5CRT																												
			1/4	YA66CL-TC14-LD	1		.48 [12]	—	.27	1.43 [36]	.31 [8]						.08 [2]	.33 [8]	.07 [2]	.36 [9]	7 OR 374	BLUE			W5CRT	X5CRT	(1 CRIMP)	U5CRT	U5CRT	U5CRT	MECHANICAL: MY29-11 (1) HYDRAULIC: Y644M (1)	1/2"																
				YA66CL-TC14-LD-45	2			.78 [20]	1.39 [35]	W5CRT															X5CRT	U5CRT	U5CRT	U5CRT																				
				YA66CL-TC14-LD-90	3			.90 [23]	.88 [22]	W5CRT															X5CRT	U5CRT	U5CRT	U5CRT																				
			5/16	YA66CL-TC516-LD	1		.52 [13]	—	.33	1.49 [38]	.34 [9]														.07 [2]	.36 [9]	.06 [2]	.42 [11]	7 OR 374	BLUE			W5CRT	X5CRT	(1 CRIMP)	U5CRT	U5CRT	U5CRT	MECHANICAL: MY29-11 (1) HYDRAULIC: Y644M (1)	1/2"								
				YA66CL-TC516-LD-45	2			.78 [20]	1.44 [37]	W5CRT																							X5CRT	U5CRT	U5CRT	U5CRT												
				YA66CL-TC516-LD-90	3			.89 [23]	.94 [24]	W5CRT																							X5CRT	U5CRT	U5CRT	U5CRT												
			3/8	YA66CL-TC38-LD	1		.58 [15]	—	.40	1.61 [41]	.41 [10]																						.06 [2]	.42 [11]	.12 [3]	.55 [14]	7 OR 374	BLUE			W5CRT	X5CRT	(1 CRIMP)	U5CRT	U5CRT	U5CRT	MECHANICAL: MY29-11 (1) HYDRAULIC: Y644M (1)	1/2"
				YA66CL-TC38-LD-45	2			.77 [20]	1.54 [39]	W5CRT																															X5CRT	U5CRT	U5CRT	U5CRT				
				YA66CL-TC38-LD-90	3			.87 [22]	1.06 [27]	W5CRT																															X5CRT	U5CRT	U5CRT	U5CRT				
1/2	YA66CL-TC12-LD	1	.75 [19]	—	.53	1.86 [47]	.53 [13]	.12 [3]	.55 [14]	.31 [8]	.08 [2]	.27 [7]	7 OR 374	BLUE	W5CRT	X5CRT							(1 CRIMP)	U5CRT																	U5CRT	U5CRT	MECHANICAL: MY29-11 (1) HYDRAULIC: Y644M (1)	1/2"				
	YA66CL-TC12-LD-45	2		.80 [20]	1.92 [49]	W5CRT									X5CRT	U5CRT							U5CRT	U5CRT																								
	YA66CL-TC12-LD-90	3		.98 [25]	1.34 [34]	W5CRT									X5CRT	U5CRT							U5CRT	U5CRT																								

SEE SHEET 1 OF 18 FOR NOTES

HYLUG <sup>TM</sup>		SCALE
CAT NO: YA66CL-TC-LD-		FULL SIZE
DRW: D FILLION	12-17-92	CHECKED: KAY HENRY 12-18-92
DSGN APPVL: C PALAGI & NESKEY 12-22-92	MFG APPVL: N/A	
S.A. APPVL: A LLOYD 12-31-92	MKTG APPVL: T NELSON 01-12-93	
CAD FILE: SE208132-SHT03	PM REF: N/A	
FRAMATONE CONNECTORS USA INC.	MDL REF: N/A	
BURNDY ELECTRICAL	PROJECT: DO 52410	
MANCHESTER, NH 03108	DRAWING NO.	REV
U. S. A.	SE208132	2
1-800-346-4175	SHEET 3 OF 18	

REV.	DATE	DESCRIPTION	BY	C'K'D.
2	10/10/97	CHANGED "H" & "L" DIMS PER PGN (3251).	KRB	JW
1	4/25/96	H WAS .78 AND L WAS 1.44 FOR 516-45 SIZE PER (PGN 2811)	JWA	JLM

REV. 06/1995

CATALOG NO.	FIG. NO.	CONDUCTOR			BOLT SIZE	DIMENSIONS								INSTALLATION TOOLING (# CRIMPS)																		
		FLEX	CODE (AWG)	NAVY		B	C	H	K	L	N	O.D.	T REF.	Z MIN.	DIE INDEX	COLOR CODE	MECHANICAL RATCHET			HYDRAULIC				DIELESS (# CRIMPS)	WIRE STRIP LENGTH							
																	MD7-34R	OUR840	Y2MR	BCT500	Y750 Y35 Y39	Y46	Y45									
YAG4CL-TC10-LD	1	#4 WELD 91/24 105/24	#4 AWG	40 & 50	#10	.50 [13]	.55 [14]	—	.21 [5]	1.36 [35]	.25 [6]	.38 [10]	.09 [2]	.27 [7]	8 OR 346	GRAY	W4CRT	X4CRT	(2 CRIMP)	W4CRT (1)	U4CRT (1)	U4CRT (1)	U4CRT (1)	MECHANICAL: MY29-11 (1) HYDRAULIC: Y644M (1)	1/2"							
YAG4CL-TC10-LD-45	2					.87 [22]		.21 [5]	1.33 [34]																							
YAG4CL-TC10-LD-90	3					.98 [25]		.21 [5]	.79 [20]																							
YAG4CL-TC14-LD	1					1/4	.55 [14]	—	.27 [7]	1.48 [38]	.31 [8]						.09 [2]	.33 [8]														
YAG4CL-TC14-LD-45	2							.87 [22]	.27 [7]	1.46 [37]																						
YAG4CL-TC14-LD-90	3							.98 [25]	.27 [7]	.92 [23]																						
YAG4CL-TC516-LD	1						5/16	.55 [14]	—	.33 [8]	1.55 [39]								.34 [9]	.09 [2]	.36 [9]											
YAG4CL-TC516-LD-45	2								.87 [22]	.33 [8]	1.52 [39]																					
YAG4CL-TC516-LD-90	3								.98 [25]	.33 [8]	.98 [25]																					
YAG4CL-TC38-LD	1					3/8	.58 [15]	—	.40 [10]	1.67 [42]	.41 [10]								.08 [2]			.42 [11]										
YAG4CL-TC38-LD-45	2							.87 [22]	.40 [10]	1.63 [41]																						
YAG4CL-TC38-LD-90	3							.97 [25]	.40 [10]	1.10 [28]																						
YAG4CL-TC12-LD	1					1/2	.71 [18]	—	.53 [13]	1.92 [49]	.53 [13]												.07 [2]			.55 [14]						
YAG4CL-TC12-LD-45	2							.86 [22]	.53 [13]	1.84 [47]																						
YAG4CL-TC12-LD-90	3							.94 [24]	.53 [13]	1.34 [34]																						
YAG4CL-NT10-LD	1	#4 WELD 91/24 105/24	#4 AWG	40 & 50	#10	.50 [13]	.41 [10]	—	.21 [5]	1.36 [35]	.25 [6]	.38 [10]	.09 [2]	.27 [7]	8 OR 346	GRAY								W4CRT	X4CRT		(2 CRIMP)	W4CRT (1)	U4CRT (1)	U4CRT (1)	U4CRT (1)	1/2"
YAG4CL-NT10-LD-45	2							.87 [22]	.21 [5]	1.33 [34]																						
YAG4CL-NT10-LD-90	3							.98 [25]	.21 [5]	.79 [20]																						

SEE SHEET 1 OF 18 FOR NOTES

HYLUG™	
CAT NO. YAG4CL-TC-LD-, YAG4CL-NT-LD-	SCALE FULL SIZE
DRAWN: D FILLION 12-17-92	CHECKED: KAY HENRY 12-18-92
DSGN APPVL: C PALAGI & HESKEY 12-22-92	MFG APPVL: N/A
Q.A. APPVL: A LLOYD 12-31-92	MKTG APPVL: T NELSON 01-12-93
CAD FILE: SE208132-04_3	PH REF: N/A
FRAMATOME CONNECTORS USA INC. BURNDY ELECTRICAL	
MANCHESTER, NH 03108 U. S. A. 1-800-346-4175	
PROJECT: DO 52410	DRAWING NO. SE208132
REV. 3	SHEET 4 OF 18

REV.	DATE	DESCRIPTION	BY	CHK'D.
3	9/21/99	ADDED 3 NEW CAT. NO. TO BOTTOM OF TABLE PER ECO 5148	BM	PL
2	10/10/97	CHANGED "H" & "L" DIMS PER PCN (3251).	KRB	JW
1	4/25/96	H WAS .87 AND L WAS 1.35 FOR 516-45 SIZE PER (PCN 2811)	JWA	JLM

REV. 061995

DRAWING NO.  
SE208132

CATALOG NO.	CONDUCTOR			BOLT SIZE	FIG. NO.	DIMENSIONS							INSTALLATION TOOLING (# CRIMPS)										WIRE STRIP LENGTH				
	FLEX	CODE (AWG)	NAVY			B	C	H	K	L	N	O.D.	T REF.	Z MIN.	DIE INDEX	COLOR CODE	MECHANICAL			HYDRAULIC				DIELESS (# CRIMPS)			
																	MD7-34R	OUR840	Y2MR	BCT500 YCT500	Y750, Y35 Y39 BAT35, BAT750	Y46			Y45		
YAG2CL-TC10-LD	#2 WELD 125/24 150/24	#2 AWG	60	.63 [16]	.68 [17]	—	.21 [5]	1.52 [39]	.25 [6]	.46 [12]	.10 [3]	.27 [7]	10	BROWN	W2CRT X2CRT W2CVT (1)	X2CRT W2CVT (1)	(2 CRIMP)	W2CRT X2CRT W2CVT (1)	U2CRT (1)	U2CRT (1)	U2CRT (1)	MECHANICAL: MY29-11 (1) HYDRAULIC: Y644M (1) BAT644M (1)	11/16"				
YAG2CL-TC10-LD-45						1.05 [27]		1.47 [37]																			
YAG2CL-TC10-LD-90						1.16 [30]		.84 [21]																			
YAG2CL-TC14-LD	#2 WELD 125/24 150/24	#2 AWG	60	.63 [16]	.68 [17]	—	.27 [7]	1.64 [42]	.31 [8]	.46 [12]	.10 [3]	.33 [8]	10	BROWN	W2CRT X2CRT W2CVT (1)	X2CRT W2CVT (1)	(2 CRIMP)	W2CRT X2CRT W2CVT (1)	U2CRT (1)	U2CRT (1)	U2CRT (1)		MECHANICAL: MY29-11 (1) HYDRAULIC: Y644M (1) BAT644M (1)	11/16"			
YAG2CL-TC14-LD-45						1.05 [27]		1.60 [41]																			
YAG2CL-TC14-LD-90						1.16 [30]		.97 [25]																			
YAG2CL-TC516-LD	#2 WELD 125/24 150/24	#2 AWG	60	.63 [16]	.68 [17]	—	.33 [8]	1.70 [43]	.34 [9]	.46 [12]	.10 [3]	.36 [9]	10	BROWN	W2CRT X2CRT W2CVT (1)	X2CRT W2CVT (1)	(2 CRIMP)	W2CRT X2CRT W2CVT (1)	U2CRT (1)	U2CRT (1)	U2CRT (1)			MECHANICAL: MY29-11 (1) HYDRAULIC: Y644M (1) BAT644M (1)	11/16"		
YAG2CL-TC516-LD-45						1.05 [27]		1.66 [42]																			
YAG2CL-TC516-LD-90						1.16 [30]		1.03 [26]																			
YAG2CL-TC38-LD	#2 WELD 125/24 150/24	#2 AWG	60	.63 [16]	.68 [15]	—	.40 [10]	1.83 [46]	.41 [10]	.46 [12]	.10 [3]	.42 [11]	10	BROWN	W2CRT X2CRT W2CVT (1)	X2CRT W2CVT (1)	(2 CRIMP)	W2CRT X2CRT W2CVT (1)	U2CRT (1)	U2CRT (1)	U2CRT (1)				MECHANICAL: MY29-11 (1) HYDRAULIC: Y644M (1) BAT644M (1)	11/16"	
YAG2CL-TC38-LD-45						1.05 [27]		1.78 [45]																			
YAG2CL-TC38-LD-90						1.16 [30]		1.15 [29]																			
YAG2CL-TC12-LD	#2 WELD 125/24 150/24	#2 AWG	60	.63 [16]	.73 [18]	—	.53 [13]	2.12 [54]	.53 [13]	.46 [12]	.09 [2]	.55 [14]	10	BROWN	W2CRT X2CRT W2CVT (1)	X2CRT W2CVT (1)	(2 CRIMP)	W2CRT X2CRT W2CVT (1)	U2CRT (1)	U2CRT (1)	U2CRT (1)					MECHANICAL: MY29-11 (1) HYDRAULIC: Y644M (1) BAT644M (1)	11/16"
YAG2CL-TC12-LD-45						1.07 [27]		2.03 [52]																			
YAG2CL-TC12-LD-90						1.17 [30]		1.40 [35]																			

REV. 012000

TO ORDER BURNDY PRODUCTS CALL 1-800-346-4175  
MANCHESTER, NH 03109, USA  
FOR PRODUCT INFO = <http://www.fciconnect.com>

**HYLUG™**

CAT NO: YAG2CL-TC-LD-	(TABLE)	SCALE	N/A
DRAWN: D FILLION	12-17-92	CHECKED: K HENRY	12-18-92
DSGN APPVL: C PALLAGI	12-22-92	MFG APPVL: N/A	
Q.A. APPVL: A LLOYD	12-31-92	MKTG APPVL: T NELSON	1-12-93
CAD FILE: SE208132-05_1		MDL REF: N/A	
DRAWING NO.		REV	
SE208132		1	
SHEET 5 OF 18			

**FCI**  
FRAMATOME GROUP  
BURNDY • RACINE • MALICO • SAAE Products

1	3/1/00	ADDED BCT500 & YCT500 COL. 'S TO TABLE AND CHNG'D 'C' COL. DIM. .77 TO .73	5448	PL	DB
REV.	DATE	DESCRIPTION	ECO	BY	C'K'D.

SE208132

CATALOG NO.	CONDUCTOR			BOLT SIZE	FIG. NO.	DIMENSIONS							INSTALLATION TOOLING (# CRIMPS)											
	FLEX	CODE (AWG)	NAVY $\triangle$			B	C	H	K	L	N	O.D.	T REF.	Z MIN.	DIE INDEX	COLOR CODE	MECHANICAL RATCHET		HYDRAULIC			DIELESS (# CRIMPS)	WIRE STRIP LENGTH	
																	MD7-34R	OURB40	Y750 Y35 Y39	Y46 $\triangle$	Y45 $\triangle$			
YAG1CL-TC10-LD	#1 WELD 175/24		75	.69 [18]	.75 [19]	—		1.61 [41]		.25 [6]	.51 [13]	.12 [3]		.27 [7]	11 OR 375	GREEN	W1CRT X1CRT W1CVT (1)	X1CRT W1CVT (1)	U1CRT (1)	U1CRT (1)	U1CRT (1)		11/16"	
YAG1CL-TC10-LD-45	↑	#1 AWG	↑	↑	↑	1.16 [29]	.21 [5]	1.57 [40]			↑	↑		↑	↑	↑	↑	↑	↑	↑	↑		↑	
YAG1CL-TC10-LD-90	↑	↑	↑	↑	↑	1.29 [33]		.88 [22]			↑	↑		↑	↑	↑	↑	↑	↑	↑	↑		↑	
YAG1CL-TC14-LD	↑	↑	↑			—		1.73 [44]																
YAG1CL-TC14-LD-45	↑	↑	↑	1/4	2	1.16 [29]	.27 [7]	1.70 [43]		.31 [8]														
YAG1CL-TC14-LD-90	↑	↑	↑	3	3	1.29 [33]		1.00 [25]																
YAG1CL-TC516-LD	↑	↑	↑			—		1.80 [46]																
YAG1CL-TC516-LD-45	↑	↑	↑	5/16	2	1.16 [29]	.33 [8]	1.76 [45]		.34 [9]														
YAG1CL-TC516-LD-90	↑	↑	↑	3	3	1.29 [33]		1.07 [27]																
YAG1CL-TC38-LD	↑	↑	↑			—		1.92 [49]																
YAG1CL-TC38-LD-45	↑	↑	↑	3/8	2	1.16 [29]	.40 [10]	1.89 [48]		.41 [10]														
YAG1CL-TC38-LD-90	↑	↑	↑	3	3	1.29 [33]		1.19 [30]																
YAG1CL-TC12-LD	↑	↑	↑			—		2.17 [55]																
YAG1CL-TC12-LD-45	#1 WELD 175/24	#1 AWG	75	1/2	2	1.16 [29]	.53 [13]	2.14 [54]		.53 [13]	.51 [13]	.12 [3]		.55 [14]	11 OR 375	GREEN	W1CRT X1CRT W1CVT (1)	X1CRT W1CVT (1)	U1CRT (1)	U1CRT (1)	U1CRT (1)		11/16"	
YAG1CL-TC12-LD-90	↑	↑	↑	3	3	1.29 [33]		1.44 [37]			↑	↑		↑	↑	↑	↑	↑	↑	↑	↑		↑	

MECHANICAL:  
MY29-11 (1)  
HYDRAULIC:  
Y644M (1)

SEE SHEET 1 OF 18 FOR NOTES

HYLUG™		SCALE
CAT NO:	YAG1CL-TC-LD-	FULL SIZE
DRAWN:	D FILLION	12-17-92
DESIGN APPVL:	C PALANI	9 HENRY 12-22-92
CHKD APPVL:	A LLOYD	12-31-92
CAD FILE:	SE208132-06-1	
FRAMATONE CONNECTORS USA INC.	BURNDY ELECTRICAL	
PROJECT:	DO 52410	
DRAWING NO:	SE208132	
REV	1	

REV.	DATE	DESCRIPTION	BY	C.K.D.
1	12/16/98	ADDED CAT. NOS. YAG1CL-TC10-LD, YAG1CL-TC10-45, YAG1CL-TC10-90, YAG1CL-TC14-LD, YAG1CL-TC14-45, YAG1CL-TC14-90, YAG1CL-TC516-LD, YAG1CL-TC516-45, YAG1CL-TC516-90, YAG1CL-TC38-LD, YAG1CL-TC38-45, YAG1CL-TC38-90, YAG1CL-TC12-LD, YAG1CL-TC12-45, YAG1CL-TC12-90.	KRB	PL

MANCHESTER, NH 03106  
U. S. A.  
1-800-346-4175

REV  
1  
SHEET 6 OF 18

REV. 061895

CONDUCTOR			BOLT SIZE	CATALOG NO.	FIG. NO.	DIMENSIONS							BURNDY INSTALLATION TOOLING (# CRIMPS)										
FLEX	CODE (AWG)	NAVY				B	C	H	K	L	N	O.D.	T REF.	Z MIN.	DIE INDEX	COLOR CODE	MECHANICAL RATCHET		HYDRAULIC			DIELESS (# CRIMPS)	WIRE STRIP LENGTH
																	MD7-34R	OUR840	Y750 Y35 Y39	Y46	Y45		
1/0 WELD 275/24	1/0 AWG	100	1/4	YAG25L-TC14-LD	1	.69 [18]	.83 [21]	—	.27 [7]	1.77 [45]	.31 [8]	.56 [14]	.12 [3]	.33 [8]	12 OR 348	PINK	W25RT	X25RT	U25RT	U25RT	U25RT	MECHANICAL: MY29-11 (1) HYDRAULIC: Y644M (1)	11/16"
				YAG25L-TC14-LD-45	2	1.22 [31]	1.73 [44]	.33 [8]	1.84 [47]	.34 [9]	W25VT						X25VT	UR4204WE	UR4204WE	UR4204WE			
				YAG25L-TC14-LD-90	3	1.33 [34]	1.03 [26]				W25RT						X25RT	UR4204WE	UR4204WE	UR4204WE			
			YAG25L-TC516-LD	1	—	1.84 [47]	.36 [9]				1.96 [50]						.41 [10]	W25RT	X25RT	UR4204WE	UR4204WE		
			YAG25L-TC516-LD-45	2	1.22 [31]	1.79 [45]		W25VT	X25VT	UR4204WE								UR4204WE	UR4204WE				
			YAG25L-TC516-LD-90	3	1.33 [34]	1.09 [28]		W25RT	X25RT	UR4204WE								UR4204WE	UR4204WE				
			3/8	YAG25L-TC38-LD	1	—	1.96 [50]	.42 [11]	2.21 [56]	.53 [13]	W25RT						X25RT	UR4204WE	UR4204WE	UR4204WE			
				YAG25L-TC38-LD-45	2	1.22 [31]	1.92 [49]				W25VT						X25VT	UR4204WE	UR4204WE	UR4204WE			
				YAG25L-TC38-LD-90	3	1.33 [34]	1.22 [31]				W25RT						X25RT	UR4204WE	UR4204WE	UR4204WE			
			1/2	YAG25L-TC12-LD	1	—	2.21 [56]	.55 [14]	2.17 [55]	.53 [13]	W25RT						X25RT	UR4204WE	UR4204WE	UR4204WE			
				YAG25L-TC12-LD-45	2	1.22 [31]	1.47 [37]				W25VT						X25VT	UR4204WE	UR4204WE	UR4204WE			
				YAG25L-TC12-LD-90	3	1.33 [34]	1.47 [37]				W25RT						X25RT	UR4204WE	UR4204WE	UR4204WE			

SEE SHEET 1 OF 18 FOR NOTES

HYLUG	
CAT NO: YAG25L-TC-LD-	SIZE
DRWN: D FILLION	FILE SIZE
DESIGN APPR: C PALANI 8 MERRY 12-22-92	CHECKED: KAY HENRY 12-18-92
DRAWN: A LLOYD 12-31-92	REV: N/A
SIC FILE: SE208132-SHT07	PROJECT: DO 52410
<b>BURNDY</b>	
on FCI Company	
U.S. ELECTRICAL DIVISION	
MANCHESTER, NH 03108	
REV. DATE DESCRIPTION BY C.K'D.	SE208132 0
SHEET 7 of 18	

REV. 11/98

A

B

C

D

CONDUCTOR			BOLT SIZE	CATALOG NO.	FIG. NO.	DIMENSIONS							BURNDY INSTALLATION TOOLING (# CRIMPS)										
FLEX	CODE (AWG)	NAVY				B	C	H	K	L	N	O.D.	T REF.	Z MIN.	DIE INDEX	COLOR CODE	MECHANICAL RATCHET		HYDRAULIC			DIELESS (# CRIMPS)	WIRE STRIP LENGTH
																	MD7-34R	OURB40	Y750 Y35 Y39	Y46	Y45		
2/O WELD 325/24	2/O AWG	125	#10	YAG26L-TC10-LD	1	.81 [21]	.93 [24]	—	1.82 [46]	.25 [16]	.63 [16]	.13 [3]	.27 [7]	13	BLACK	W26RT X26RT W26VT (2)	X26RT W26VT (2)	U26RT UR5184WE (1)	U26RT UR5184WE (1)	U26RT UR5184WE (1)	MECHANICAL: MY29-11 (1) HYDRAULIC: Y644M (1)	13/16"	
				YAG26L-TC10-LD-45	2	1.40 [35]	.21 [5]	1.75 [44]	.31 [8]	.36 [9]	.42 [11]	.55 [14]	.67 [17]	13	BLACK	W26RT X26RT W26VT (2)	X26RT W26VT (2)	U26RT UR5184WE (1)	U26RT UR5184WE (1)	U26RT UR5184WE (1)			
				YAG26L-TC10-LD-90	3	1.52 [39]	1.95 [49]	1.07 [27]															
1/4	YAG26L-TC14-LD	1	—	1.95 [49]	.31 [8]	.36 [9]	.42 [11]	.55 [14]													.67 [17]	13	BLACK
	YAG26L-TC14-LD-45	2	1.40 [35]	.27 [7]					1.87 [47]														
	YAG26L-TC14-LD-90	3	1.52 [39]	1.07 [27]																			
5/16	YAG26L-TC516-LD	1	—	2.01 [51]	.31 [8]	.36 [9]	.42 [11]	.55 [14]	.67 [17]	13	BLACK	W26RT X26RT W26VT (2)	X26RT W26VT (2)	U26RT UR5184WE (1)	U26RT UR5184WE (1)	U26RT UR5184WE (1)							
	YAG26L-TC516-LD-45	2	1.40 [35]	.33 [8]													1.93 [49]						
	YAG26L-TC516-LD-90	3	1.52 [39]	1.13 [29]																			
3/8	YAG26L-TC38-LD	1	—	2.13 [54]	.31 [8]	.36 [9]	.42 [11]	.55 [14]	.67 [17]	13	BLACK	W26RT X26RT W26VT (2)	X26RT W26VT (2)	U26RT UR5184WE (1)	U26RT UR5184WE (1)	U26RT UR5184WE (1)							
	YAG26L-TC38-LD-45	2	1.40 [35]	.40 [10]													2.06 [52]						
	YAG26L-TC38-LD-90	3	1.52 [39]	1.26 [32]																			
1/2	YAG26L-TC12-LD	1	—	2.38 [61]	.31 [8]	.36 [9]	.42 [11]	.55 [14]	.67 [17]	13	BLACK	W26RT X26RT W26VT (2)	X26RT W26VT (2)	U26RT UR5184WE (1)	U26RT UR5184WE (1)	U26RT UR5184WE (1)							
	YAG26L-TC12-LD-45	2	1.40 [35]	.53 [13]													2.31 [59]						
	YAG26L-TC12-LD-90	3	1.52 [39]	1.51 [38]																			
5/8	YAG26L-TC58-LD	1	—	2.63 [67]	.31 [8]	.36 [9]	.42 [11]	.55 [14]	.67 [17]	13	BLACK	W26RT X26RT W26VT (2)	X26RT W26VT (2)	U26RT UR5184WE (1)	U26RT UR5184WE (1)	U26RT UR5184WE (1)							
	YAG26L-TC58-LD-45	2	1.40 [35]	.69 [17]													2.56 [65]						
	YAG26L-TC58-LD-90	3	1.52 [39]	1.76 [45]																			
3/4	YAG26L-TC34-LD	1	—	2.89 [73]	.31 [8]	.36 [9]	.42 [11]	.55 [14]	.67 [17]	13	BLACK	W26RT X26RT W26VT (2)	X26RT W26VT (2)	U26RT UR5184WE (1)	U26RT UR5184WE (1)	U26RT UR5184WE (1)							
	YAG26L-TC34-LD-45	2	1.44 [37]	.81 [21]													2.75 [70]						
	YAG26L-TC34-LD-90	3	1.55 [39]	1.93 [49]																			

SEE SHEET 1 OF 18 FOR NOTES

HYLUG	
CAT NO: YAG26L-TC-LD-	SCALE
DRAWN: D FILLION	12-17-92
DESIGN APPR: C PALANI	CHECKED: KAY HENRY
DRAWN APPR: A LLOYD	12-31-92
S/D FILE: SE208132-SHT 08	REV: N/A
PROJECT: DO 52410	
DRAWING NO. SE208132	
SHEET 8 OF 18	

REV.	DATE	DESCRIPTION	BY	C.K.D.

REV. 11/99



CONDUCTOR			BOLT SIZE	CATALOG NO.	FIG. NO.	DIMENSIONS							BURNDY INSTALLATION TOOLING (# CRIMPS)															
FLEX	CODE (AWG)	NAVY				B	C	H	K	L	N	O.D.	T REF.	Z MIN.	DIE INDEX	COLOR CODE	MECHANICAL RATCHET		HYDRAULIC			DIELESS (# CRIMPS)	WIRE STRIP LENGTH					
																	MD7-34R	OUR840	Y750 Y35 Y39	Y46	Y45							
3/0 WELD 450/24	3/0 AWG	150	#10	YA627L-TC10-LD	1	1.00 [25]	1.03 [26]	—	.21 [5]	2.05 [52]	.25 [16]	.70 [18]	.14 [4]	.27 [7]	14	ORANGE	W27RT (2)	X27RT (3)	U27RT (1)	U27RT (1)	U27RT (1)	MECHANICAL: MY29-11 (1) HYDRAULIC: Y644M (1)	1"					
				YA627L-TC10-LD-45	2			1.61 [41]		1.93 [49]							W27RT (3)	W27VT (2)	U27RT (1)	U27RT (1)	U27RT (1)							
				YA627L-TC10-LD-90	3			1.77 [45]		.98 [25]							W27RT (2)	W27VT (2)										
1/4	150	#10	YA627L-TC14-LD	1	1.00 [25]	1.03 [26]	—	.27 [7]	2.18 [55]	.31 [8]	.70 [18]	.14 [4]	.33 [8]	14	ORANGE	W27RT (2)	X27RT (3)	U27RT (1)	U27RT (1)	U27RT (1)	MECHANICAL: MY29-11 (1) HYDRAULIC: Y644M (1)		1"					
			YA627L-TC14-LD-45	2			1.61 [41]		2.06 [52]															U27RT (1)	U27RT (1)	U27RT (1)		
			YA627L-TC14-LD-90	3			1.77 [45]		1.10 [28]																			
5/16	150	#10	YA627L-TC516-LD	1	1.00 [25]	1.03 [26]	—	.33 [8]	2.24 [57]	.34 [9]	.70 [18]	.14 [4]	.36 [9]	14	ORANGE	W27RT (2)	X27RT (3)	U27RT (1)	U27RT (1)	U27RT (1)			MECHANICAL: MY29-11 (1) HYDRAULIC: Y644M (1)	1"				
			YA627L-TC516-LD-45	2			1.61 [41]		2.12 [54]																U27RT (1)	U27RT (1)	U27RT (1)	
			YA627L-TC516-LD-90	3			1.77 [45]		1.17 [30]																			
3/8	150	#10	YA627L-TC38-LD	1	1.00 [25]	1.03 [26]	—	.40 [10]	2.37 [60]	.41 [10]	.70 [18]	.14 [4]	.42 [11]	14	ORANGE	W27RT (2)	X27RT (3)	U27RT (1)	U27RT (1)	U27RT (1)				MECHANICAL: MY29-11 (1) HYDRAULIC: Y644M (1)	1"			
			YA627L-TC38-LD-45	2			1.61 [41]		2.24 [57]																	U27RT (1)	U27RT (1)	U27RT (1)
			YA627L-TC38-LD-90	3			1.77 [45]		1.29 [33]																			
1/2	150	#10	YA627L-TC12-LD	1	1.00 [25]	1.03 [26]	—	.53 [13]	2.62 [66]	.53 [13]	.70 [18]	.14 [4]	.55 [14]	14	ORANGE	W27RT (2)	X27RT (3)	U27RT (1)	U27RT (1)	U27RT (1)		MECHANICAL: MY29-11 (1) HYDRAULIC: Y644M (1)			1"			
			YA627L-TC12-LD-45	2			1.61 [41]		2.49 [63]																	U27RT (1)	U27RT (1)	U27RT (1)
			YA627L-TC12-LD-90	3			1.77 [45]		1.54 [39]																			

SEE SHEET 1 OF 18 FOR NOTES

<b>HYLUG</b>	
CAT NO: YAG27L-TC-LD-	SCALE
DRAWN: D FILLION	12-17-92
DESIGN APPR: C PALABO	CHECKED: KAY HENRY
DRAWN APPR: A LLOYD	DESIGN APPR: T NELSON
SIG FILE: SE208132-SHT09	PROJECT: DO 52410
<b>BURNDY</b>	
U.S. ELECTRICAL DIVISION MANCHESTER, NH 03106	
REV. DATE DESCRIPTION BY C.K'D.	DRAWING NO. SE208132 SHEET 9 OF 18

REV. 11/1991

CONDUCTOR			BOLT SIZE	CATALOG NO.	FIG. NO.	DIMENSIONS										BURNDY INSTALLATION TOOLING (# CRIMPS)														
FLEX	CODE (AWG)	NAVY				B	C	H	K	L	N	O.D.	T REF.	Z MIN.	DIE INDEX	COLOR CODE	MECHANICAL RATCHET		HYDRAULIC			DIELESS (# CRIMPS)	WIRE STRIP LENGTH							
																	MD7-34R	OUR840	Y750 Y35 Y39	Y46	Y45									
4/0 WELD 550/24	4/0 AWG	200	1/4	YAG28L-TC14-LD	1	1.03 [26]	1.14 [29]	---	.27 [7]	2.26 [57]	.31 [8]	.77 [20]	.15 [4]	.33 [8]	15	PURPLE	W28RT (2)	X28RT (3)	U28RT	U28RT	U28RT	MECHANICAL: MY29-11(1) HYDRAULIC: Y644M (1)	1-1/16"							
				YAG28L-TC14-LD-45	2			1.72 [44]		2.13 [54]							W28RT (2)	W28VT (2)	UR4205WE (1)	UR4205WE (1)	UR4205WE (1)									
				YAG28L-TC14-LD-90	3			1.87 [47]		1.14 [29]							W28RT (2)	W28VT (2)	UR4205WE (1)	UR4205WE (1)	UR4205WE (1)									
				5/16	YAG28L-TC516-LD			1		---							2.32 [59]	.34 [9]	.77 [20]	.15 [4]	.36 [9]			15	PURPLE	W28RT (2)	X28RT (3)	U28RT	U28RT	U28RT
					YAG28L-TC516-LD-45			2		1.72 [44]							2.19 [56]									W28RT (2)	W28VT (2)	UR4205WE (1)	UR4205WE (1)	UR4205WE (1)
					YAG28L-TC516-LD-90			3		1.87 [47]							1.21 [31]									W28RT (2)	W28VT (2)	UR4205WE (1)	UR4205WE (1)	UR4205WE (1)
				3/8	YAG28L-TC38-LD			1		---							2.45 [62]	.41 [10]	.77 [20]	.15 [4]	.42 [11]			15	PURPLE	W28RT (2)	X28RT (3)	U28RT	U28RT	U28RT
					YAG28L-TC38-LD-45			2		1.72 [44]							2.32 [59]									W28RT (2)	W28VT (2)	UR4205WE (1)	UR4205WE (1)	UR4205WE (1)
					YAG28L-TC38-LD-90			3		1.87 [47]							1.33 [34]									W28RT (2)	W28VT (2)	UR4205WE (1)	UR4205WE (1)	UR4205WE (1)
			1/2	YAG28L-TC12-LD	1	---	2.70 [69]	.53 [13]	.77 [20]	.15 [4]	.55 [14]	15	PURPLE	W28RT (2)	X28RT (3)	U28RT	U28RT	U28RT												
				YAG28L-TC12-LD-45	2	1.72 [44]	2.57 [65]							W28RT (2)	W28VT (2)	UR4205WE (1)	UR4205WE (1)	UR4205WE (1)												
				YAG28L-TC12-LD-90	3	1.87 [47]	1.58 [40]							W28RT (2)	W28VT (2)	UR4205WE (1)	UR4205WE (1)	UR4205WE (1)												
5/8	YAG28L-TC58-LD	1	---	2.95 [75]	.66 [17]	.77 [20]	.15 [4]	.67 [17]	15	PURPLE	W28RT (2)	X28RT (3)	U28RT	U28RT	U28RT															
	YAG28L-TC58-LD-45	2	1.72 [44]	2.82 [72]							W28RT (2)	W28VT (2)	UR4205WE (1)	UR4205WE (1)	UR4205WE (1)															
	YAG28L-TC58-LD-90	3	1.87 [47]	1.83 [46]							W28RT (2)	W28VT (2)	UR4205WE (1)	UR4205WE (1)	UR4205WE (1)															
3/4	YAG28L-TC34-LD	1	---	3.14 [80]	.75 [19]	.77 [20]	.15 [4]	.77 [19]	15	PURPLE	W28RT (2)	X28RT (3)	U28RT	U28RT	U28RT															
	YAG28L-TC34-LD-45	2	1.72 [44]	3.00 [76]							W28RT (2)	W28VT (2)	UR4205WE (1)	UR4205WE (1)	UR4205WE (1)															
	YAG28L-TC34-LD-90	3	1.87 [47]	2.02 [51]							W28RT (2)	W28VT (2)	UR4205WE (1)	UR4205WE (1)	UR4205WE (1)															

SEE SHEET 1 OF 18 FOR NOTES


HYLUG	
CAT NO: YAG28L-TC-LD-	SIZE
DRAWN D FILLION	12-17-92
DESIGN APPL. C PALANI & HENRY 12-22-92	CHKD APPL. N/A
DRAWN APPL. A LLOYD 12-31-92	CHKD APPL. T NELSON 01-12-93
S/D FILE: SE208132-SHT10	REV. N/A
PROJECT: DO 52410	
DRAWING NO. SE208132	
SHEET 10 OF 18	

REV.	DATE	DESCRIPTION	BY	C.K.D.

REV. 11.1991

CONDUCTOR			BOLT SIZE	CATALOG NO.	FIG. NO.	DIMENSIONS							BURNDY INSTALLATION TOOLING (# CRIMPS)												
FLEX	CODE (AWG)	NAVY				B	C	H	K	L	N	O.D.	T REF.	Z MIN.	DIE INDEX	COLOR CODE	MECHANICAL RATCHET MD7-34R	HYDRAULIC			DIELESS (# CRIMPS)	WIRE STRIP LENGTH			
			Y750	Y46	Y45																				
250 FLEX CLASS G: 259 STR  CLASS H: 427 STR	---	---	5/16	YAG30L-TC516-LD	1	1.03 [26]	1.20 [30]	--	2.34 [60]	.34 [9]	.81 [21]	.16 [4]	.36 [9]	16	YELLOW	W29VT (2)	U29RT (1)	U29RT (1)	U29RT (1)	HYDRAULIC: Y644M (1)	1-1/16"				
				YAG30L-TC516-LD-45	2			1.77 [45]	.33 [8]								2.25 [57]	.42 [11]	.55 [14]			.67 [17]	U29RT (1)	U29RT (1)	U29RT (1)
				YAG30L-TC516-LD-90	3			1.92 [49]									1.24 [31]								
			3/8	YAG30L-TC38-LD	1			--	2.47 [63]	.41 [10]							.55 [14]	.67 [17]	U29RT (1)			U29RT (1)	U29RT (1)		
				YAG30L-TC38-LD-45	2			1.77 [45]	.40 [10]															2.37 [60]	
				YAG30L-TC38-LD-90	3			1.92 [49]																1.36 [35]	
			1/2	YAG30L-TC12-LD	1			--	2.72 [69]	.53 [13]							.67 [17]	U29RT (1)	U29RT (1)			U29RT (1)			
				YAG30L-TC12-LD-45	2			1.77 [45]	.53 [13]														2.62 [67]		
				YAG30L-TC12-LD-90	3			1.92 [49]															1.61 [41]		
			5/8	YAG30L-TC58-LD	1			--	2.97 [75]	.69 [17]							.67 [17]	U29RT (1)	U29RT (1)			U29RT (1)			
				YAG30L-TC58-LD-45	2			1.77 [45]	.69 [17]														2.87 [73]		
				YAG30L-TC58-LD-90	3			1.92 [49]															1.86 [47]		
3/4	YAG30L-TC34-LD	1	--	3.16 [80]	.81 [21]	.77 [19]	U29RT (1)	U29RT (1)	U29RT (1)																
	YAG30L-TC34-LD-45	2	1.77 [45]	.81 [21]						3.06 [78]															
	YAG30L-TC34-LD-90	3	1.92 [49]							2.05 [52]															

SEE SHEET 1 OF 18 FOR NOTES

HYLUG	
CAT NO: <b>YAG30L-TC-LD-</b>	SCALE
DESIGN APPR. C PALMISTO 12-22-92	CHKD BY KAY HENRY 12-18-92
DRAWN BY D FILLION	DATE 12-17-92
DESIGN APPR. A LLOYD 12-31-92	CHKD BY T NELSON 01-12-93
SIB FILE: SE208132-SHT11	REV. N/A
 BURNDY on FCI Company U.S. ELECTRICAL DIVISION MANCHESTER, NH 03108	
PROJECT: DO 52410	DRAWING NO. <b>SE208132</b>
SHEET 11	of 18

REV.	DATE	DESCRIPTION	BY	C.K.D.

REV. 11/1991

Fri 1/09/98 10:02:54

J WALTERS / MAILSTOP=202 /

CONDUCTOR			BOLT SIZE	CATALOG NO.	FIG. NO.	DIMENSIONS							INSTALLATION TOOLING (# CRIMPS)													
FLEX	CODE (AWG)	NAVY				B	C	H	K	L	N	O.D.	T REF.	Z MIN.	DIE INDEX	COLOR CODE	MECHANICAL RATCHET MD7-34R	HYDRAULIC			DIELESS (# CRIMPS)	WIRE STRIP LENGTH				
															Y750 Y35 Y39	Y46	Y45									
250 FLEX 637/24 CLASS T,K,M			1/4	YAG31L-TC14-LD	1	1.06 [27]	1.29 [33]	---		2.35 [60]		.31 [8]	.88 [22]	.18 [4]	.33 [8]	17 OR 298	WHITE	W30VT (2)	U30RT (2)	U30RT (2)	U30RT (2)		1-1/8"			
				YAG31L-TC14-LD-45	2			1.87 [47]	.27 [7]	2.26 [57]																
				YAG31L-TC14-LD-90	3			2.01 [51]		1.19 [30]																
				YAG31L-TC516-LD	1			---			2.41 [61]															
				YAG31L-TC516-LD-45	2			1.87 [47]	.33 [8]	2.32 [59]		.34 [9]														
				YAG31L-TC516-LD-90	3			2.01 [51]		1.27 [32]																
				YAG31L-TC38-LD	1			---			2.53 [64]															
				YAG31L-TC38-LD-45	2			1.87 [47]	.40 [10]	2.45 [62]		.41 [10]														
				YAG31L-TC38-LD-90	3			1.29 [33]		2.01 [51]		1.40 [36]														
				YAG31L-NT12-LD	1			---			2.78 [71]															
				YAG31L-NT12-LD-45	2			.96 [24]		1.87 [47]	.53 [13]	2.70 [69]		.53 [13]				.55 [14]								
				YAG31L-NT12-LD-90	3					2.01 [51]		1.65 [42]														
YAG31L-TC12-LD	1			---				2.78 [71]																		
YAG31L-TC12-LD-45	2			1.29 [33]		1.87 [47]	.53 [13]	2.70 [69]		.53 [13]				.55 [14]												
YAG31L-TC12-LD-90	3					2.01 [51]		1.65 [42]																		
YAG31L-TC58-LD	1			---				3.03 [77]																		
YAG31L-TC58-LD-45	2					1.87 [47]	.69 [17]	2.95 [75]		.66 [17]				.67 [17]												
YAG31L-TC58-LD-90	3					2.01 [51]		1.90 [48]																		
YAG31L-TC34-LD	1			---				3.22 [82]																		
YAG31L-TC34-LD-45	2					1.87 [47]	.81 [21]	3.13 [80]		.75 [19]				.77 [19]												
YAG31L-TC34-LD-90	3			1.06 [27]		2.01 [51]		2.09 [53]				.88 [22]	.18 [4]	.77 [19]	17 OR 298	WHITE	W30VT (2)	U30RT (2)	U30RT (2)	U30RT (2)		1-1/8"				

HYDRAULIC:  
Y644M (1)

SEE SHEET 1 OF 18 FOR NOTES

2		1/6/98	STANDARDIZE "B" DIM. & CORRESPONDING STRIP PER SPEC. REVISION	BM	DB
1		5/7/97	REVISED CAT. NO. YAG31L-NT12-LD & YAG31L-TC14-LD SERIES TO BE USED FOR ALL OTHER "B" DIM. IN ORDERING PER CAT. NO.	KRB	JLM
REV.	DATE	DESCRIPTION		BY	C.K'D.

<b>HYLUG™</b>					
PART NO. YAG31L-TC-LD-					
REVISION 12-17-98					
DRAWN BY: JLM					
CHECKED BY: JLM					
APPROVED BY: JLM					
DATE: 12-17-98					
PROJECT: DO 52443					
DRAWING NO. 52443					
SHEET 12 OF 18					

8/12/98 16:52:54

P. LAPONIUS / MAILSTOP=202 /

CONDUCTOR		BOLT SIZE	CATALOG NO.	FIG. NO.	DIMENSIONS									DIE INDEX		COLOR CODE	MECHANICAL RATCHET		HYDRAULIC			DIELESS (# CRIMPS)	WIRE STRIP LENGTH
FLEX	CODE (AVG)				B	C	H	K	L	N	O.D.	T REF.	Z MIN.	18 OR 324	18 OR 324		MD7-34R	Y750 Y35 Y39	Y46	Y45	HYDRAULIC Y644M (1)		
313.1 kcmil 775/24 (300 kcmil FLEX)	—	3/8	YA632L-TC38-LD	1	1.19 [30]	1.40 [36]	—	.40 [10]	2.72 [69]	.41 [10]	.95 [24]	.19 [5]	.42 [11]	18 OR 324	RED	W31VT (2)	U31RT (2)	U31RT (2)	U31RT (2)	HYDRAULIC Y644M (1)	1-1/4"		
			YA632L-TC38-LD-45	2			2.06 [52]		2.61 [66]														
			YA632L-TC38-LD-90	3			2.23 [57]		1.45 [37]														
313.1 kcmil 775/24 (300 kcmil FLEX)	—	1/2	YA632L-TC12-LD	1	1.19 [30]	1.40 [36]	—	.53 [13]	2.97 [75]	.53 [13]	.95 [24]	.19 [5]	.55 [14]	18 OR 324	RED	W31VT (2)	U31RT (2)	U31RT (2)	U31RT (2)	HYDRAULIC Y644M (1)	1-1/4"		
			YA632L-TC12-LD-45	2			2.06 [52]		2.66 [73]														
			YA632L-TC12-LD-90	3			2.23 [57]		1.70 [43]														
313.1 kcmil 775/24 (300 kcmil FLEX)	—	5/8	YA632L-TC58-LD	1	1.19 [30]	1.40 [36]	—	.69 [17]	3.22 [82]	.66 [17]	.95 [24]	.19 [5]	.67 [17]	18 OR 324	RED	W31VT (2)	U31RT (2)	U31RT (2)	U31RT (2)	HYDRAULIC Y644M (1)	1-1/4"		
			YA632L-TC58-LD-45	2			2.06 [52]		3.11 [79]														
			YA632L-TC58-LD-90	3			2.23 [57]		1.95 [49]														

SEE SHEET 1 OF 18 FOR NOTES

HYLUG™	
Part No. YA632L-TC-LD-	REV. 1
DATE 6/24/97	DESCRIPTION
BY KRB	CHK'D. KLH
REV. 1	DATE 6/24/97
DESCRIPTION	
BY KRB	CHK'D. KLH
HYLUG™	
REV. 1	

1	6/24/97	ADDED YAG32L-TC58 SERIES CAT. NOS PER FOR (33290 & 07821-45)	KRB	KLH
REV.	DATE	DESCRIPTION	BY	CHK'D.

9E208132

D

C

B

A

D

C

B

A

CONDUCTOR			BOLT SIZE	CATALOG NO.	FIG. NO.	DIMENSIONS							INSTALLATION TOOLING (# CRIMPS)															
FLEX	CODE (AWG)	NAVY				B	C	H	K	L	N	O.D.	T REF.	Z MIN.	DIE INDEX	COLOR CODE	MECHANICAL RATCHET MD7-34R	HYDRAULIC			DIELESS (# CRIMPS)	WIRE STRIP LENGTH						
																		Y750	Y35	Y39			Y46	Y45				
373.7 kcmil 925/24 (350 kcmil FLEX)	—	—	5/16	YAG34L-TC516-LD	1	1.27 [32]	1.55 [39]	—	.33 [8]	2.78 [71]	.34 [9]	1.06 [27]	.23 [6]	.36 [9]	19 OR 470	BLUE	W32VT (2)	U32RT (2)	U32RT (2)	U32RT (2)	HYDRAULIC: Y644M (1)	1-5/16"						
				YAG34L-TC516-LD-45	2			2.28 [58]		2.71 [69]																		
				YAG34L-TC516-LD-90	3			2.47 [63]		1.41 [36]																		
			3/8	YAG34L-TC38-LD	1	1.27 [32]	1.55 [39]	—	.40 [10]	2.91 [74]	.41 [10]	2.83 [72]	.55 [14]	1.06 [27]	.23 [6]	.67 [17]	19 OR 470	BLUE	W32VT (2)	U32RT (2)			U32RT (2)	U32RT (2)	HYDRAULIC: Y644M (1)	1-5/16"		
				YAG34L-TC38-LD-45	2			2.28 [58]		1.53 [39]																		
				YAG34L-TC38-LD-90	3			2.47 [63]		1.78 [45]																		
			1/2	YAG34L-TC12-LD	1	1.27 [32]	1.55 [39]	—	.53 [13]	3.16 [80]	.53 [13]	3.08 [78]	.66 [17]	1.06 [27]	.23 [6]	.67 [17]	19 OR 470	BLUE	W32VT (2)	U32RT (2)			U32RT (2)	U32RT (2)			HYDRAULIC: Y644M (1)	1-5/16"
				YAG34L-TC12-LD-45	2			2.28 [58]		2.03 [52]																		
				YAG34L-TC12-LD-90	3			2.47 [63]		3.41 [87]																		
5/8	YAG34L-TC58-LD	1	1.27 [32]	1.55 [39]	—	.69 [17]	3.41 [87]	.66 [17]	3.33 [85]	.66 [17]	1.06 [27]	.23 [6]	.67 [17]	19 OR 470	BLUE	W32VT (2)	U32RT (2)	U32RT (2)	U32RT (2)	HYDRAULIC: Y644M (1)	1-5/16"							
	YAG34L-TC58-LD-45	2			2.28 [58]		2.03 [52]																					
	YAG34L-TC58-LD-90	3			2.47 [63]		2.03 [52]																					

SEE SHEET 1 OF 18 FOR NOTES

2	7/14/97	STANDARDIZATION OF DIM. & CORRESPONDING DIM. FOR 1992	KRB	KLH
1	4/4/96	ADDED CAT NO'S YAG34L-TC516-LD-45, 90 AND YAG34L-TC38-LD-45, 90. DIMENSIONS FOR 1992.	RDP	JLM
REV.	DATE	DESCRIPTION	BY	C.K'D.

HYLUG™	
CAT NO: YAG34L-TC-LD-	SCALE
DRAWN: D FILLION	12-17-92
DESIGN APPR.: C PALMER & HENRY 12-22-92	CHECKED: KAY HENRY 12-18-92
D.A. APPR.: A LLOYD 12-31-92	FIELD APPR.: T NELSON 01-12-93
S/D FILE: SE208132-SHT14	PH. REF: N/A
FRANTRON CONNECTORS USA INC.	M/D. REF: N/A
BURNBY ELECTRICAL	PROJECT: DO 52443
MANCHESTER, NH 03108	DRAWING NO.
U. S. A.	REV
1-800-346-4175	SE208132
	SHEET 14 OF 18

CONDUCTOR			BOLT SIZE	CATALOG NO.	FIG. NO.	DIMENSIONS							BURNDY INSTALLATION TOOLING (# CRIMPS)										
FLEX	CODE (AWG)	NAVY				B	C	H	K	L	N	O.D.	T REF.	Z MIN.	DIE INDEX	COLOR CODE	HYDRAULIC			DIELESS (# CRIMPS)	WIRE STRIP LENGTH		
																	Y750 Y35 Y39	Y46 (4)	Y45 (3)				
444.4 kcmil 1100/24 (450 kcmil FLEX)	---	---	1/2	YAG36L-TC12-LD	1	1.38 [35]	1.73 [44]	---	3.34 [85]	---	1.19 [31]	.27 [7]	.55 [14]	20 OR 299	BROWN	U34RT (2)	U34RT (2)	U34RT (2)	HYDRAULIC: Y644M (1)	1-3/8"			
				YAG36L-TC12-LD-45	2	2.51 [64]	.53 [13]	3.30 [84]	.53 [13]	20 OR 299	BROWN	U34RT (2)				U34RT (2)	U34RT (2)						
				YAG36L-TC12-LD-90	3	2.73 [69]	---	1.86 [47]	---														
444.4 kcmil 1100/24 (450 kcmil FLEX)	---	---	5/8	YAG36L-TC58-LD	1	1.38 [35]	1.73 [44]	---	3.59 [91]	---	1.19 [31]	.27 [7]	.67 [17]	20 OR 299	BROWN	U34RT (2)	U34RT (2)	U34RT (2)	HYDRAULIC: Y644M (1)	1-3/8"			
				YAG36L-TC58-LD-45	2			2.51 [64]	.69 [17]	3.55 [90]						.66 [17]	20 OR 299	BROWN			U34RT (2)	U34RT (2)	U34RT (2)
				YAG36L-TC58-LD-90	3			2.73 [69]	---	2.11 [54]						---							

SEE SHEET 1 OF 18 FOR NOTES

<b>HYLUG</b>	
CAT NO: YAG36L-TC-LD-	SCALE: FULL SIZE
DRAWN. D FILLION 12-17-92	CHECKED: KAY HENRY 12-18-92
DESIGN APPVL: C PALMISTO 12-22-92	MFG APPVL: N/A
D.A. APPVL: A LLOYD 12-31-92	FIELD APPVL: T NELSON 01-12-93
S/D FILE: SE208132-SHT15	PR. REF: N/A
MFG. REF: N/A	
PROJECT: DO 52410	
<b>BURNDY</b> on FCI Company	
U.S. ELECTRICAL DIVISION MANCHESTER, NH 03106	
DRAWING NO. <b>SE208132</b> REV. <b>0</b>	
SHEET 15 OF 18	

REV.	DATE	DESCRIPTION	BY	C.K.D.

REV. 11/98

CONDUCTOR			BOLT SIZE	CATALOG NO.	FIG. NO.	DIMENSIONS							BURNDY INSTALLATION TOOLING (# CRIMPS)												
FLEX	CODE (AWG)	NAVY				B	C	H	K	L	N	O.D.	T REF.	Z MIN.	DIE INDEX	COLOR CODE	HYDRAULIC			DIELESS (# CRIMPS)	WIRE STRIP LENGTH				
														Y750 Y35 Y39	Y46 4	Y45 3									
535.3 kcmil 1325/24 (500 kcmil FLEX)	---	---	5/16	YAG38L-TC516-LD	1	1.45 [37]	1.84 [47]	---	.33 [8]	3.08 [78]	.34 [9]	1.25 [32]	.27 [7]	.36 [9]	L99	PINK	U38XRT UR4140WE (2)	U38XRT UR4140WE (2)	U38XRT UR4140WE (2)	HYDRAULIC; Y644M (1)	1-7/16"				
				YAG38L-TC516-LD-45	2	2.64 [67]	---	3.01 [76]	---	---	---	---	---	---	---	---	---	---	---			---	---		
				YAG38L-TC516-LD-90	3	2.85 [72]	---	1.52 [39]	---	---	---	---	---	---	---	---	---	---	---			---	---	---	
				YAG38L-TC38-LD	1	---	---	3.39 [86]	---	---	---	---	---	---	---	---	---	---	---			---	---	---	
				YAG38L-TC38-LD-45	2	2.64 [67]	.40 [10]	3.32 [84]	.50 [13]	---	---	---	---	---	---	---	---	---	---			---	---	---	
				YAG38L-TC38-LD-90	3	2.85 [72]	---	1.83 [46]	---	---	---	---	---	---	---	---	---	---	---			---	---	---	---
				YAG38L-TC12-LD	1	---	---	3.46 [88]	---	---	---	---	---	---	---	---	---	---	---			---	---	---	
				YAG38L-TC12-LD-45	2	2.64 [67]	.53 [13]	3.38 [86]	.53 [13]	---	---	---	---	---	---	---	---	---	---			---	---	---	---
				YAG38L-TC12-LD-90	3	2.85 [72]	---	1.90 [48]	---	---	---	---	---	---	---	---	---	---	---			---	---	---	---
535.3 kcmil 1325/24 (500 kcmil FLEX)	---	---	5/8	YAG38L-TC58-LD	1	---	---	---	3.71 [94]	.66 [17]	---	---	---	---	---	---	---	---	---	---					
				YAG38L-TC58-LD-45	2	2.64 [67]	.69 [17]	3.63 [92]	---	---	---	---	---	---	---	---	---	---	---	---	---				
				YAG38L-TC58-LD-90	3	2.85 [72]	---	2.15 [55]	---	---	---	---	---	---	---	---	---	---	---	---	---				

SEE SHEET 1 OF 18 FOR NOTES

<b>HYLUG™</b>	
CAT NO: <b>YAG38L-TC-LD-</b>	SCALE: <b>FULL SIZE</b>
DRAWN: D FILLION 12-17-92 CHECKED: KAY HENRY 12-18-92	
DSGN APPVL: C PALAGI 8 MRSKEY 12-22-92 MFG APPVL: N/A	
S.A. APPVL: A LLOYD 12-31-92 MKTG APPVL: T NELSON 01-12-93	
CAD FILE: SE208132-SHT 16 PM REF: N/A	
MOL REF: N/A	
FRAMATOME CONNECTORS USA INC. PROJECT: DO 52410	
BURNDY ELECTRICAL	
MANCHESTER, NH 03108	
U. S. A. 1-800-346-4175	
<b>SE208132</b>	
SHEET 16 OF 18	

2	2/5/97	ADDED CATALOG # YAG38L-TC38-LD, YAG38L-TC38-LD-45 AND YAG38L-TC38-LD-90 TO TABLE (PER PCH 3159)	PL	.
1	11/28/95	ADDED YAG38L-TC516-LD SERIES CONNECTORS PER (PCH 2666).	RDP	JLM
REV.	DATE	DESCRIPTION	BY	C'K'D.

REV. 06/1995



CONDUCTOR			BOLT SIZE	CATALOG NO.	FIG. NO.	DIMENSIONS										INSTALLATION TOOLING (# CRIMPS)																	
FLEX	CODE (AWG)	NAVY				B	C	H	K	L	N	O.D.	T REF.	Z MIN.	DIE INDEX	COLOR CODE	HYDRAULIC			DIELESS (# CRIMPS)	WIRE STRIP LENGTH												
			Y750 Y35 Y39	Y46	Y45																												
646 kcmil 1600/24 (650 kcmil FLEX)	---	---	5/16	YAG40L-TC516-LD	1	1.42 [36]	1.96 [50]	---	.33 [8]	3.11 [79]	.34 [9]	1.35 [34]	.30 [8]	.36 [9]	24	BLACK	U39RT (2)	U39RT (2)	U39RT (2)	HYDRAULIC: Y644M (1)	1-5/16"												
				YAG40L-TC516-LD-45	2			2.74 [70]		3.10 [79]																							
				YAG40L-TC516-LD-90	3			2.94 [75]		1.59 [40]																							
			3/8	YAG40L-TC38-LD	1			---	3.42 [87]	.50 [13]	.52 [13]						24	BLACK	U39RT (2)			U39RT (2)	U39RT (2)	HYDRAULIC: Y644M (1)	1-5/16"								
				YAG40L-TC38-LD-45	2			2.74 [70]	3.42 [87]																								
				YAG40L-TC38-LD-90	3			2.94 [75]	1.91 [49]																								
			1/2	YAG40L-TC12-LD	1			---	3.48 [88]	.53 [13]																.55 [14]	24	BLACK	U39RT (2)	U39RT (2)	U39RT (2)	HYDRAULIC: Y644M (1)	1-5/16"
				YAG40L-TC12-LD-45	2			2.74 [70]	3.47 [88]																								
				YAG40L-TC12-LD-90	3			2.94 [75]	1.96 [50]																								
5/8	YAG40L-TC58-LD	1	---	3.73 [95]	.66 [17]	.67 [17]	24	BLACK	U39RT (2)	U39RT (2)		U39RT (2)	HYDRAULIC: Y644M (1)	1-5/16"																			
	YAG40L-TC58-LD-45	2	2.74 [70]	3.72 [94]																													
	YAG40L-TC58-LD-90	3	2.94 [75]	2.21 [56]																													

SEE SHEET 1 OF 18 FOR NOTES

HYLUG™	
CAT NO: YAG40L-TC-LD-	SCALE N/A
DRAWN: D FILLION 12-17-92	CHECKED: KAY HENRY 12-18-92
DSGN APPVL: C PALAGI 8 MESKEY 12-22-92	MFG APPVL: N/A
S.A. APPVL: A LLOYD 12-31-92	MKTG APPVL: T NELSON 01-12-93
CAD FILE: SE208132-SHT17	PM REF: N/A
FRAMATONE CONNECTORS USA INC. BUNDRY ELECTRICAL	MOL REF: N/A
MANCHESTER, NH 03108 U. S. A. 1-800-346-4175	PROJECT: DO 52410
	DRAWING NO. SE208132
	SHEET 17 OF 18

REV.	DATE	DESCRIPTION	BY	C'K'D.
4	4/12/97	2.94 [75] WAS 2.91 [74] FOR 90° VERSIONS PER PCN 3231.	KRB	JLM
3	03/19/97	STANDARDIZE "B" DIM & CORRESPONDING DIM. UPDATED FORMAT (PCN 3187)	KRB	JLM
2	2/16/96	ADDED 516 AND 58 SERIES CAT. NO.5 PER (PCN 2690)	JWA	JLM
1	11/23/94	TOOK 473 OUT OF THE DIE INDEX COLUMN PER (PCN 2027)	JWA	DGF

REV. 06/1995

CONDUCTOR			BOLT SIZE	CATALOG NO.	FIG. NO.	DIMENSIONS							INSTALLATION TOOLING (# CRIMPS)							
FLEX	CODE (AWG)	NAVY				B	C	H	K	L	N	O.D.	T REF.	Z MIN.	DIE INDEX	COLOR CODE	HYDRAULIC			DIELESS (# CRIMPS)
			Y750 Y35 Y39	Y46	Y45															
777.7 kcmil 1925/24 (750 kcmil FLEX)	---	---	1/2	YAG44L-TC12-LD	1	1.65 [42]	2.18 [55]	---	3.85 [98]	---	1.50 [38]	.33 [8]	.55 [14]	L115	YELLOW	U44XRT UR4141WE (2)	U44XRT UR4141WE (2)	U44XRT UR4141WE (2)	HYDRAULIC: Y644M (1)	1-5/8"
				YAG44L-TC12-LD-45	2	3.11 [79]	.53 [13]	3.81 [97]	.53 [13]											
				YAG44L-TC12-LD-90	3	3.35 [85]	---	2.07 [53]	---											
777.7 kcmil 1925/24 (750 kcmil FLEX)	---	---	5/8	YAG44L-TC58-LD	1	1.65 [42]	2.18 [55]	---	4.10 [104]	---	1.50 [38]	.33 [8]	.67 [17]	L115	YELLOW	U44XRT UR4141WE (2)	U44XRT UR4141WE (2)	U44XRT UR4141WE (2)	HYDRAULIC: Y644M (1)	1-5/8"
				YAG44L-TC58-LD-45	2			3.11 [79]	.69 [17]	4.06 [103]				.66 [17]						
				YAG44L-TC58-LD-90	3			3.35 [85]	---	2.32 [59]				---						

SEE SHEET 1 OF 18 FOR NOTES

HYLUG <sup>TM</sup>	
CAT NO: <b>YAG44L-TC-LD-</b>	SCALE
DRAWN D FILLION	12-17-92
DESIGN APPL. C PALABO & MERRY 12-22-92	CHECKED, KAY HENRY 12-18-92
DRAWN APPL. A LLOYD 12-31-92	REVISED APPL. T NELSON 01-12-93
SIB FILE: SE208132-SHT11B	PH. REF. N/A
FRANATONE CONNECTORS USA INC.	MDL. REF. N/A
BURNBY ELECTRICAL	PROJECT, DO 52410
MANCHESTER, NH 03108	U. S. A.
1-800-346-4175	

1	5/6/97	STANDARDIZE 'B' DIM. AND CORRESPONDING DIM. 'S'. UPDATE FORMAT (PER PCN 3266)	PL	JLM
REV.	DATE	DESCRIPTION	BY	C'K'D.

REV. 06/1995