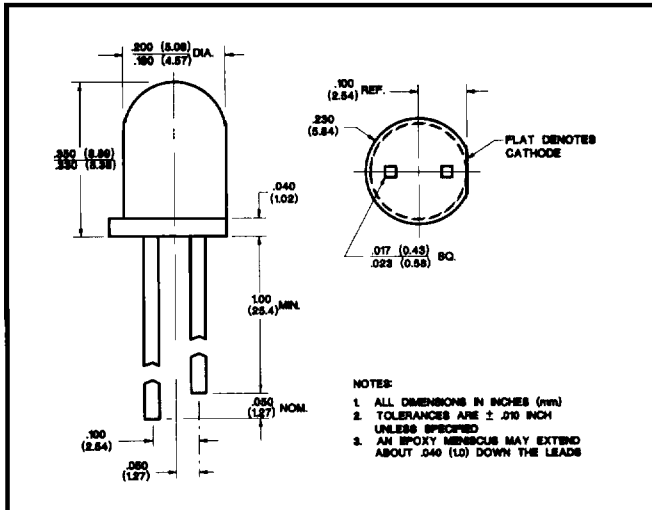




T-1³/₄ Ultrabright LED Lamps

DESCRIPTION AND FEATURES

4
Solid State
Products



The Ultrabright CMD3X50 Series LED lamp provides exceptional brightness in a very narrow viewing area, in a clear tinted non-diffused package making them excellent for small area backlighting. A pale tint aids in identification. The High Efficiency Red and Yellow lamps are produced with GaAsP/GaP and the High Efficiency Green lamp is produced with GaP/GaP. All feature an 80 mcd minimum luminous intensity.

ELECTRO-OPTICAL CHARACTERISTICS

Part Number	Emitted Color	Lens Color	Lens Type	Luminous Intensity			Forward Voltage			Capacitance pF Vr=0, f=1MHz	Peak Wavelength (nm)	View Angle (Degrees)
				Min. mcd	Typ. mcd	mA	Typ.	Max.	mA			
CMD3350	Yellow	Clear	Tint N.D.	80.0	150.0	20	2.2	3.0	20	45	585	24
CMD3750	H.E. Red	Clear	Tint N.D.	80.0	150.0	20	2.2	3.0	20	45	635	24
CMD3450	H.E. Green	Clear	Tint N.D.	80.0	150.0	20	2.2	3.0	20	20	565	24

ABSOLUTE MAXIMUM RATINGS

	Yellow	H.E. Red	H. E. Green	Units
Power Dissipation	85	135	135	mW
Storage/Operating Temperature	-55 to +100	-55 to +100	-55 to +100	°C
Lead Solder Time at 260°C	5	5	5	Seconds
Peak Forward Current (1 micro second pulse, 0.3% duty cycle)	60	90	90	mA
Reverse Voltage (IR = 100µA)	5.0	5.0	5.0	V
Average Forward Current	20	25	25	mA

TYPICAL CHARACTERISTIC CURVES

