

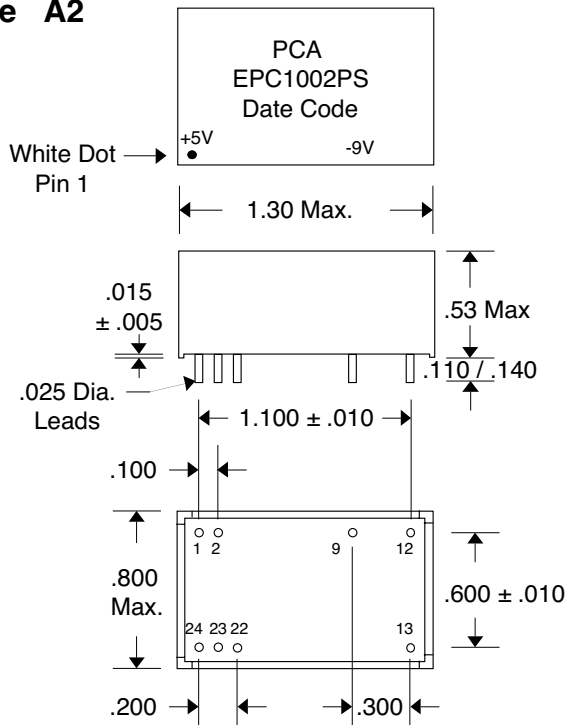
Ethernet DC/DC Converter EPC1002PS & HS

- Features**
- 70 % Typical efficiency at full load
 - Designed for low common mode noise
 - Input filter to reduce input ripple current
 - Fuse Protected
 - TTL compatible
 - Low input in-rush current
 - Pulse width modulator circuit (for high efficiency and excellent line and load regulation)
 - Precision regulated output (from no load to full load)
 - Enable active high or open

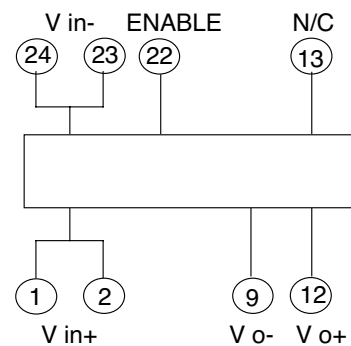
Electrical Specifications

Parameters	Min.	Typ.	Max.	Units
Input Voltage	4.0	5.0	7.5	Volts
Output Voltage	-8.55	-9.0	-9.45	Volts
Output Current	0	----	250	mA
Output Ripple & Noise @ 20 MHz BW	----	----	100	mV p-p
Input Ripple Current	----	----	10	mA p-p
In-rush Current	----	----	1.5	A
I/O Isolation Part Number EPC1002PS	500	----	----	Vrms
I/O Isolation Part Number EPC1002HS	2000	----	----	Vrms

Package A2



Pin Connection Diagram



EPC1002PS & EPC1002HS 4/24/94

Unless Otherwise Noted Dimensions in Inches
 Tolerances:
 Fractional = ± 1/32
 .XX = ± .030 .XXX = ± .010



16799 SCHOENBORN ST.
 NORTH HILLS, CA 91343
 TEL: (818) 892-0761
 FAX: (818) 894-5791