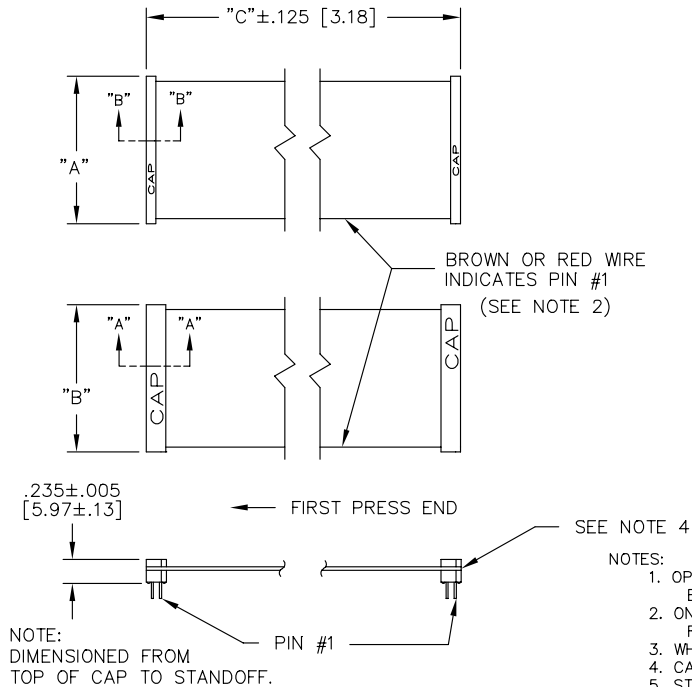
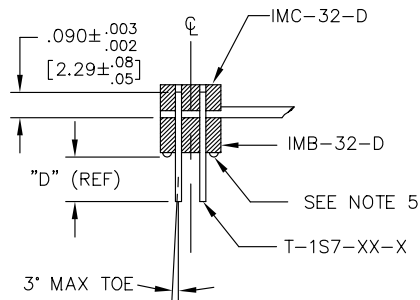


FIG 2

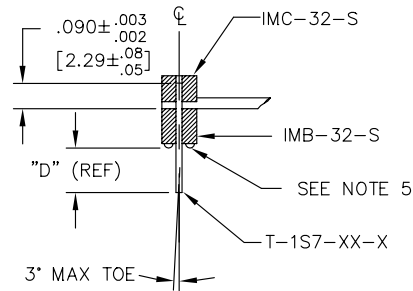


Do not scale from this print.



SECT. "A-A"

(XDMD ASSEMBLY)
(REFER TO XMD-XX-X ASSEMBLY)



SECT. "B-B"

(XDNS ASSEMBLY)
(REFER TO XMS-XX-X ASSEMBLY)

DIMENSIONS ARE IN INCHES		UNLESS OTHERWISE NOTED		TOLERANCES ARE:		TITLE: ASSEMBLY	DWG NO:
ONE PLACE DECIMALS ± .1	THREE PLACE DECIMALS ± .005	ANGLES ± 1	INSULATION DISPLACEMENT TERMINAL CONNECTOR		XDMX-XX-X-XX-XXX-XXX	SHEET 1 OF 2	
TWO PLACE DECIMALS ± .01	FOUR PLACE DECIMALS ± .0020						

XDMX-XX-X-XX-XXX-XXX

- TAIL SPECIFICATION**
(SEE SECT. "A-A" & "B-B")
I: D=.125 (T-1S7-01-X)
E: D=.200 (T-1S7-02-X)
- ROW SPECIFICATION**
-S: SINGLE
-D: DOUBLE
- NO. OF CONDUCTORS**
(-02 THRU -36 PER ROW)
USE CABLE CB-XX-28-7/36-100-C (XDMS)
USE CABLE CB-XX-28-7/36-050-C (XDMD)
"A" ±.015 [38] = "XX" x .100 [2.54] + .019 [.48] (-01 THRU -31)
OR 3.210 [81.53] REF (-32)
"B" ±.015 [38] = "XX" x .100 [2.54] + .059 [1.50] (-01 THRU -31)
OR 3.250 [82.55] REF (-32)
(SEE NOTE 3)
- * NOTE: STANDARD COLOR-CODED CABLE N/A FOR DOUBLE ROW 31 THRU 36 POSITION - SEE -G OPTION.
- CONNECTOR SPECIFICATION**
-S: (SINGLE) ONE XDM ASSEMBLY
-D: (DOUBLE) TWO XDM ASSEMBLIES- ONE ON EACH END
-T: (TRANSFER-IDMS) ONE XDMS & ONE IDS- ONE ON EACH END
-T: (TRANSFER-IDMD) ONE XDMD & ONE IDD- ONE ON EACH END
- OPTION SPECIFICATION**
SEE OPTIONS
- LENGTH OF CABLE**
MEASURED IN INCHES
(SEE FIG. 1, "C" DIM.)

NOTES:

- OPTION -SXX WHEN MATING DOUBLE ROW CONNECTOR WITH 2 SINGLE ROW CONNECTORS, THE OUTER MOST SINGLE WILL BE CONNECTED TO CONDUCTOR #1 AND THE INSIDE SINGLE TO CONDUCTOR #2.
- ON FIRST CABLE INSERTION PRESS, THE BROWN WIRE (COLORED CABLE) OR THE RED WIRE (GRAY CABLE) IS POSITIONED TO THE RIGHT WITH THE "FAT END" OF THE BASE AND CAP.
- WHEN CUTTING BASE AND CAPS TO POSITION, END WALLS ON CUT ENDS SHALL BE .010 [.25] MIN.
- CABLE CAN BE RECESSED OR EXTENDED .010 [.25] MAX. FROM FLUSH
- STANDOFFS ON BASE SHALL STAND .010 [.25] MIN. FROM SURFACE OF IMB-32-X.
- OPTION -PXX: POLARIZING OPTION CAN ONLY BE USED ON IDX END OF -T (TRANSFER) OPTION.
- WHEN DAISY CHAINING A TRANSFER END OPTION, ONLY THE FIRST CONNECTOR IS MALE; THE REMAINING CONNECTORS ARE FEMALE.
- A CHAMFER ON THE END OF THE CAP IS GUARANTEED ON FINAL ASSEMBLIES THAT ARE AT LEAST 18 POSITIONS FOR MALE AND FEMALE TERMINATION.
- ALL ASSEMBLIES TO BE 100% ELECTRICALLY TESTED FOR SHORTS AND OPENS.
- ALL ASSEMBLIES TO BE 100% HI-POT TESTED AT 1000V.

RIBS OF GRAY CABLE GO TO CAPS SIDE EXCEPT ON REVERSE ASSEMBLIES.

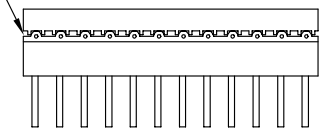


FIG 1

PROPRIETARY NOTE
THIS DOCUMENT CONTAINS INFORMATION CONFIDENTIAL AND PROPRIETARY TO SAMTEC INC. AND SHALL NOT BE REPRODUCED OR TRANSMITTED TO OTHER DOCUMENTS OR DISCLOSED TO OTHERS OR USED FOR ANY PURPOSE OTHER THAN THAT FOR WHICH IT WAS OBTAINED WITHOUT THE EXPRESSED WRITTEN CONSENT OF SAMTEC INC.



EXISPROD/CABLE XDMXASMT

520 PARK EAST BLVD. NEW ALBANY, INDIANA 47150
PHONE (812) 944-6733 P.O. BOX 1147
CODE 55322

MADE BY: JORDAN 12-30-87
CHECKED BY:

ENG. APPROVAL

XDMX-XX-X-XX-XXX-XXX
SHEET 1 OF 2

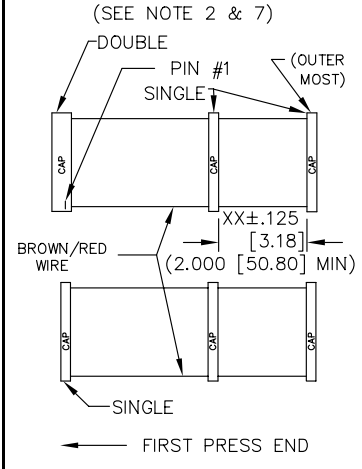
OPTIONS

-T, -C*, OR -A*
PLATING

OPTION	CONTACTS
-T	T-1S7-XX-T (XDMX) C-10-T (IDSX)*
-C*	T-1S7-XX-T (XDMX) C-10-G (IDSX)
-A*	T-1S7-XX-G (XDMX) C-10-T (IDSX)

* CAN ONLY BE USED WITH CONNECTOR SPECIFICATION -T

-G
GRAY CABLE

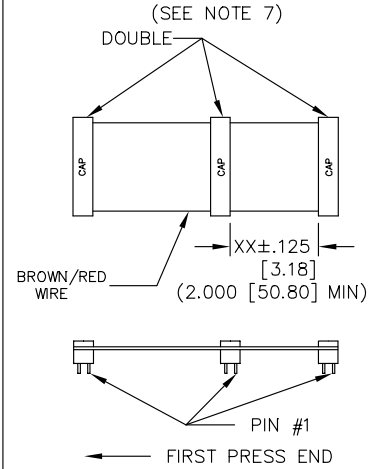


-ST"X"
STRIPPED & TINNED

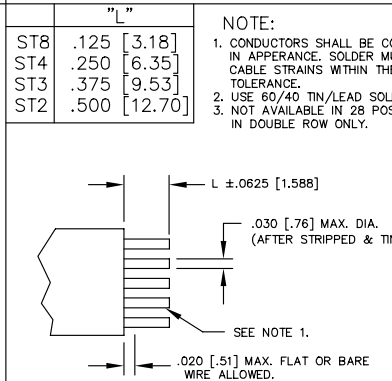
	"L"
ST8	.125 [3.18]
ST4	.250 [6.35]
ST3	.375 [9.53]
ST2	.500 [12.70]

NOTE:
1. CONDUCTORS SHALL BE CONSISTENT IN APPEARANCE. SOLDER MUST MAINTAIN CABLE STRAINS WITHIN THE MAX DIA. TOLERANCE.
2. USE 60/40 TIN/LEAD SOLDER ONLY.
3. NOT AVAILABLE IN 28 POSITION AND UP IN DOUBLE ROW ONLY.

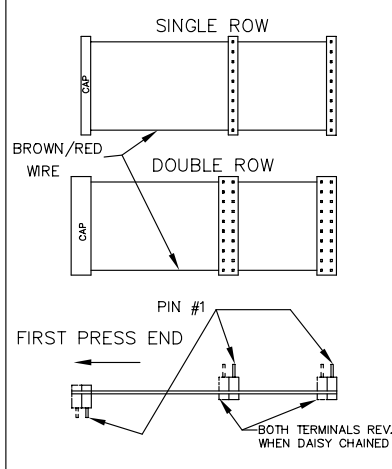
-WXX
WIRING REVERSED



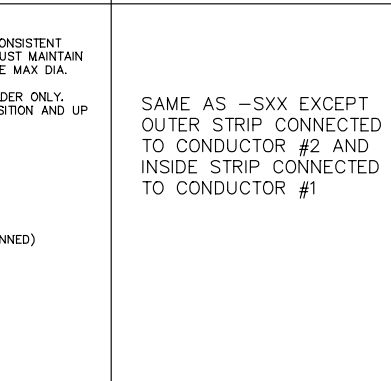
-BXX
BREAKOUT



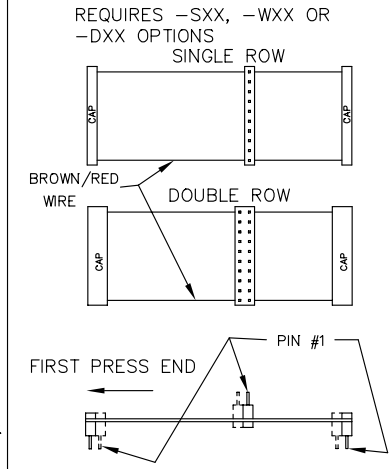
-SXX
DAISY CHAIN-SINGLE
(SEE NOTE 2 & 7)



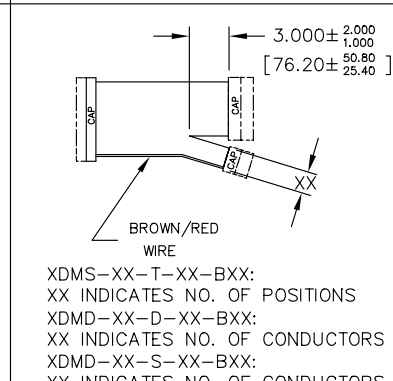
-DXX
DAISY CHAIN-DOUBLE
(SEE NOTE 7)



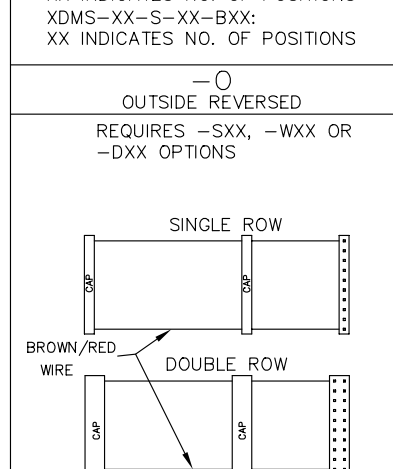
-R
REVERSED CONNECTOR



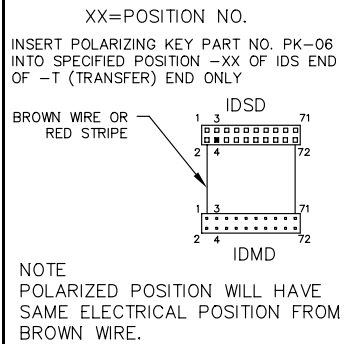
-M
MIDDLE REVERSED



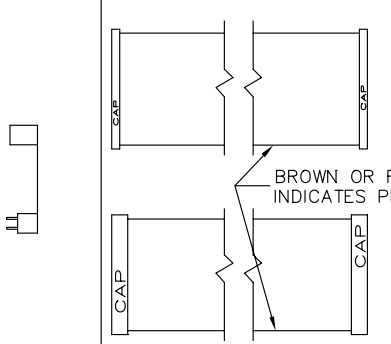
-O
OUTSIDE REVERSED



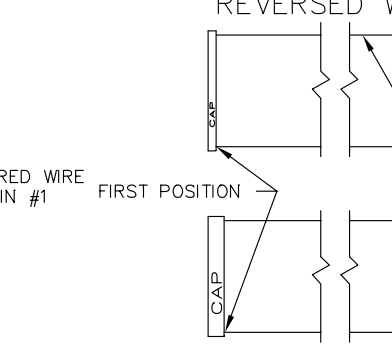
-PXX
POLARIZED MATING (SEE NOTE #6)



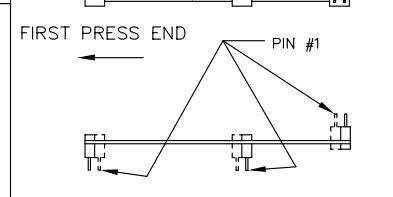
STANDARD WIRING



-RW
REVERSED WIRING



PROPRIETARY NOTE
THIS DOCUMENT CONTAINS INFORMATION CONFIDENTIAL AND PROPRIETARY TO SAMTEC INC. AND SHALL NOT BE REPRODUCED OR TRANSFERRED TO OTHER DOCUMENTS OR DISCLOSED TO OTHERS OR USED FOR ANY PURPOSE OTHER THAN THAT FOR WHICH IT WAS OBTAINED WITHOUT THE EXPRESSED WRITTEN CONSENT OF SAMTEC INC.



EXISPROD.CABLE XDMXASW2

520 PARK EAST BLVD. NEW ALBANY, INDIANA 47150
PHONE (812) 944-6733 P.O. BOX 1147
CODE 55322

MADE BY: _____ ENGINEER APPROVAL: _____
CHECKED BY: _____

XDMX-XX-X-XX-XXX-XXX
SHEET 2 OF 2