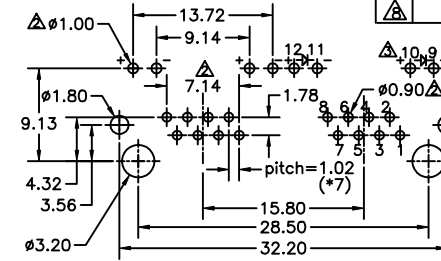
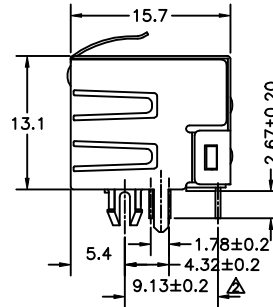
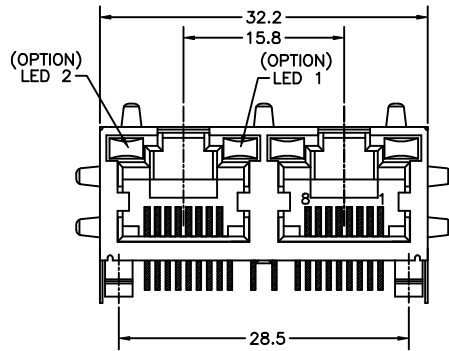


REVISION RECORD				
REV	ECO	DESCRIPTION	DRFT	CHKD
△		EC NOTE & NUMBER	MING-WEI 5/14/01	
△		Modify Dimension	Christ 3/11/02	
△		DRAWING MODIFY	IRONDR 08/17/02	
△		DRAWING MODIFY	IRONDR 11/22/02	
△		DRAWING MODIFY	TINA 04/25/03	
△		ADD NEW TYPE	SUNIL 07/19/04	
△		ADD NEW TYPE	YIP 06/28/04	
△		ADD NEW TYPE	PETERS 1/11/05	



PCB (t=1.60mm) Layout
Component Side Shown

W/TIN PART NUMBER: E 5J 8 8 - X X A X X X

- 1-LED1:GREEN ,LED2:YELLOW .
- 2-LED1:GREEN ,LED2:GREEN .
- 3-LED1:YELLOW ,LED2:GREEN .
- △4-LED1:G+Y ,LED2:G+Y .
- △5-LED1:RED ,LED2:GREEN .
- 7-LED1:YELLOW ,LED2:YELLOW .

PLATING:1-3u"3-15u"5-50u"
2-6u"4-30u"

- C-"LED TYPE" TIN LEAD SHIELD STAMPED PIN.
- D-"LED TYPE" NI LEAD SHIELD STAMPED PIN.
- J-"LED TYPE" NI LEAD SHIELD ROUND PIN.
- △K-"LED TYPE" TIN LEAD SHIELD ROUND PIN.
- 0-W/O LOGO W/ TINNED SHIELD LEGS
- △J-W/O LOGO A05-0130
- △5-W/O LOGO W/O TINNED SHIELD LEGS
- 1-NO TAB 3-SIDE TABS.
- 2-TOP TABS. 4-TOP TABS & SIDE TABS.

LEAD FREE PART NUMBER: E 5J 8 8 - X X A X X X-L

- 1-LED1:GREEN ,LED2:YELLOW .
- 2-LED1:GREEN ,LED2:GREEN .
- 3-LED1:YELLOW ,LED2:GREEN .
- △4-LED1:G+Y ,LED2:G+Y .
- △5-LED1:RED ,LED2:GREEN .
- 7-LED1:YELLOW ,LED2:YELLOW .

PLATING:1-3u"3-15u"5-50u"
2-6u"4-30u"

- C-"LED TYPE" TIN LEAD SHIELD STAMPED PIN.
- D-"LED TYPE" NI LEAD SHIELD STAMPED PIN.
- J-"LED TYPE" NI LEAD SHIELD ROUND PIN.
- △K-"LED TYPE" TIN LEAD SHIELD ROUND PIN.
- 0-W/O LOGO W/ TINNED SHIELD LEGS
- △J-W/O LOGO A05-0130
- △5-W/O LOGO W/O TINNED SHIELD LEGS
- 1-NO TAB 3-SIDE TABS.
- 2-TOP TABS. 4-TOP TABS & SIDE TABS.

NOTES:

ELECTRICAL:

1. VOLTAGE RATING : 125 VAC RMS.
2. CURRENT RATING : 1.5 AMP.
3. CONTACT RESISTANCE : 30 MILLIOHMS MAX.
4. INSULATION RESISTANCE: 1000 MEGOHMS MIN @ 500 VDC.
5. DIELECTRIC STRENGTH : 1000 VAC RMS 60HZ, 1MIN.
6. LED RATINGS: FORWARD VOLTAGE: 2.2 VOLTS TYPICAL.
REVERSE VOLTAGE: 5 VOLTS MAXIMUM△
7. OPERATING: 750 CYCLES MIN.

MECHANICAL:

1. HOUSING MATERIAL : PBT+30%.G.F OR FR52 UL94V-0. COLOR-BLACK.
2. INSERT MATERIAL : PBT+30%GF OR FR52 UL94V-0. COLOR-BLACK.
3. BACK PLATE MATERIAL : PBT+30%GF. OR FR52 COLOR-BLACK.
4. LED SIZE : 3.2*2.0*4.0*P=2.29mm.
5. SHIELD MATERIAL : COPPER ALLOY 0.25mm THICKNESS PLATING NI.
6. CONTACT MATERIAL : PHOSPHOR BRONZE 0.35mm THICKNESS OR Ø0.46mm.
7. PLATING : GOLD PLATING OVER NICKEL.
8. PCB RETENTION PRE-SOLDER : 1 LB MIN.
9. PCB RETENTION POST-SOLDER : 10 LBS MIN.

ENVIRONMENTAL:

1. STORAGE : -40°C TO +85°C.
 2. OPERATION: 0°C TO 70°C.
- MATES WITH MODULAR PLUG CONFORMING TO
FCC PART 68, SUBPART F.
CUL FILE NO. E163191

← MM (INCH) →		DFTO JERRY	DATE 4/11/2001
TOLERANCES EXCEPT AS NOTED		CHKD WKE	DATE 2009/1/11
		MFO	DATE
		APPV LUSHENG	DATE 2009/1/11
MM			
.0 ±0.20	±		
.00 ±0.15	±		
.000 ±0.075	±		
ANGLES ±			
THIRD ANGLE PROJECTION			

FULL RISE ELECTRONIC CO., LTD			
TITLE RJ45 SIDE ENTRY LEAD			
GANG JACK 2 PORTS			
DRAWING NO. GE5J3A04		SIZE	REV
/PART NO. SEE NOTE		A3	8
DO NOT SCALE DRAWING		SHEET X	OF Y