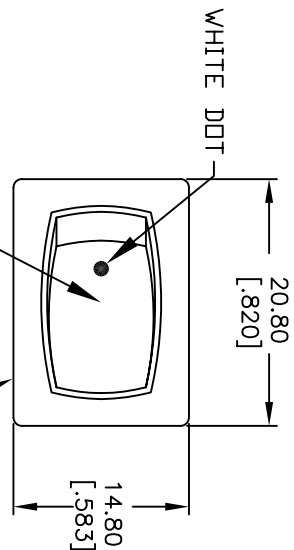
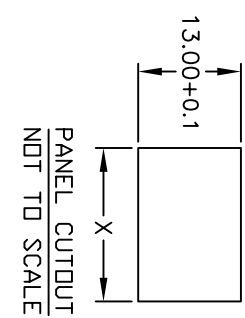
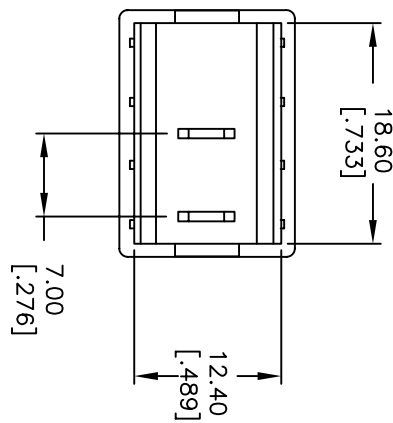
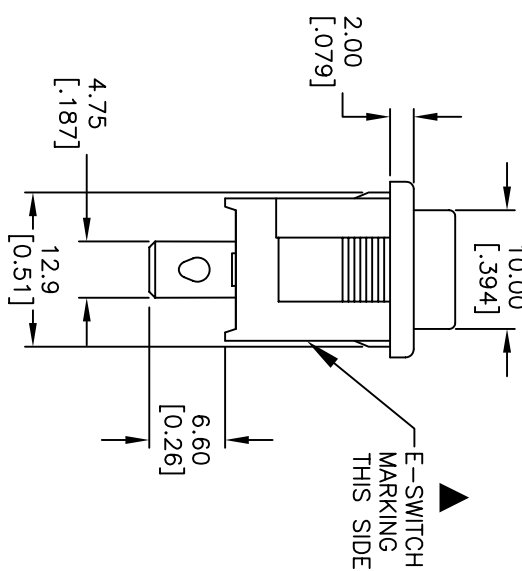
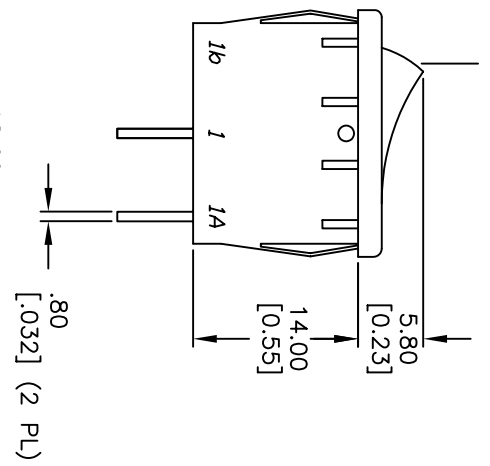


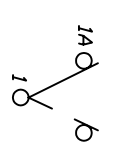
| PANEL THICKNESS | X dimension |
|------------------------|-----------------|
| 0.75-1.25 [0.30-.0491] | 19.2-01 [7.561] |
| 1.25-2.0 [0.49-.0791] | 19.4-01 [7.641] |
| 2.0-3.0 [0.79-.1181] | 19.8-01 [7.801] |



ACTUATOR: RED
 WHITE DOT
 BODY/HOUSING: BLACK



| SWITCH FUNCTION | |
|-----------------|--------|
| PDS. 1 | PDS. 2 |
| <DN> | DFE |
| 1-1a | OPEN |



CIRCUIT: SPST

- NOTES:
1. ALL DIMENSIONS IN MM [INCH]
 2. GENERAL TOLERANCE: X.X=±0.4 X.XX=±0.25
 3. TERMINAL NUMBERS FOR REF ONLY
 4. RATING: 15A @ 125VAC OR 8A @ 250VAC
 5. MATERIALS: TERMINALS: Silver Plated Copper Alloy CONTACTS: Coin Silver, Silver Plated
 6. ELECTRIC LIFE: 10,000 cycles
 7. CONTACT RESISTANCE: <20 Mega Ω
 8. INSULATION RESISTANCE: >1000 Mega Ω
 9. DIELECTRIC STRENGTH: >1500 V 1 minute >3000 V between poles
 10. 2002/95/EC (ROHS) COMPLIANT



| | | | | |
|--|---------|-------------------------|---------|------|
| REV. | ECN NO. | DESCRIPTION | DATE | CHKD |
| A | 17379 | RELEASED FOR PRODUCTION | 6/12/07 | TN |
| THE INFORMATION CONTAINED IN THIS DOCUMENT IS PROPRIETARY TO E-SWITCH AND IS NOT TO BE COPIED OR TRANSMITTED | | | | |

| | | | | | |
|----------------|-------|---------|----|---------|-----|
| TITLE | SCALE | DATE | DR | DWG | REV |
| R1966FBLKREDAF | 1.5:1 | 6/12/07 | TN | M304199 | A |