

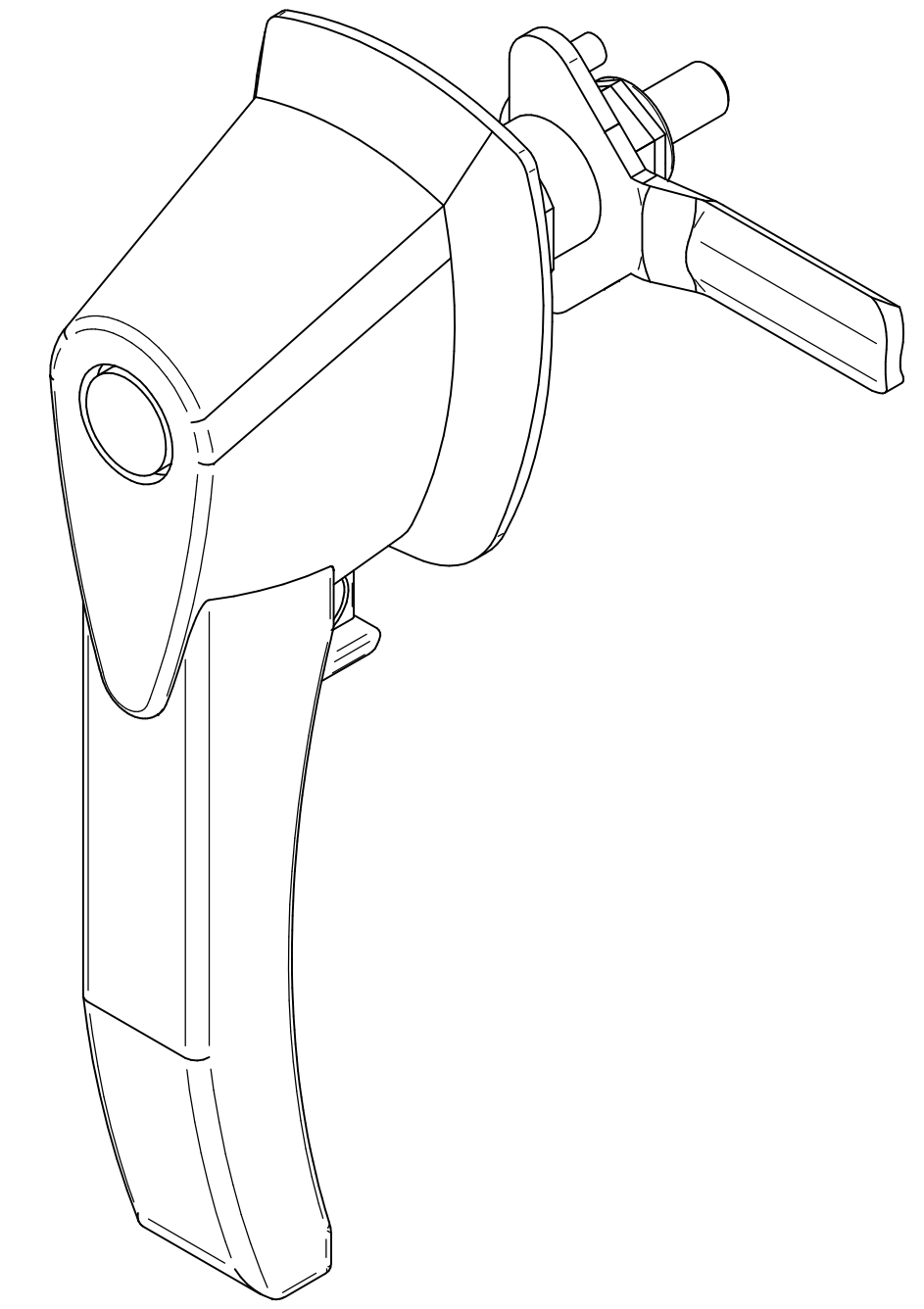
# PART No. MHK1

for more information visit

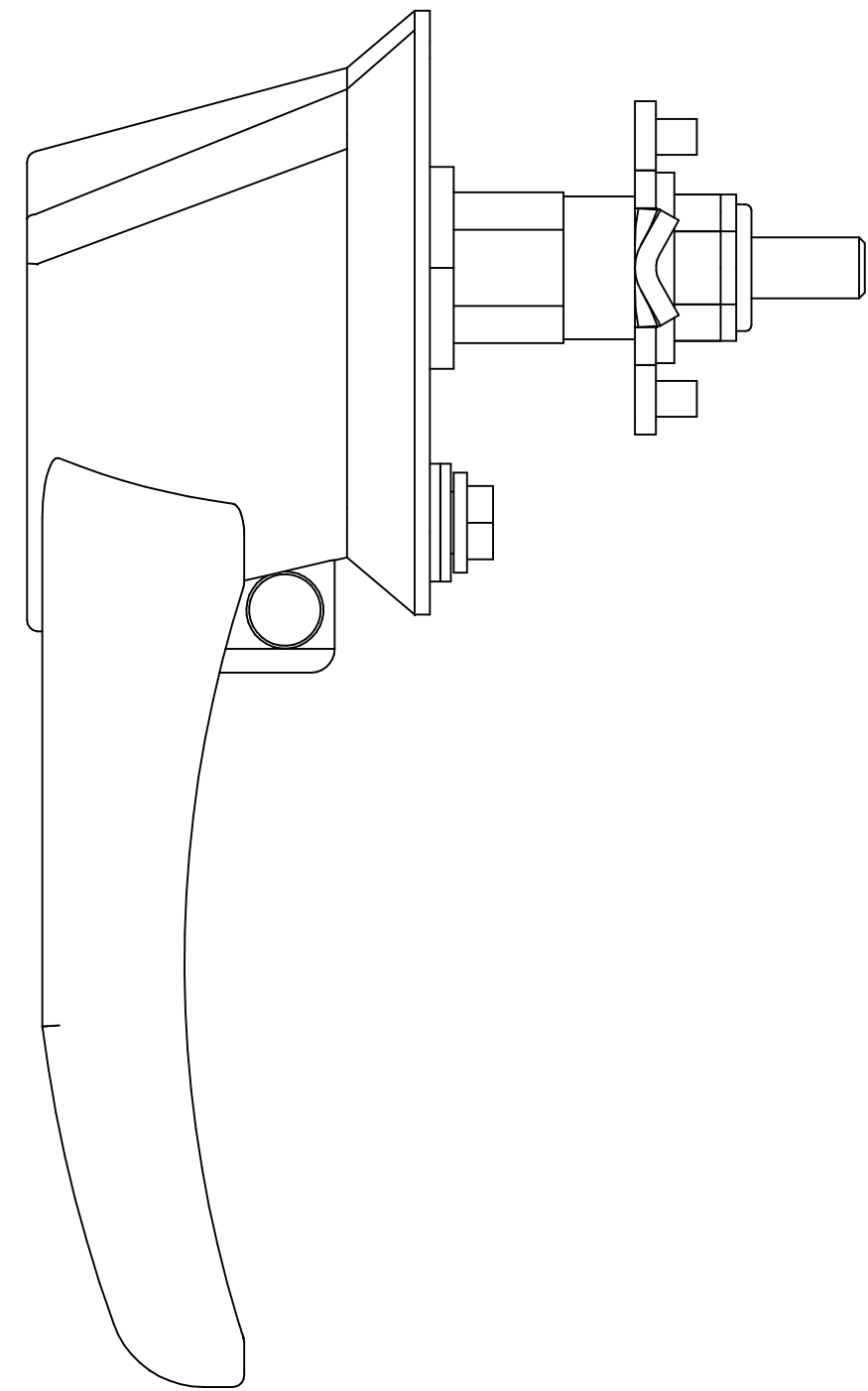
[www.hammondmfg.com](http://www.hammondmfg.com)

Data subject to change without notice

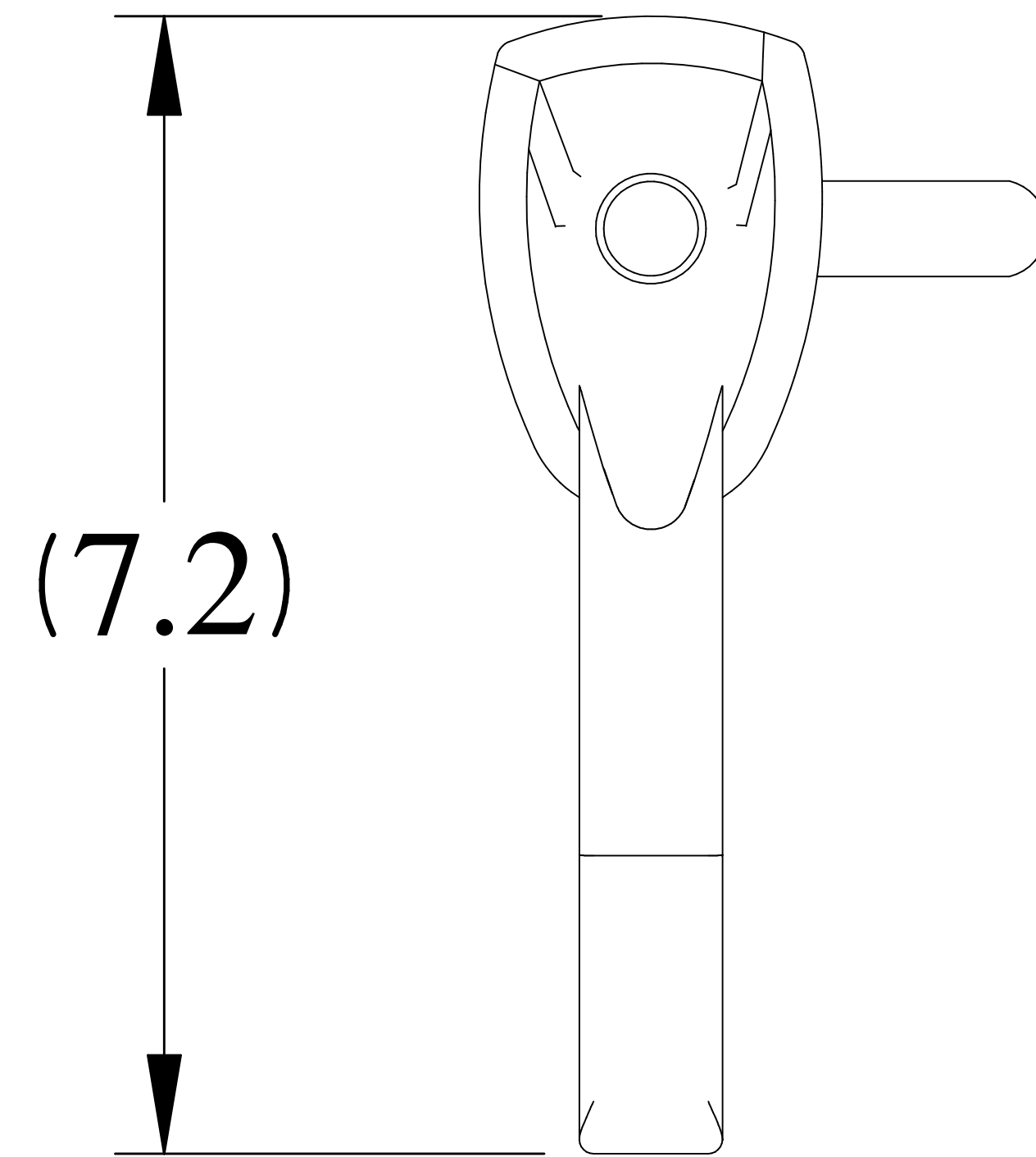
Isometric drawing Not to Scale



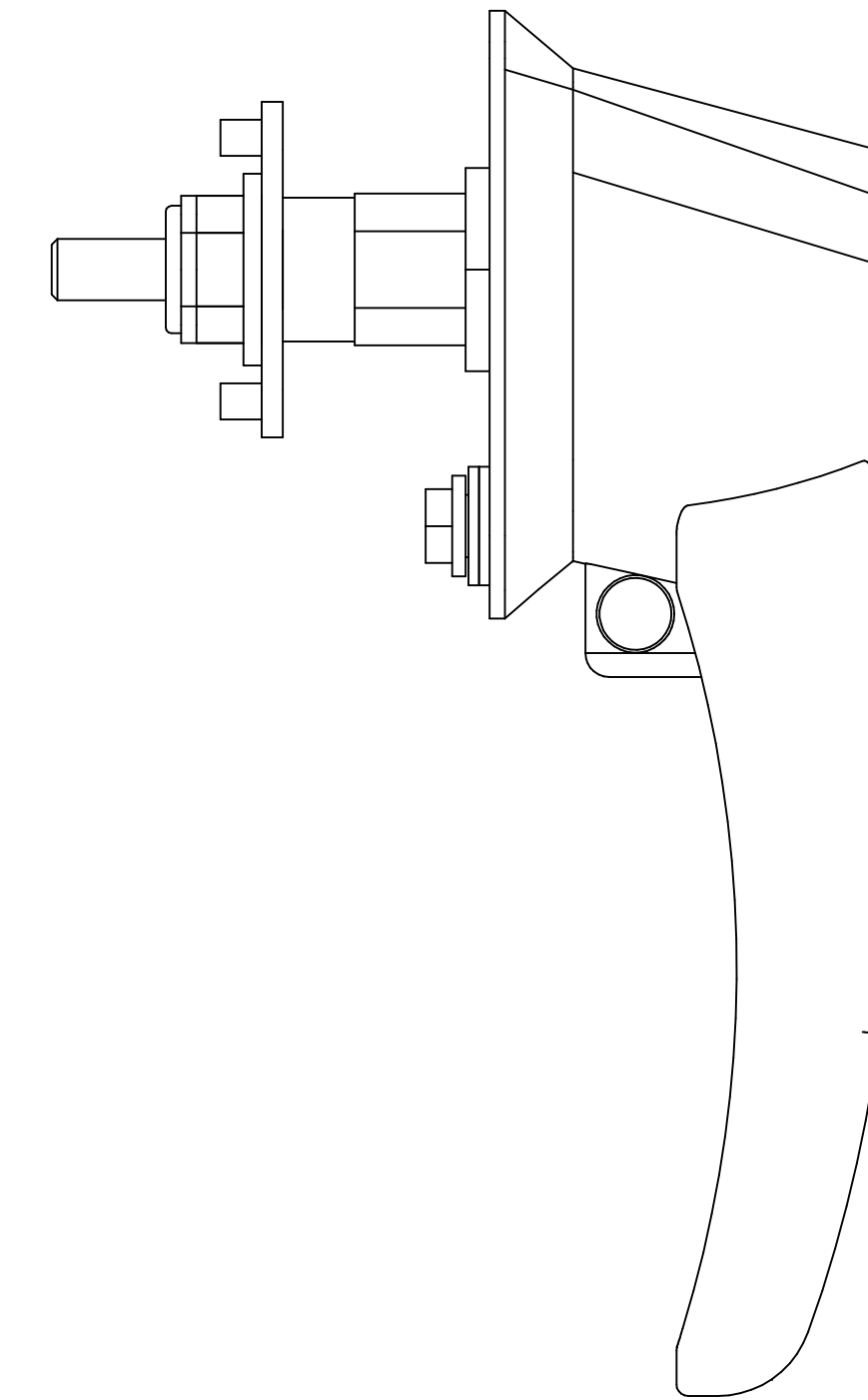
**ISOMETRIC VIEW**



**SIDE VIEW**



**FRONT VIEW**



**SIDE VIEW**