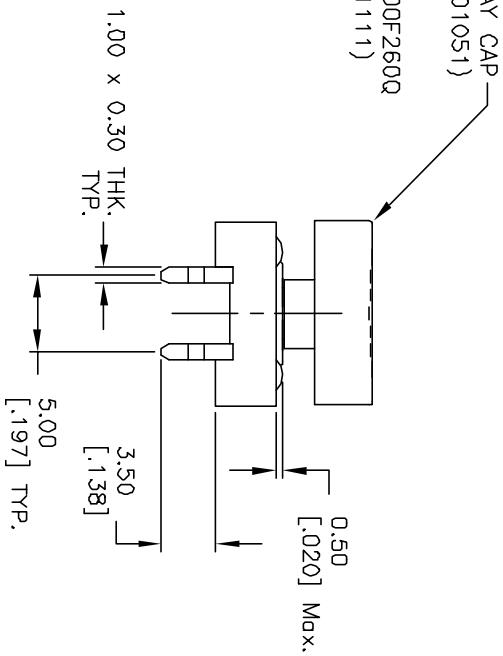
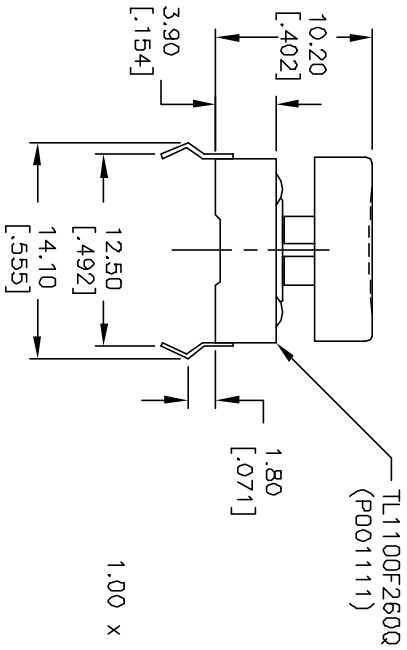
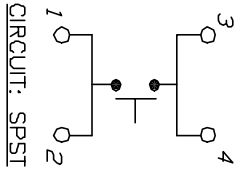
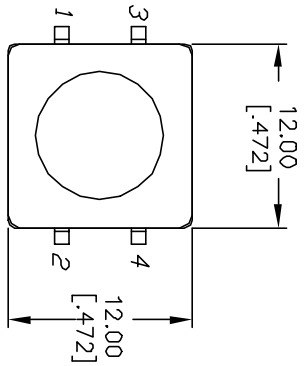


RECOMMENDED P.C.B. LAYOUT



4J GRAY CAP
(P001051)

TL1100F260Q
(P001111)

- NOTES:
1. ALL DIMENSIONS IN MM. [INCH]
 2. GENERAL TOLERANCE: X.X=±0.4 X.XX=±0.25
 3. TERM. NOS. FOR REF. ONLY
 4. RATING: 50mA, @12V DC
 5. TRAVEL: 0.30±0.15mm
 6. OPERATING FORCE: 260±50gf
 7. CONTACT RESISTANCE: 100 MILLIOHMS Max.
 8. ELECTRICAL LIFE: 100,000 CYCLES MIN.

REV.		ECN No.		DESCRIPTION		DATE		CHKD		TITLE	
A		11825		RELEASED FOR PRODUCTION		11/08/01		CJC		TL 1100 F260 Q (4J GRY)	
REV.		ECN No.		DESCRIPTION		DATE		CHKD		SCALE	
				THE INFORMATION CONTAINED IN THIS DOCUMENT IS PROPRIETARY TO E-SWITCH AND IS NOT TO BE COPIED OR TRANSMITTED						DATE	
						11/08/01		CJC		DR	
										DVG	
										XP00844	
										REV	
										A	

E-SWITCH®