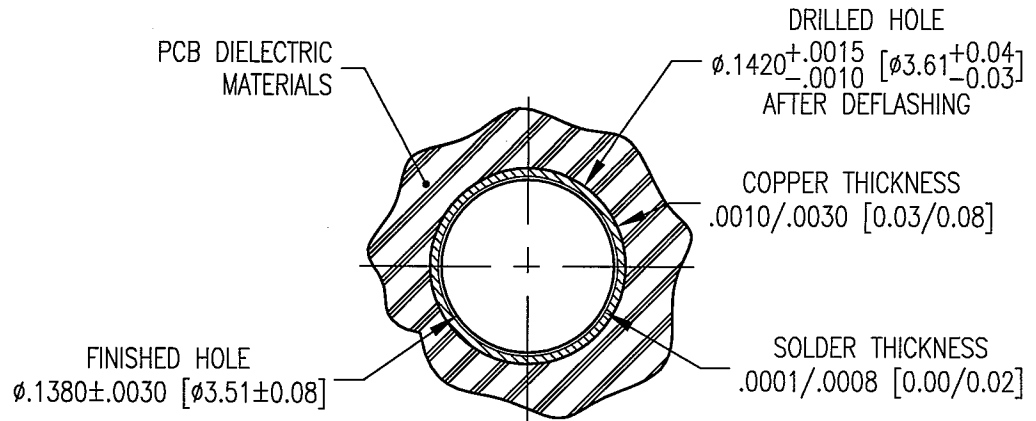
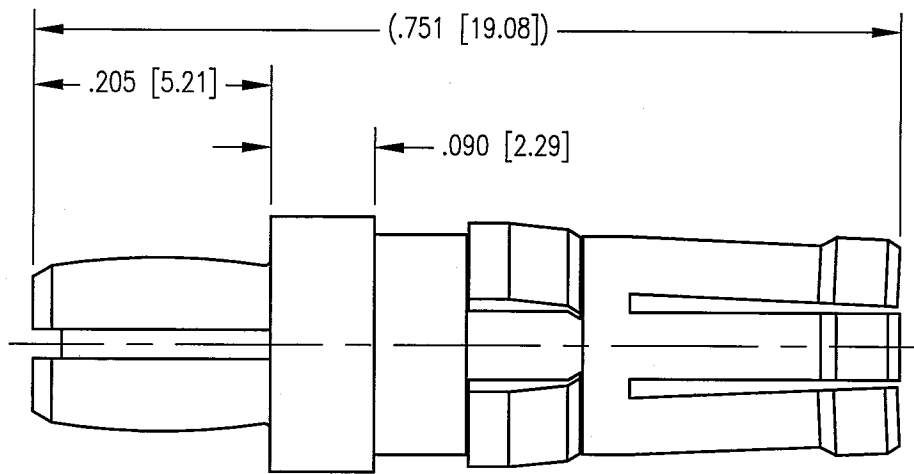


REV	DESCRIPTION	BY DATE	APPD
A	ECR 7437	8/9/02 JWH	8/8/02 JEM



RECOMMENDED MOUNTING HOLE

NOTES:

- MATERIALS:  
 BODY: PHOSPHOR BRONZE PER ASTM D139-90 ALLOY C54400 BZ4 (C.D.A. 544)  
 CLIP RING: BERYLLIUM COPPER PER ASTM B194  
 INSERT: SILICONE RUBBER PER ZZ-R-765
- FINISH:  
 BODY: .000030 MIN. GOLD PER MIL-G-45204 OVER  
 .000050 MIN. NICKEL PER QQ-N-290  
 CLIP RING: .000100 MIN. NICKEL PER QQ-N-290 OVER  
 COPPER FLASH
- MECHANICAL:  
 MAX. INSERTION FORCE: 75 LBS.  
 MIN. RETENTION FORCE: 20 LBS.

PER ASME Y14.5M-1994 UNLESS OTHERWISE SPECIFIED: DIMENSIONS ARE IN INCHES [MM]		<b>NORTHROP GRUMMAN</b>	
TOLERANCES: DECIMALS .XX ± .01 [0.254] .XXX ± .005 [0.127] ANGLES ± 2°		Winchester Electronics 400 Park Road Watertown, CT 06795	
<b>CUSTOMER DRAWING</b>		TITLE COMPLIANT PIN HIGH POWER RECEPTACLE	
DRAWN JWH	DATE 8/2/02	CHECKED RH	DATE 8/8/02
APPROVED JEM	DATE 8/8/02	APPROVED KJT	DATE 8/8/02
A 221-010-0060G		SHT. OF 1 1	REV. A