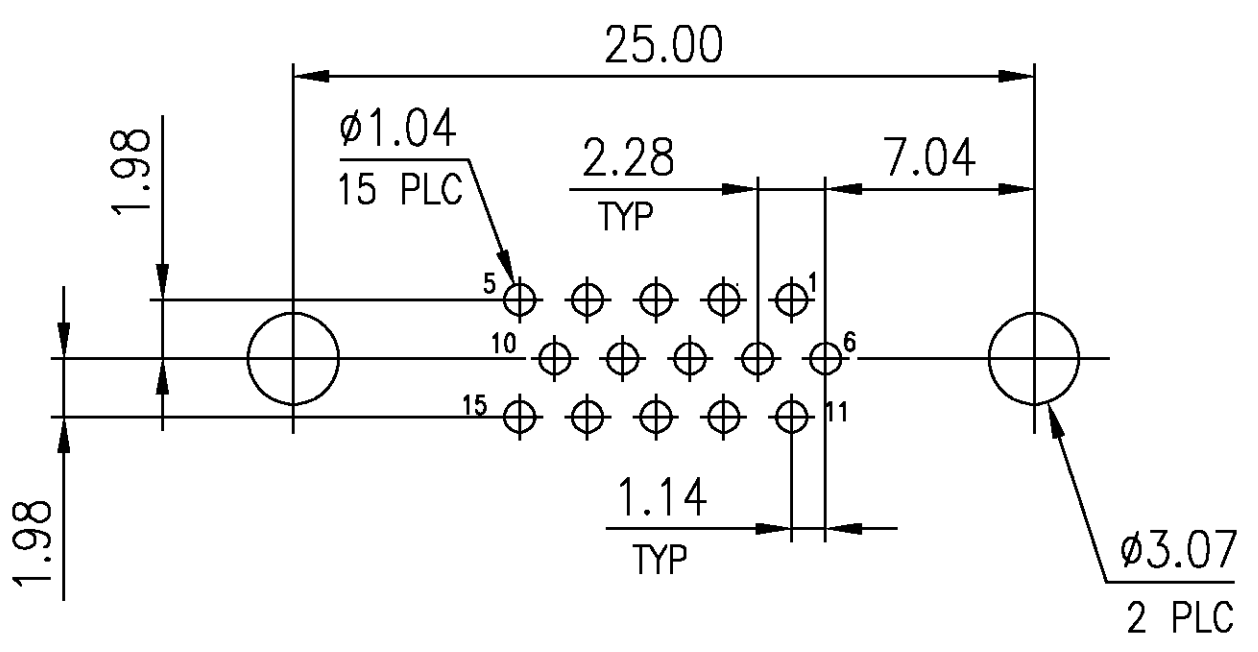
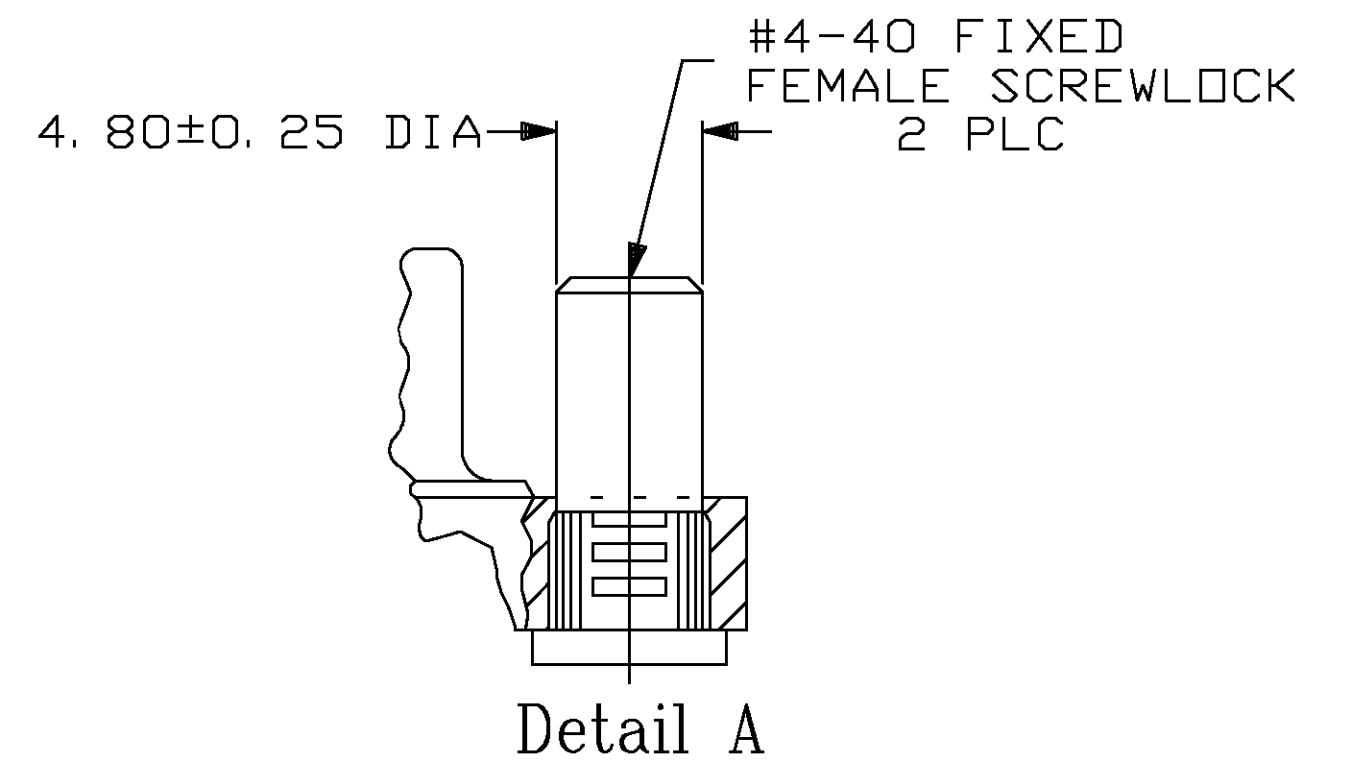
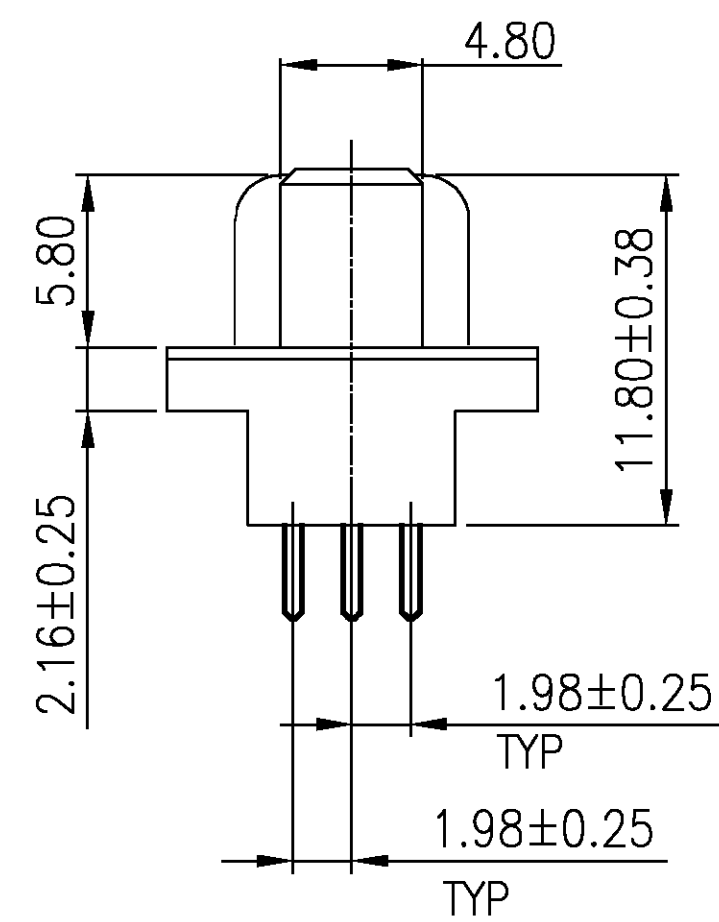
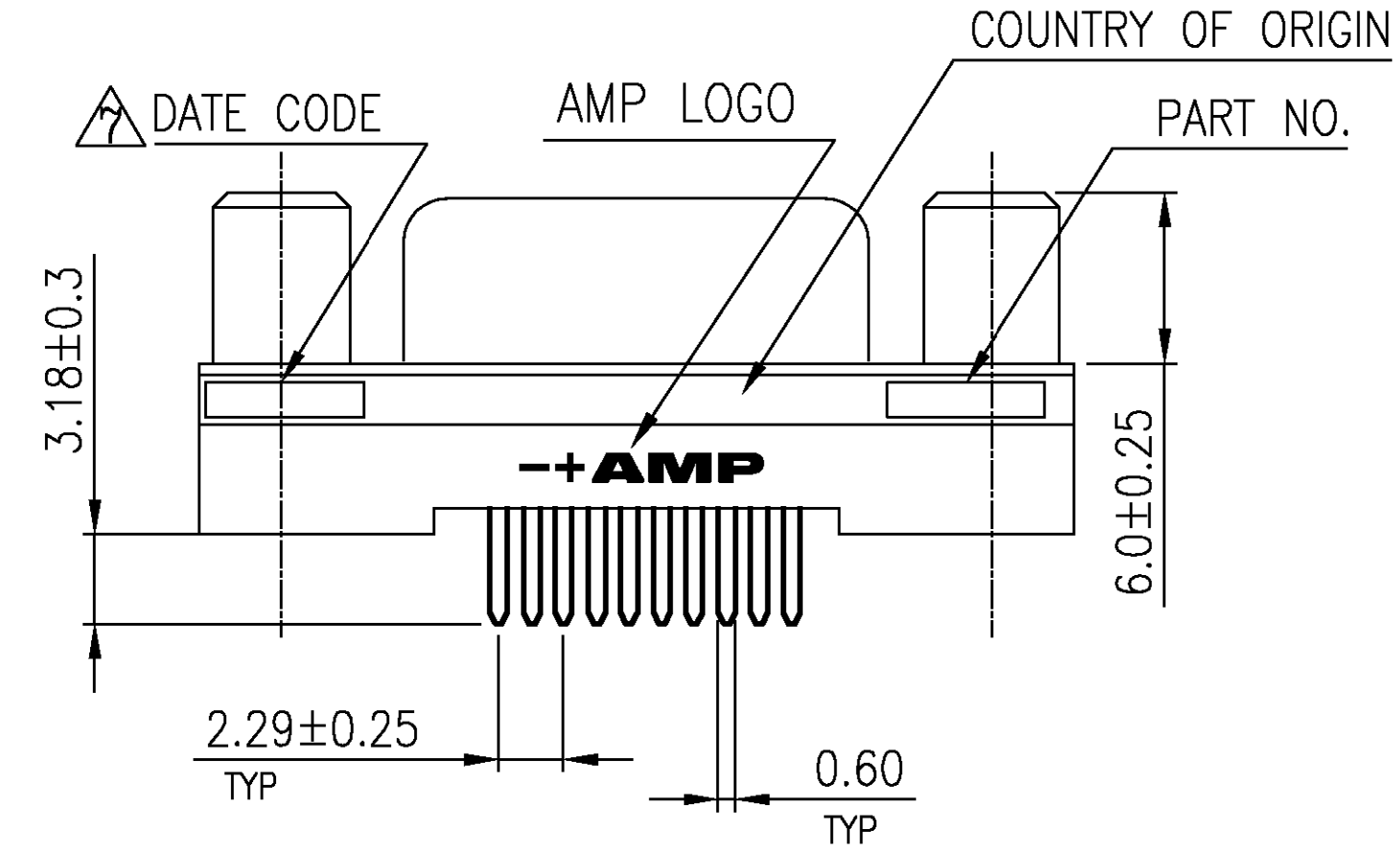
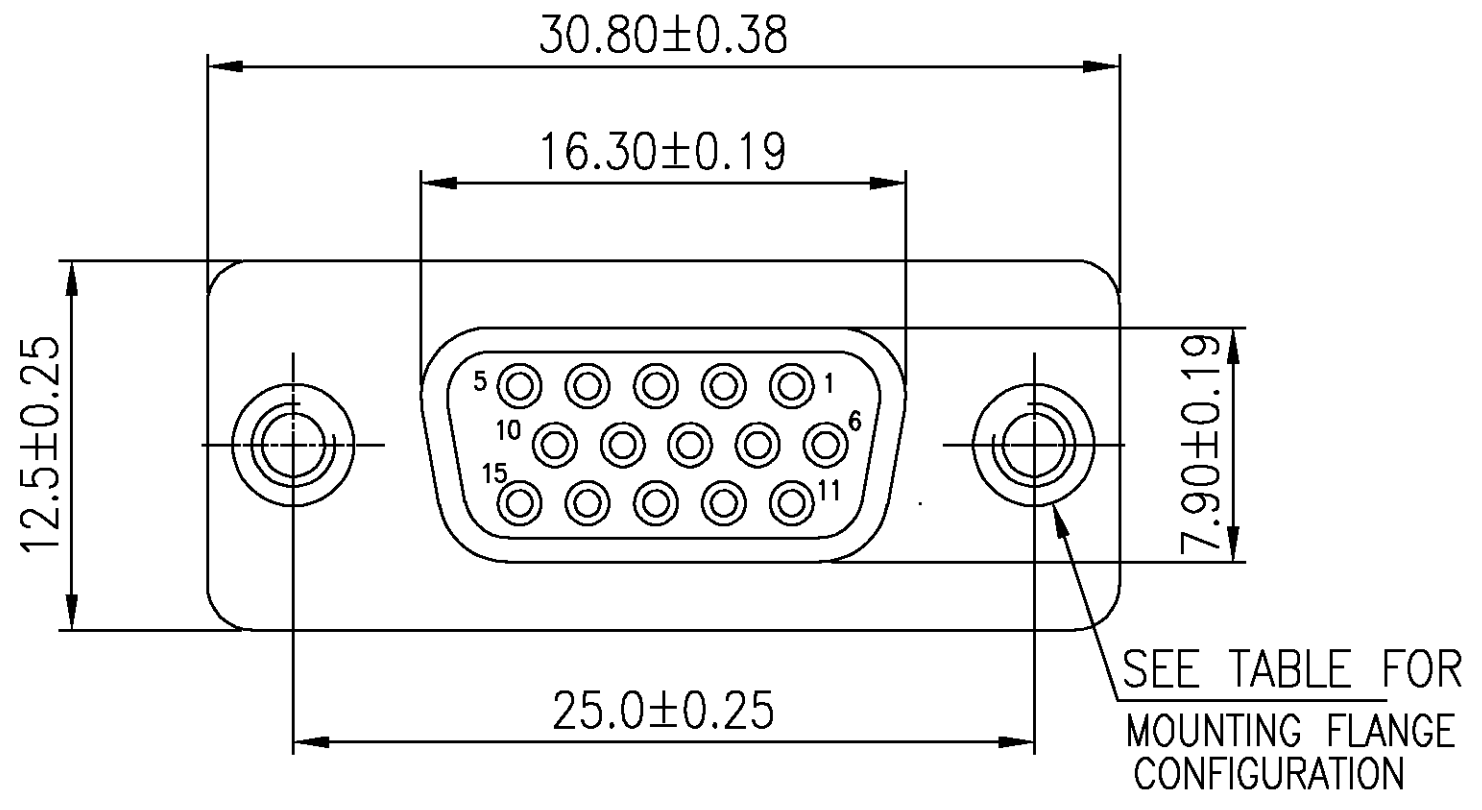
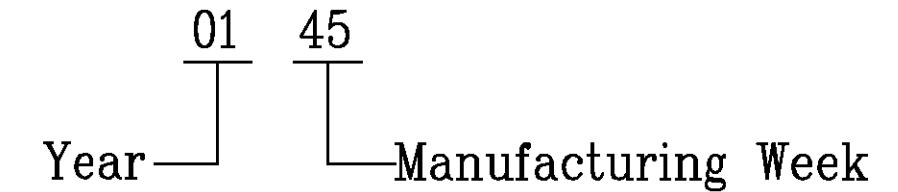


LOC	DIST	REVISIONS			
P	LTR	DESCRIPTION	DATE	DWN	APVD
GP	0	A	REVISED PER OS13-0092-02	22APR02	JB CC

**MATERIAL:**

- Housing: PBT , 25 % G.F polyester, Black. ( UL 94V-0 Rated )
  - Contact: Phos. Bronze.
  - Contact Plated: Gold Plated over 50u" Nickel underplated.
  - Solder Tail: Sn/Pb Plated 120u" over 50u" Nickel underplated.
  - Shell: Steel, Nickel Plated.
  - Rivet: Brass, Nickel plated 30u" Min.
- ⚠ Four digit date code in this format.



Tray	Detail A	Gold flash	786356-4
Tray	Detail A	15 μ"	786356-3
Tray	Detail A	30 μ"	786356-1
Packaging	Mounting Flange Config	Contact Finish	AMP Part NO.

DIMENSIONS:		TOLERANCES UNLESS OTHERWISE SPECIFIED:		APVD		NAME	
MM		0 PLC	± -	APVD	-	AMPLIMITE HD-22	
		1 PLC	± 0.30	PRODUCT SPEC	-	15 POS RECEPTACLE, VERTICAL	
		2 PLC	± 0.20	APPLICATION SPEC	-	SIZE	CAGE CODE
		3 PLC	± 0.10	WEIGHT	-	A2	00779
		4 PLC	± -	CUSTOMER DRAWING	-	786356	
		ANGLES	± 2°	SCALE	3:1	SHEET 1 OF 1	
		FINISH	-	REV	A		