

Linear Fan Speed Controller with OTP Function

Features

- Linear fan speed controller
- Wide fan speed control range
- Programmable anti-lock start up timer
- Programmable minimum fan speed
- Adjustable fan speed curve slope
- Programmable knee point and OTP point
- OTP protection with fault output
- NTC thermistor open full speed operation
- SOT-26 package

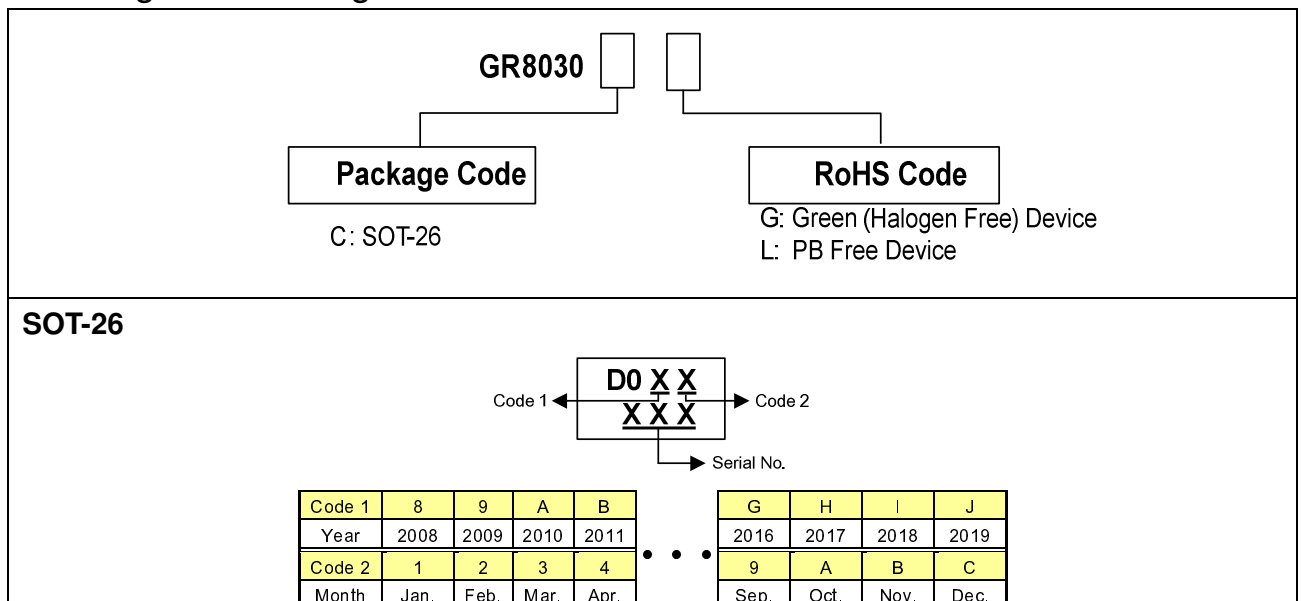
Applications

- LCD TV power supply
- Game machine power supply
- Industrial or medical power supply
- PC power supply
- Server power supply

Description

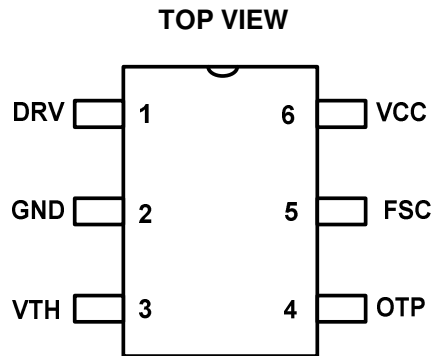
The GR8030 is designed for programming the curve of DC fan speed versus temperature via a NTC thermistor and few counts of passive components. The speed curve includes anti-lock with full speed operation time, minimum fan speed when at idle state, a knee point where fan speed starts to accelerate when temperature over the set point, a programmable slope of fan speed versus temperature, and OTP (over-temperature protection) trig point. The GR8030 sends a low level on FSC pin when the OTP pin is lower than the set point of temperature protection level. It is also built-in the NTC thermistor open with full speed operation function.

Ordering and Marking Information



Greenergy OPTO Inc. reserves the right to make changes to improve reliability or manufacture ability without notice, and advise customers to obtain the latest version of relevant information to verify before placing orders.

Pin Configuration

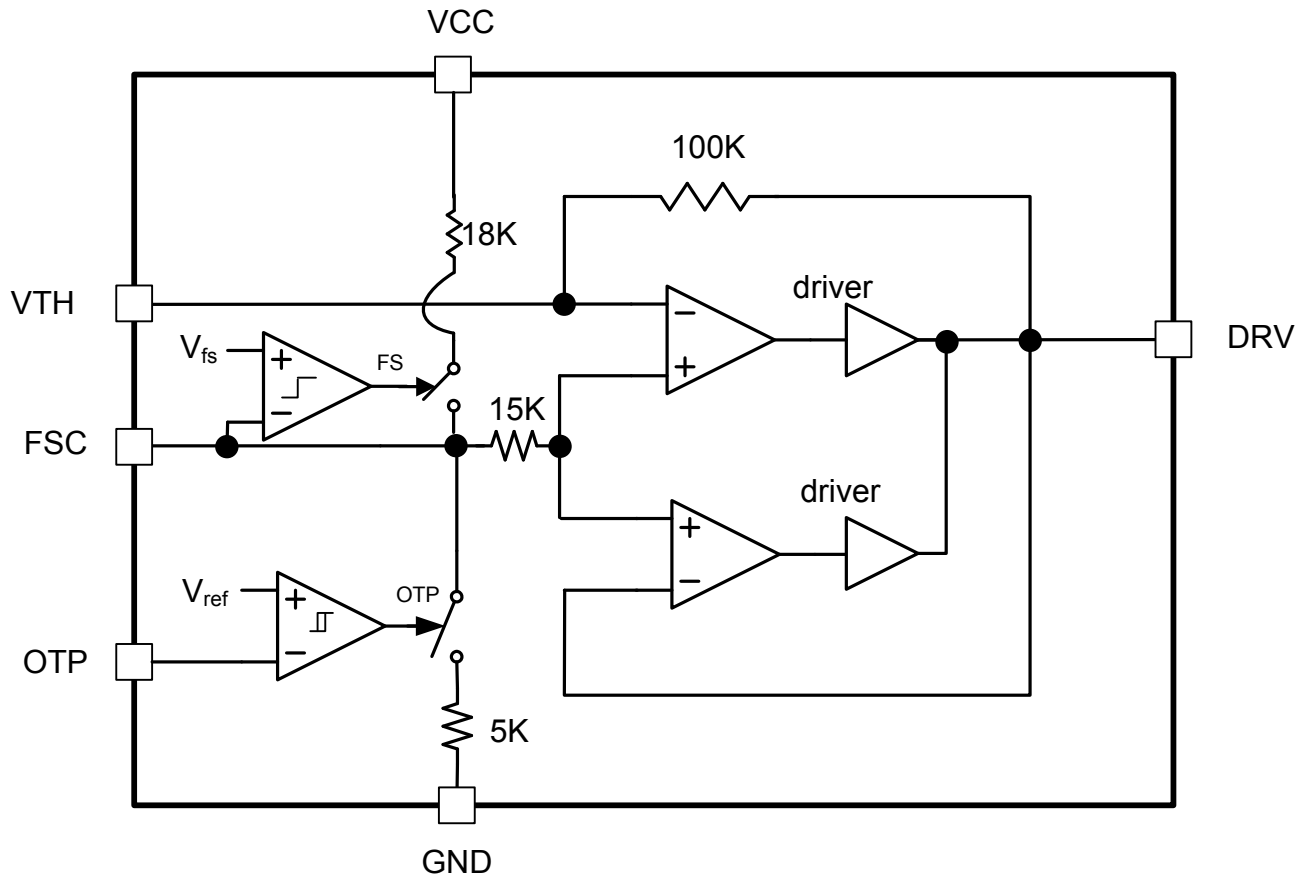


Pin Description

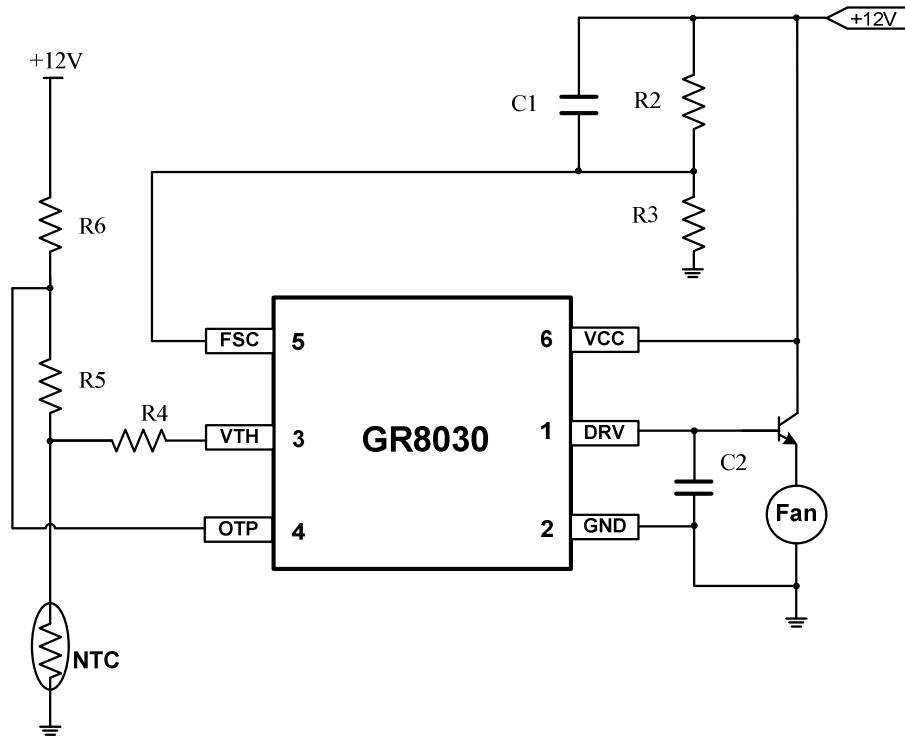
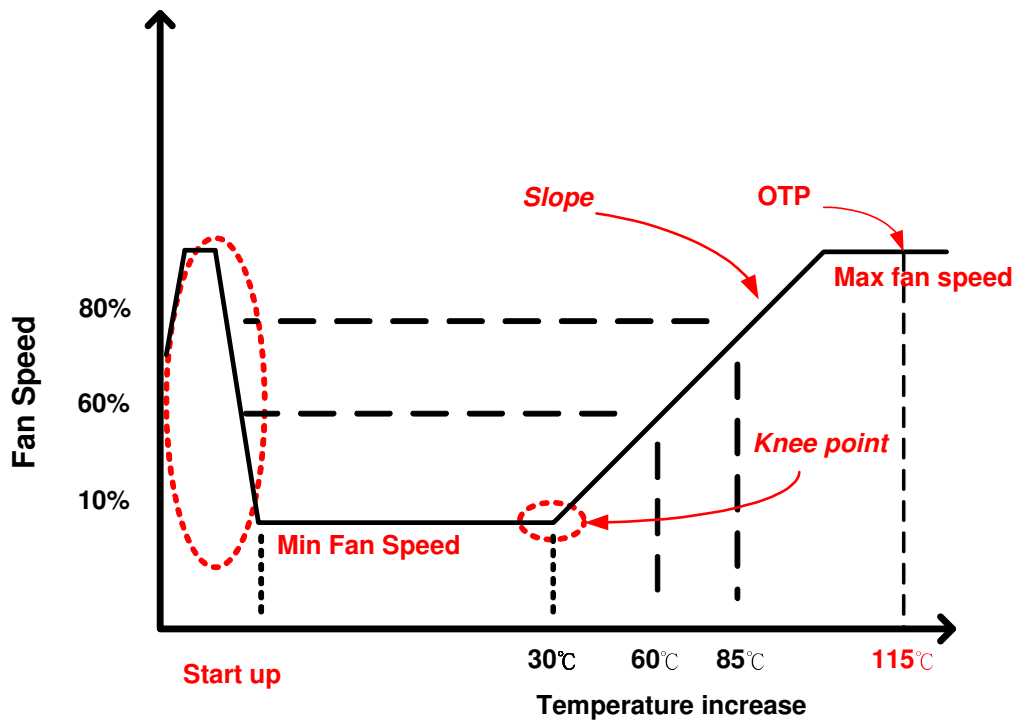
| Pin No. | Symbol | Description |
|---------|--------|--|
| 1 | DRV | Drive external BJT base |
| 2 | GND | Ground |
| 3 | VTH | Temperature sensor (NTC thermistor) input |
| 4 | OTP | Over-temperature trip point |
| 5 | FSC | Set minimum fan speed; output of OTP flag |
| 6 | VCC | Power supply |

Absolute Maximum Ratings

| | | |
|--|-------|-----------------|
| Supply voltage VCC | ----- | +20V |
| DRV, VTH, VFSC, OTP | ----- | -0.3 ~ VCC+0.3V |
| Junction temperature | ----- | 150°C |
| Operating ambient temperature | ----- | -20°C ~ 85°C |
| Storage temperature range | ----- | -65°C ~ 150 °C |
| SOT-26 package thermal resistance | ----- | 250°C/W |
| Power dissipation (SOT-26, at ambient temperature = 85°C) | ----- | 250mW |
| Lead temperature (All Pb free packages, soldering, 10 sec) | ----- | 260°C |
| ESD voltage protection, human body model | ----- | 2KV |
| ESD voltage protection, machine model | ----- | 200V |

Block Diagram

Electrical Characteristics ($V_{CC} = 12V$ and $T_A = 25^\circ C$, unless otherwise specified)

| Parameter | Conditions | Symbol | Min. | Typ. | Max. | Unit |
|--|--------------------------------------|----------------|------|------|------|------------|
| Operating voltage | | V_{CC} | 10 | | 17 | V |
| Operating current | DRV pin open | I_{CC} | | 200 | 300 | μA |
| Start up voltage | | V_{ST} | | 5 | | V |
| OTP detect voltage divider factor | $V_{OTP_IN} = V_{CC}/K_{OTP_IN}$ | K_{OTP_IN} | 2.92 | 2.96 | 3.00 | |
| OTP release voltage divider factor | $V_{OTP_OUT} = V_{CC}/K_{OTP_OUT}$ | K_{OTP_OUT} | 2.56 | 2.62 | 2.67 | |
| OTP detect voltage hysteresis | $V_{CC} = 12V$ | V_{OTP_HS} | | 500 | | mV |
| | $V_{CC} = 17V$ | | | 710 | | mV |
| NTC open full speed operation (OTP pin trig point) | $V_{CC}=12V$ | | 10.9 | | 11.7 | V |
| OTP pull low resistance | | R_{OTP} | 2.1 | 3 | 3.9 | k Ω |
| Output clamping voltage | $V_{CC} = 17V$ | V_{CLAMP} | 12 | 14 | 16 | V |

Typical Application Circuit

Typical Fan Speed Curve


Application Information

Minimum Fan Speed

The FSC pin is used to set the minimum output voltage of DRV pin (set the idle speed of fan). The level is decided by a voltage divider.

$$V_{FSC} = \frac{R_3}{R_2 + R_3} VCC$$

Knee Point

The DC fan begins to speed up at a specific temperature named knee point. The knee point can be changed by the resistors R5 and R6 in series with the NTC. R5 and R6 can be decided by below formula.

$$R_5 + R_6 = \frac{VCC - V_{FSC}}{V_{FSC}} \times R_{NTC}(T_KNEE)$$

Where $R_{NTC}(T_KNEE)$ is the resistance at knee point you set. A user can find the value from thermistor datasheet.

The Slope of Speed V.S. Temperature

By adjusting R4, the IC can provide different slope of the fan speed versus temperature curve. R_{NTC} is an approximated value during the slope range.

$$Slope = \frac{100K}{R_4 + (R_5 + R_6) // R_{NTC}}$$

Maximum Fan Speed

The DRV pin will pull high to 12V for maximum fan speed in 12V system. However, in 17V system, the DRV pin will be clamped at 14V for maximum fan speed limitation and protect fan from damaged.

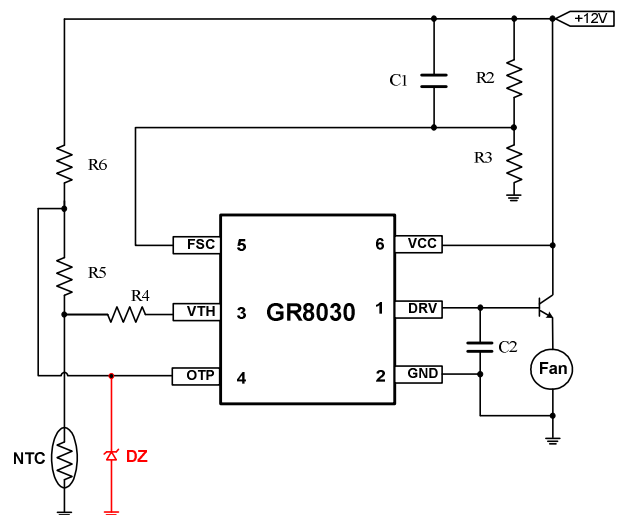
Anti-lock Start Up Timer

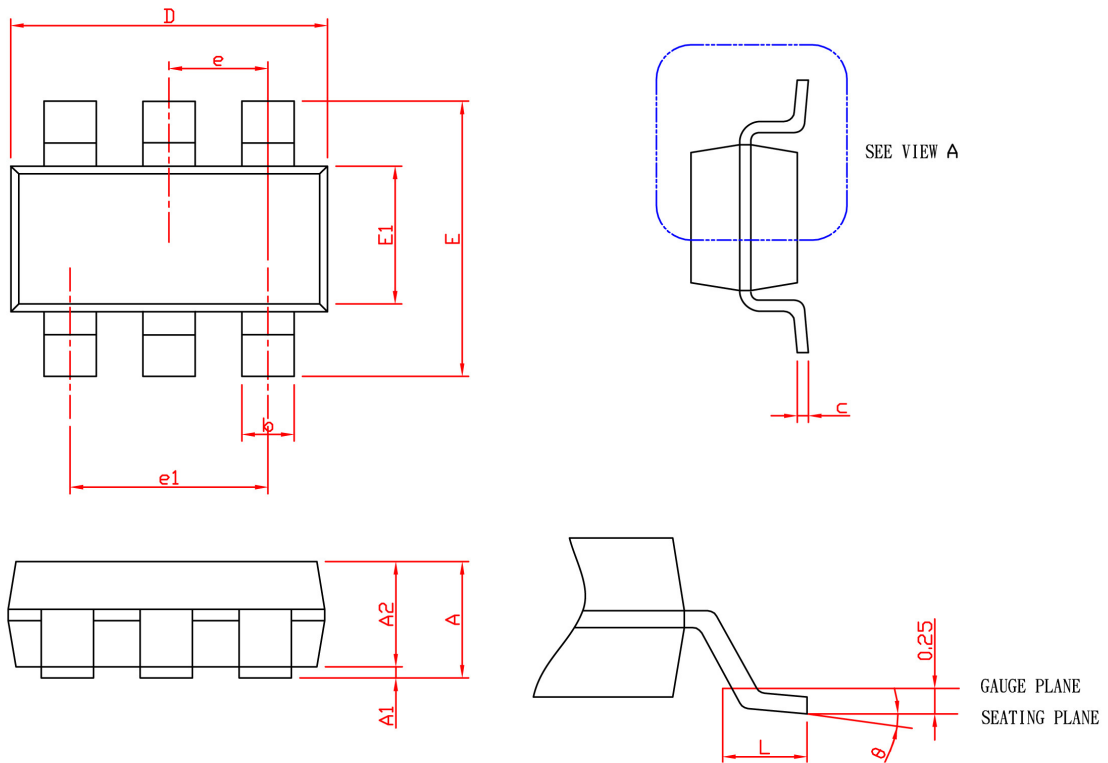
At start-up period, the DRV pin will output 12V. It drives the fan with maximum speed for a set period of time then drops to minimum voltage. The period

could be changed with different time constant $\tau = C_1 * (R_2 // R_3)$. The period of time is about 1.5τ for 12V supply voltage and 2τ for 17V supply voltage.

Over-temperature Protection

When the voltage of OTP pin is lower than the Vref, the DRV pin will output 12V to drive fan as maximum fan speed and the FSC pin will be pulled to low. Where $Vref = VCC * K_{OTPIN}$. Once the NTC thermistor is opened in accidentally, the DRV pin also outputs the high to fully drive the fan. In such situation, the voltage on OTP pin will higher enough to trig the NTC open comparator trip point 10.9V in minimum. The designer should take care the R5, R6 and NTC thermistor value at lower temperature. While at lower temperature, the OTP pin may be higher than NTC open trip point. The designer should be sure the voltage on OTP pin is lower than 10.9V at lower temperature. Or the designer does not need the NTC open protection function, that could parallel one 8~9V Zener diode on OTP pin to disable the function as shown in below figure.



Package Information


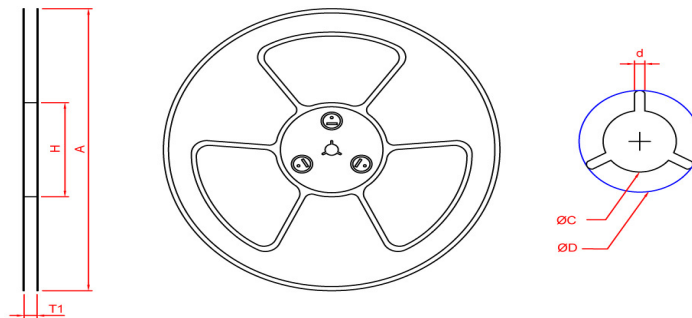
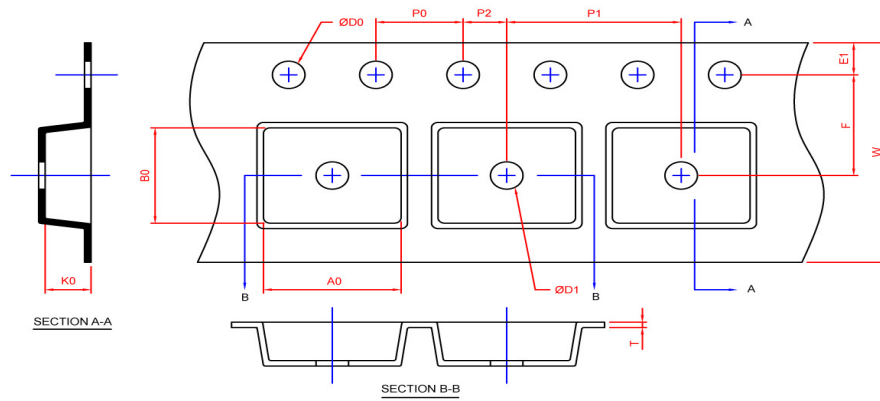
| SYMBOL | SOT-26 | | | |
|----------|-------------|------|-----------|-------|
| | MILLIMETERS | | INCHES | |
| | MIN. | MAX. | MIN. | MAX. |
| A | | 1.45 | | 0.057 |
| A1 | 0.00 | 0.15 | 0.000 | 0.006 |
| A2 | 0.90 | 1.30 | 0.035 | 0.051 |
| b | 0.30 | 0.50 | 0.012 | 0.020 |
| c | 0.08 | 0.22 | 0.003 | 0.009 |
| D | 2.70 | 3.10 | 0.106 | 0.122 |
| E | 2.60 | 3.00 | 0.102 | 0.118 |
| E1 | 1.40 | 1.80 | 0.055 | 0.071 |
| e | 0.95 BSC | | 0.037 BSC | |
| e1 | 1.90 BSC | | 0.075 BSC | |
| L | 0.30 | 0.60 | 0.012 | 0.024 |
| θ | 0° | 8° | 0° | 8° |

Note : 1. Followed from JEDEC TO-178 AB.

2. Dimension D and E1 do not include mold flash, protrusions or gate burrs. Mold flash, protrusions or gate burrs shall not exceed 10 mil per side.

Carrier Tape & Reel Dimensions

SOT-26



| Application | A | H | T1 | C | d | D | W | E1 | F |
|-------------|------------------|----------------|-------------------------|--------------------------|----------|-------------------------|-----------------|-----------------|-----------------|
| SOT-26 | 178.0 ± 2.00 | 50 MIN. | $8.4 + 2.00$ -0.00 | $13.0 + 0.50$ -0.20 | 1.5 MIN. | 20.2 MIN. | 8.0 ± 0.30 | 1.75 ± 0.10 | 3.5 ± 0.05 |
| | P0 | P1 | P2 | D0 | D1 | T | A0 | B0 | K0 |
| | 4.0 ± 0.10 | 4.0 ± 0.10 | 2.0 ± 0.05 | $1.5 + 0.10$ -0.00 | 1.0 MIN. | $0.6 + 0.00$ -0.40 | 3.20 ± 0.20 | 3.10 ± 0.20 | 1.50 ± 0.20 |

(mm)

| Application | Carrier Width | Cover Tape Width | Devices Per Reel |
|-------------|---------------|------------------|------------------|
| SOT -26 | 8 | 5.3 | 3000 |

Taping direction information

SOT-26

