

REV	DESCRIPTION	BY	DATE	APPD
J	REVISED AND REDRAWN PER ECR-ER1047	ANG	CT	PSM
			12/05/06	12/05/06

NOTES: UNLESS OTHERWISE SPECIFIED

1. FOR GENERAL SERIES SPECIFICATIONS, SEE SD22-0000.

2. MATERIALS:

BODY: BERYLLIUM COPPER PER ASTM B196

CLIP RING: BERYLLIUM COPPER PER ASTM B194

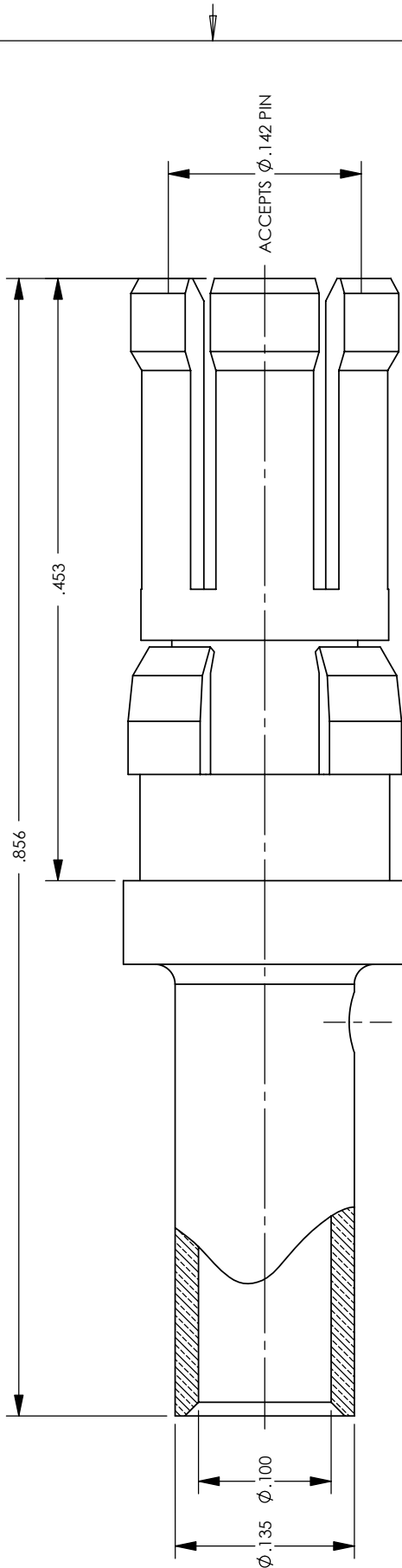
3. FINISH:

BODY: .000030 MIN. GOLD PER ASTM B488 OVER

.000080 MIN. NICKEL PER AMS-QQ-N-290

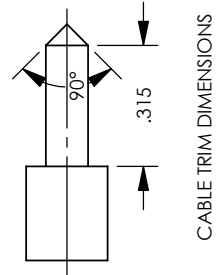
CLIP RING: .000100 MIN. NICKEL PER AMS-QQ-N-290

OVER COPPER FLASH PER ASTM B734



CATALOG P/N: 221-910-0001G

PER ASME Y14.5M-1994 UNLESS OTHERWISE SPECIFIED: DIMENSIONS ARE IN INCHES (MM) TOLERANCES: DECIMAL: .XX [X.XX] ± .005 [0.13] ANGLES: ± 2° SCALE: 8:1		DATE APPROVED 04/16/98 JMC DATE APPROVED 04/16/98 PAT	DATE 04/16/98 DATE 04/16/98
<b>CUSTOMER DRAWING</b>		RDM HIGH POWER CRIMP RECEPTACLE	
DRAWN KJT		DATE APPROVED 04/16/98 PAT	
APPROVED PAT		DATE APPROVED 04/16/98 PAT	



REV	J
SD221-910-0001G	SHT 1 OF 1