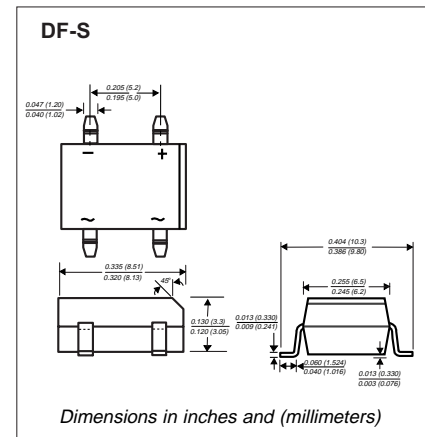


DF15005S - DF1510S

■ Features

- Glass passivated chip junctions
- Low Forward Voltage Drop, High Current Capability
- Surge Overload Rating to 50A Peak



■ Absolute Maximum Ratings Ta = 25°C

Parameter	Symbol	DF15005S	DF1501S	DF1502S	DF1504S	DF1506S	DF1508S	DF1510S	Unit	
Peak Repetitive Reverse Voltage	V _{RMM}									
Working Peak Reverse Voltage	V _{RWM}	50	100	200	400	600	800	1000	V	
DC Blocking Voltage	V _{DC}									
RMS Reverse Voltage	V _{RMS}	35	70	140	280	420	560	700	V	
Average Forward Rectified Current TA=@ 40°C	I _O	1.5								A
Non-Repetitive Peak Forward Surge Current, 8.3 ms Single half-sine-wave Superimposed on Rated Load (JEDECmethod)	I _{FSM}	50								A
Forward Voltage (per element) @ I _F = 1.5A	V _F	1.1								V
Reverse Current(per element) @ Rated V _R , TA = 25°C TA = 125°C	I _R	10 500								μA
Rating for fusing (t < 8.3ms)	I ² t	10								A ² s
Typical Total Capacitance (per element) (Note 1)	C _J	25								pF
Typical Thermal Resistance, Junction to Ambient (Note 2)	R _{θJA}	40								°C/W
Operating and Storage Temperature Range	T _j , T _{stg}	-55 to +150								°C

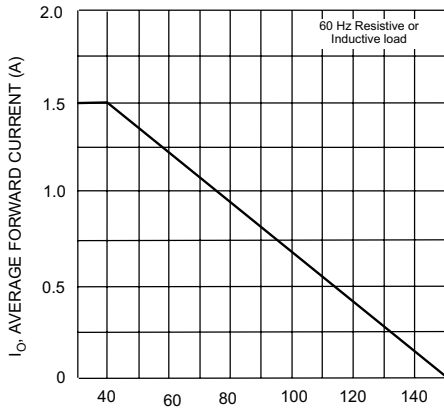
Notes: 1. Measured at 1.0 MHz and Applied Reverse Voltage of 4.0V DC.

2. Device mounted on PCB with 0.5 × 0.5" (13 × 13mm).

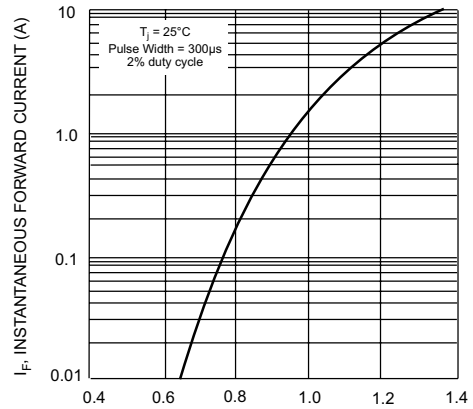


DF15005S - DF1510S

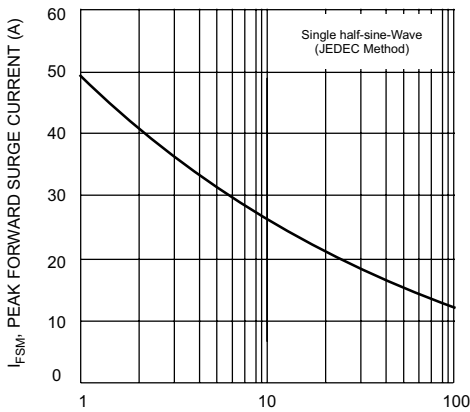
Typical Characteristics



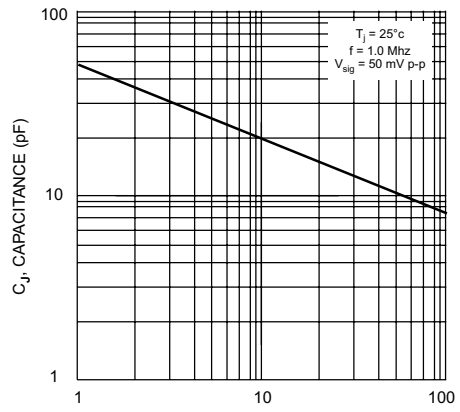
T_A , AMBIENT TEMPERATURE (°C)
Fig. 1 Output Current Derating Curve



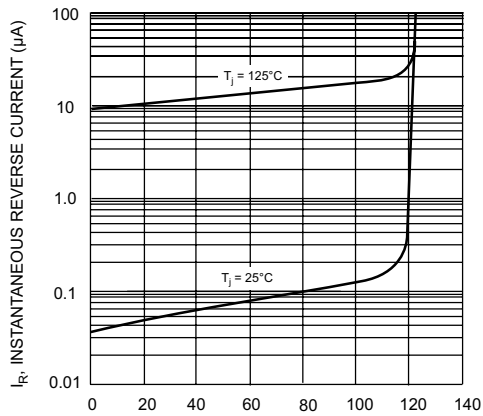
V_F , INSTANTANEOUS FORWARD VOLTAGE (V)
Fig. 2 Typ Forward Characteristics (per element)



NUMBER OF CYCLES AT 60 Hz
Fig. 3 Max Non-Repetitive Peak Forward Surge Current



V_R , REVERSE VOLTAGE (V)
Fig. 4 Typ Junction Capacitance (per element)



PERCENT OF RATED PEAK REVERSE VOLTAGE (%)
Fig. 5 Typ Reverse Characteristics (per element)