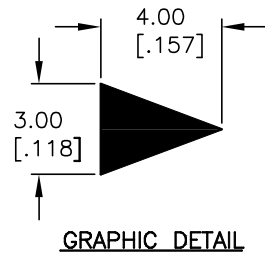
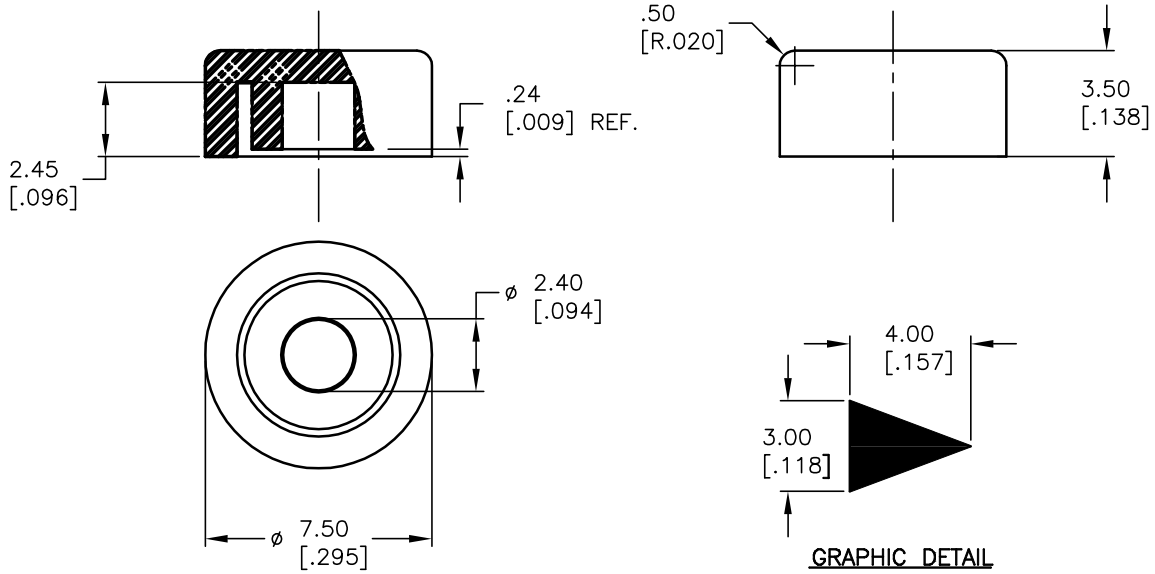


WHITE GRAPHIC ARROW
CENTERED ON BUTTON
SEE DETAIL FOR SIZE
ORIENTATION TO BE
DETERMINED



NOTES:

1. ALL DIMENSIONS IN MM [INCH]
2. GENERAL TOLERANCE: X.X=±0.4
X.XX=±0.25
3. MATERIAL: NYLON 6/6 VYDYNE FROM MONSANTO
UL94-V2
4. USE RAW CAP NUMBER T800200

E-SWITCH®

A	14249	RELEASED FOR PRODUCTION	8/18/04	AR
REV.	ECN No.	DESCRIPTION	DATE	CHKD

TITLE 800C2BLKWHT ARROW

<small>THE INFORMATION CONTAINED IN THIS DOCUMENT IS PROPRIETARY TO E-SWITCH AND IS NOT TO BE COPIED OR TRANSFERRED</small>				
SCALE	DATE	DR	DWG	REV
4:1	8/18/04	AR	B800207	A