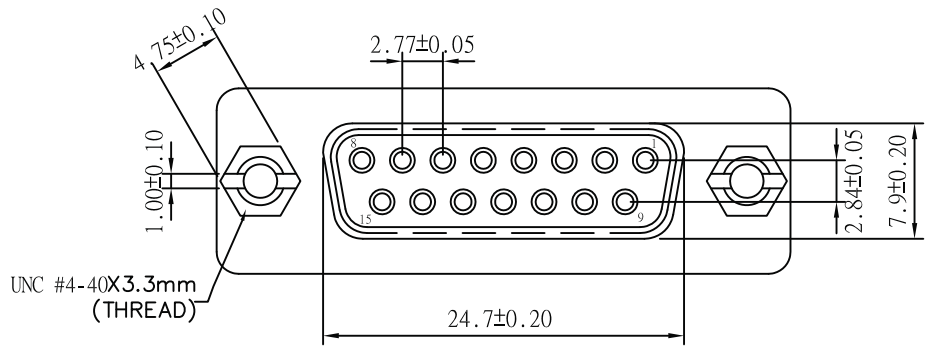
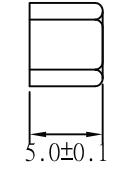
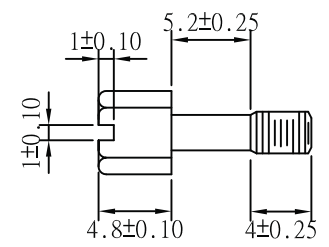


A



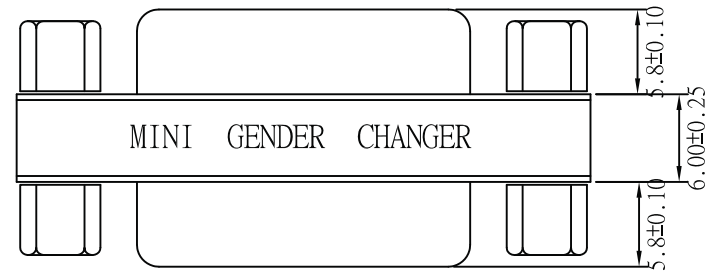
UNC #4-40 Hexscrew

UNC #4-40 Hexnut



B

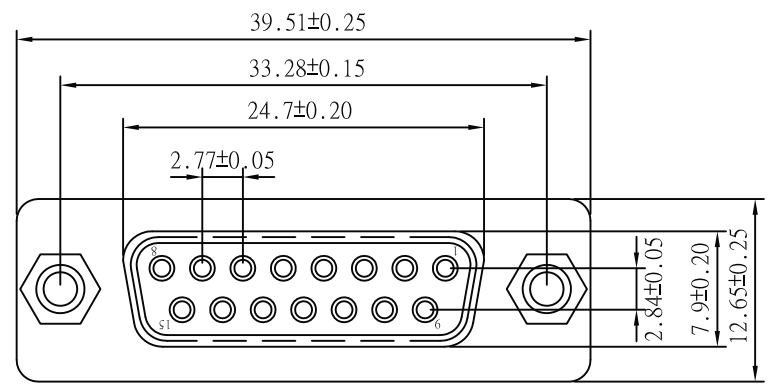
C



Pin Out	
15P-Female	15P-Female
1	1
2	2
14	14
15	15
G	G

D

E



Material:

- Insulator: PBT Glass fibre reinforced UL 94 V0
- Contact: Brass
- Contact plating: Gold plated over nickel
- Shell: Tin plated shell
- Yellow label with black characters

F

Unit: MM

G

Scale	1:1						Name	Item No.
TOLERANCE							Chappell	AB413-R
X.X	±0.40				Drawn	11.22.11		
X.XX	±0.25				Approved			
X.XXX	±0.15							
Angle	±3°							
								Title
								Mini Gender Changer - D-Sub 15 Pin Female <=> D-Sub 15 Pin Female
								Drawing No.
								rev00
								Replace
								Sheet



H