



### Features


- ◇ For IF SAW filter
- ◇ High attenuation
- ◇ Single-ended operation
- ◇ Dual In-line Package
- ◇ RoHS compliant (2002/95/EC), Pb-free

### Specifications

Parameter	Unit	Minimum	Typical	Maximum
<i>Center Frequency</i>	MHz	39.9	40	40.1
<i>Insertion Loss</i>	dB	-	25.9	28
<i>3dB Bandwidth</i>	MHz	8.9	9.03	-
<i>35dB Bandwidth</i>	MHz		9.74	9.8
<i>45dB Bandwidth</i>	MHz		9.83	10
<i>Passband Variation</i>	dB	-	0.6	1.2
<i>Absolute Delay</i>	usec	-	3.76	4.0
<i>Ultimate Rejection</i>	dB	45	48	-
<i>Material Temperature coefficient</i>	KHz/°C		-3.76	
<i>Substrate Material</i>	-		YZ-LN	
<i>Ambient Temperature</i>	°C		25	
<i>Operating Temperature Range</i>	°C	-25	-	+85
<i>Storage Temperature Range</i>	°C	-45	-	+105
<i>DC Voltage</i>	V		0	
<i>Input Power</i>	dBm	-	-	10
<i>ESD Class</i>	-		1A	
<i>Package Size</i>		DIP3512 (35.0*12.8*4.7mm3)		

#### Notes:

1. All specifications are based on the test circuit shown;
2. In production, all specifications are measured by Agilent Network analyzer and full 2 port calibration at room temperature;
3. Electrical margin has been built into the design to account for the variations due to temperature drift and manufacturing tolerances;
4. This is the optimum impedance in order to achieve the performance show.

	<b>SIPAT Co., Ltd.</b> <i>( CETC No.26 Research Institute )</i> #14 Nanping Huayuan Road, Chongqing, China, 400060	Part Number	LBN04001	
		Rev. Date	2012-05-11	
		Ver.	1.0	Page 1/3

### Matching Configuration

手动测试座

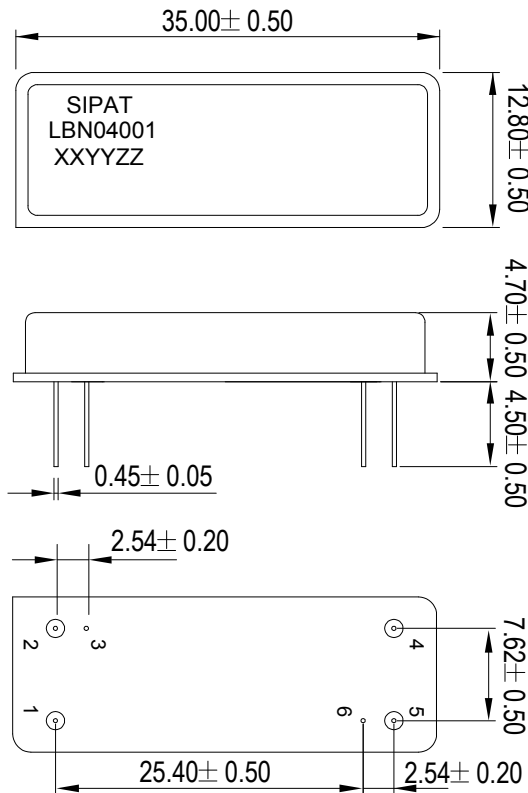


**L1=470nH**

**Source/Load Impedance=50 ohm**

Notes - Component values may change depending on board layout.

### Package Dimension



#### Pad Configuration:

Input 1  
Output 5  
Ground 2、3、4、6

#### Marking Configuration:

- 1) SIPAT: Manufacturer Name
- 2) LBN04001: Part Number
- 3) XXYY: Date(Year/month)
- 4) ZZ: Identified Code

**Package: DIP3512**

**Unit: mm**

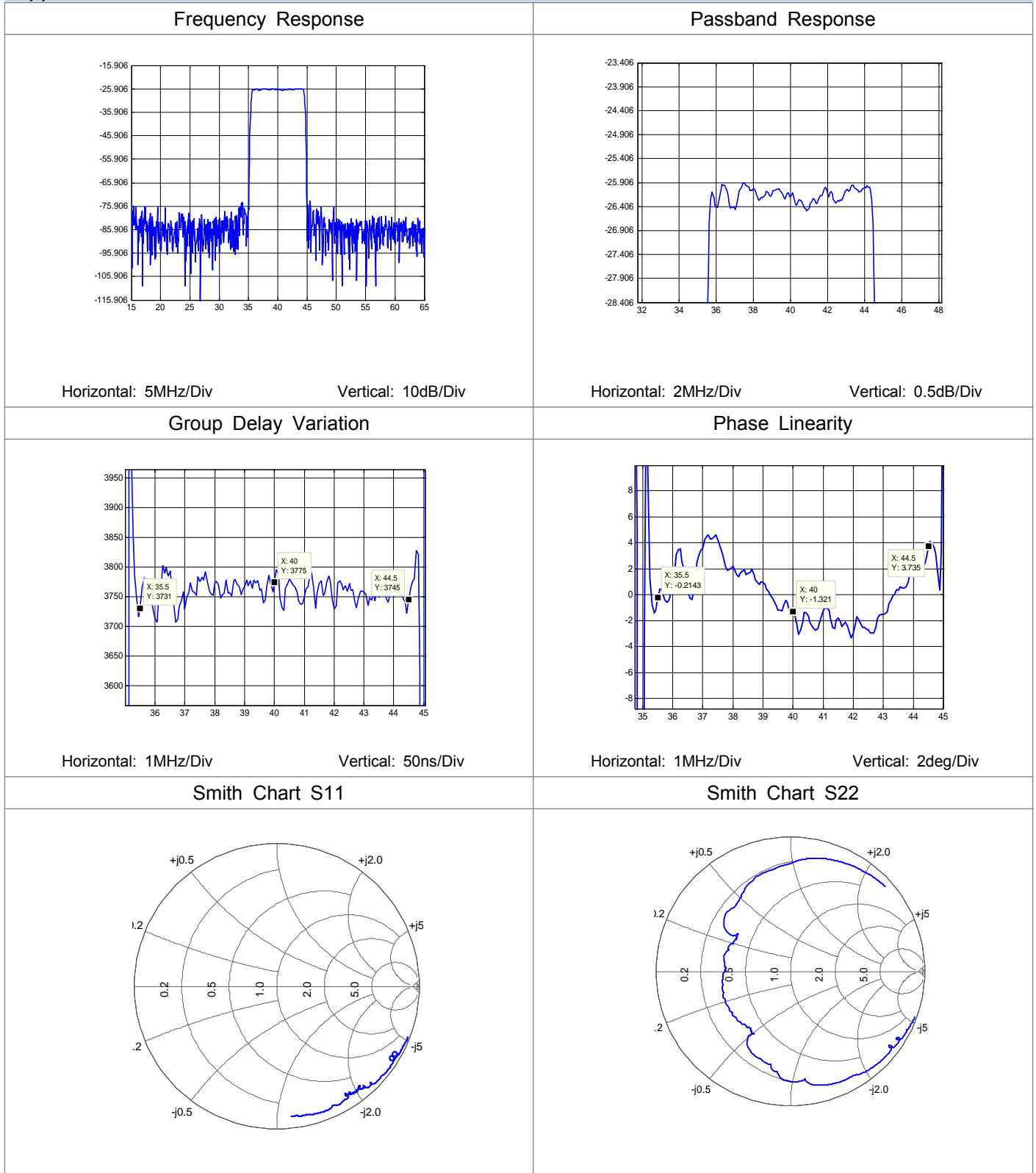


**SIPAT Co., Ltd.**  
( CETC No.26 Research Institute )  
#14 Nanping Huayuan Road,  
Chongqing, China, 400060

Part Number	LBN04001	
Rev. Date	2012-05-11	
Ver.	1.0	Page 2/3



Typical Performance



**SIPAT Co., Ltd.**  
( CETC No.26 Research Institute )  
#14 Nanping Huayuan Road,  
Chongqing, China, 400060

Part Number	LBN04001	
Rev. Date	2012-05-11	
Ver.	1.0	Page 3/3