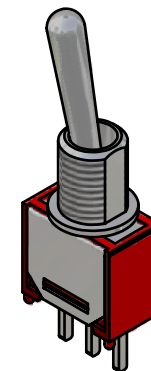
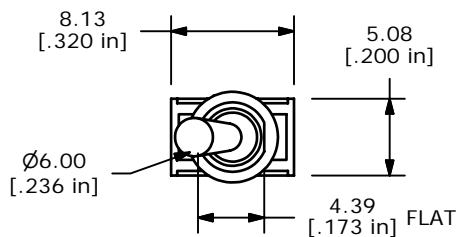
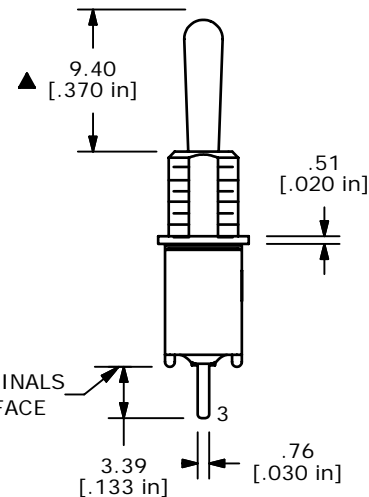
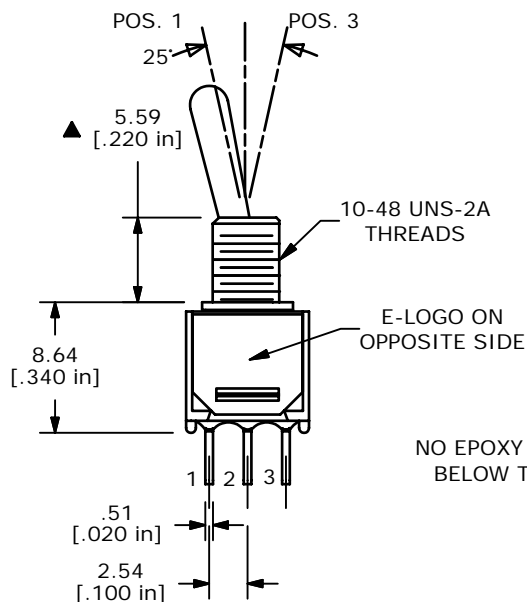
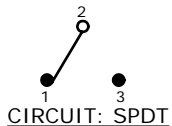


P.C. MOUNTING



ISOMETRIC

SWITCH FUNCTION		
POS. 1	POS. 2	POS. 3
ON	NONE	ON
2-3	OPEN	2-1



NOTE:

1. ALL DIMENSIONS IN MM [INCH]
2. GENERAL TOLERANCE: X.X=±0.4
X.XX=±0.25
3. TERMINAL NUMBERS FOR REF ONLY
- ▲ 4. PLATING MATERIAL: SILVER
5. RATING: 3 AMPS @ 120VAC OR 28VDC UL, CUL
1 AMPS @ 250VAC UL, CUL
6. ELECTRIC LIFE: 30,000 MAKE-AND-BREAK CYCLES AT FULL LOAD.
7. INSULATION RESISTANCE: 1,000 MEGA-OHM MIN.
8. DIELECTRIC STRENGTH: 1,000 V RMS @SEA LEVEL.
9. OPERATING TEMP.: -30°C to 85°C
10. ▲ DENOTES CRITICAL PARAMETER.
11. HARDWARE TO BE SHIPPED BULK
T200001 - HEXNUT - QTY 2
T200000 - LOCKWASHER - QTY 1
T200002 - LOCKRING - QTY 1.
12. 2002/95/EC (ROHS) COMPLIANT

E-SWITCH®

B	15577	CHANGED HEX NUT NUMBER, ROHS NOTE	12/2/05	PH
A	15087	NEW RELEASE	7/21/05	RC
REV	PCR NO	DESCRIPTION	DATE	BY

TITLE 200MSP4T1B1M2REH				
SCALE 2:1	DATE 7/21/2005	DR RC	DWG ST214003	REV B

THE INFORMATION CONTAINED IN THIS DOCUMENT IS PROPRIETARY TO E-SWITCH AND IS NOT TO BE COPIED OR TRANSFERRED