

Customer Information Sheet

DRAWING No.: M50-430XX45

SHEET 2 OF 2

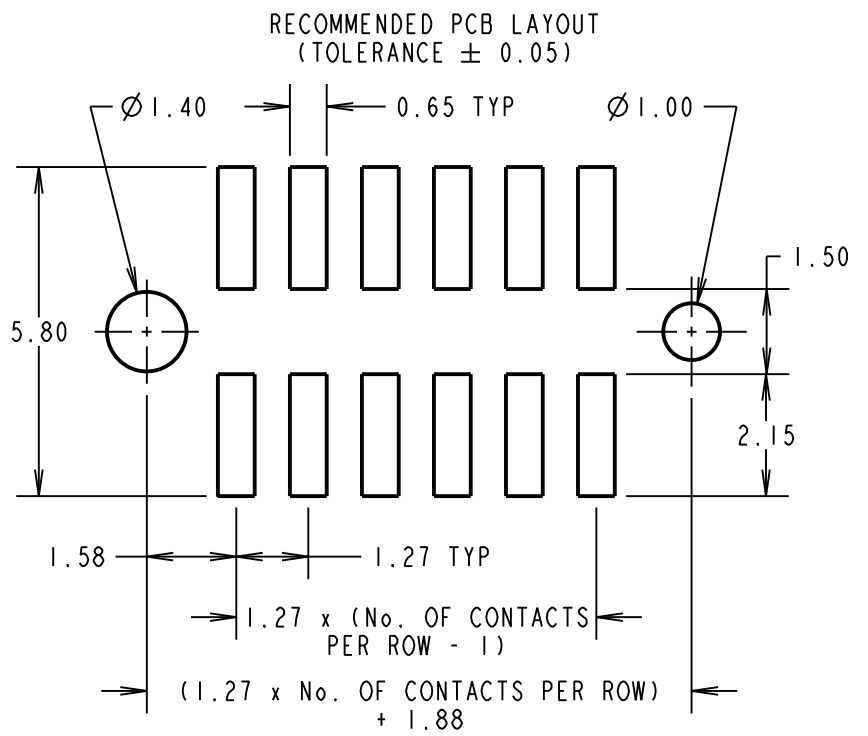
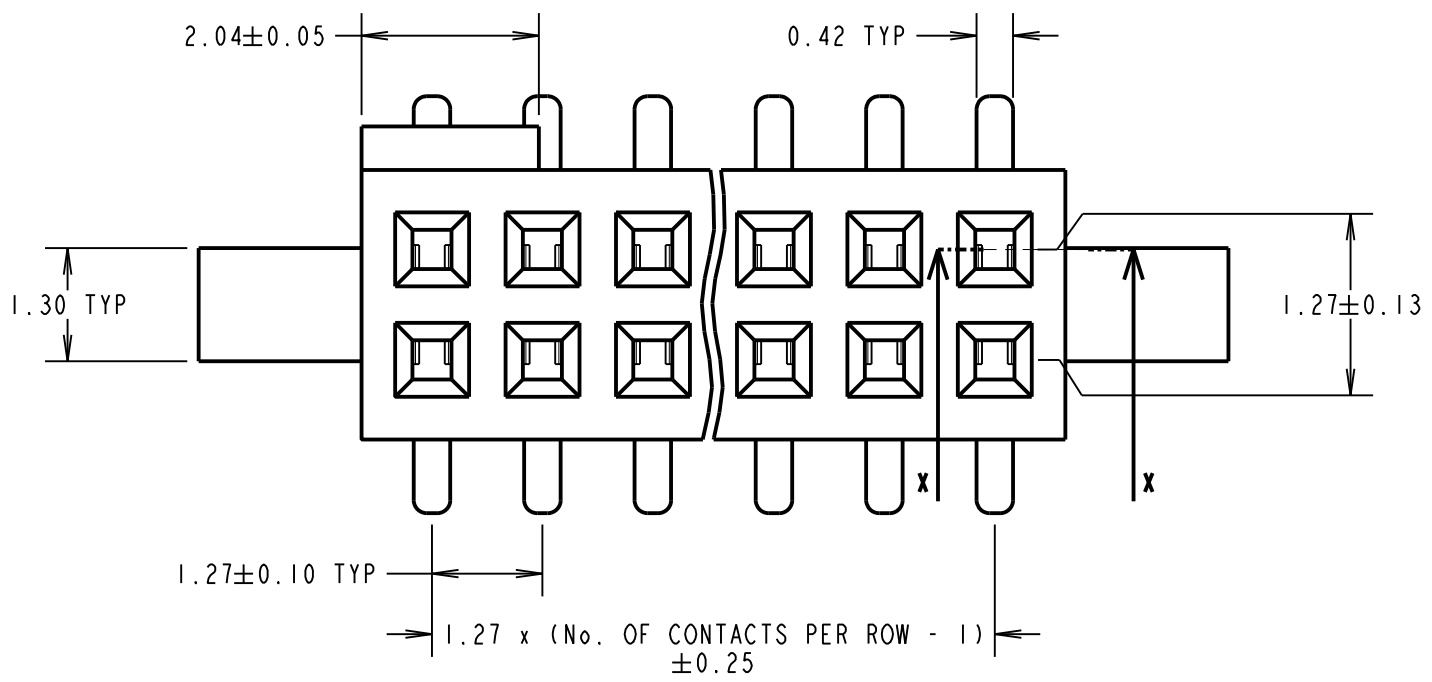
IF IN DOUBT - ASK

©

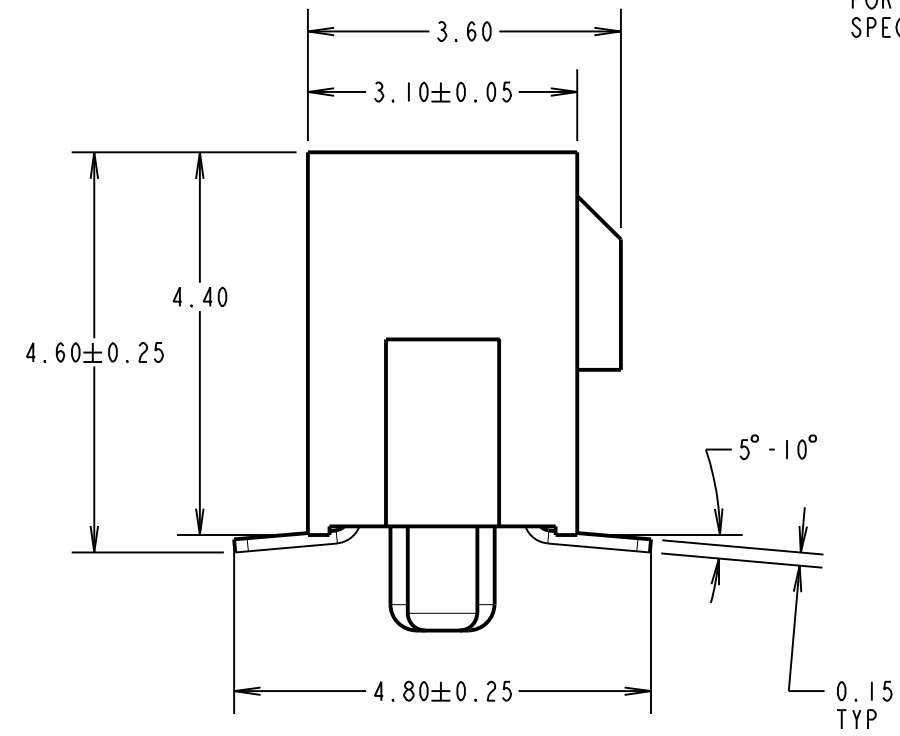
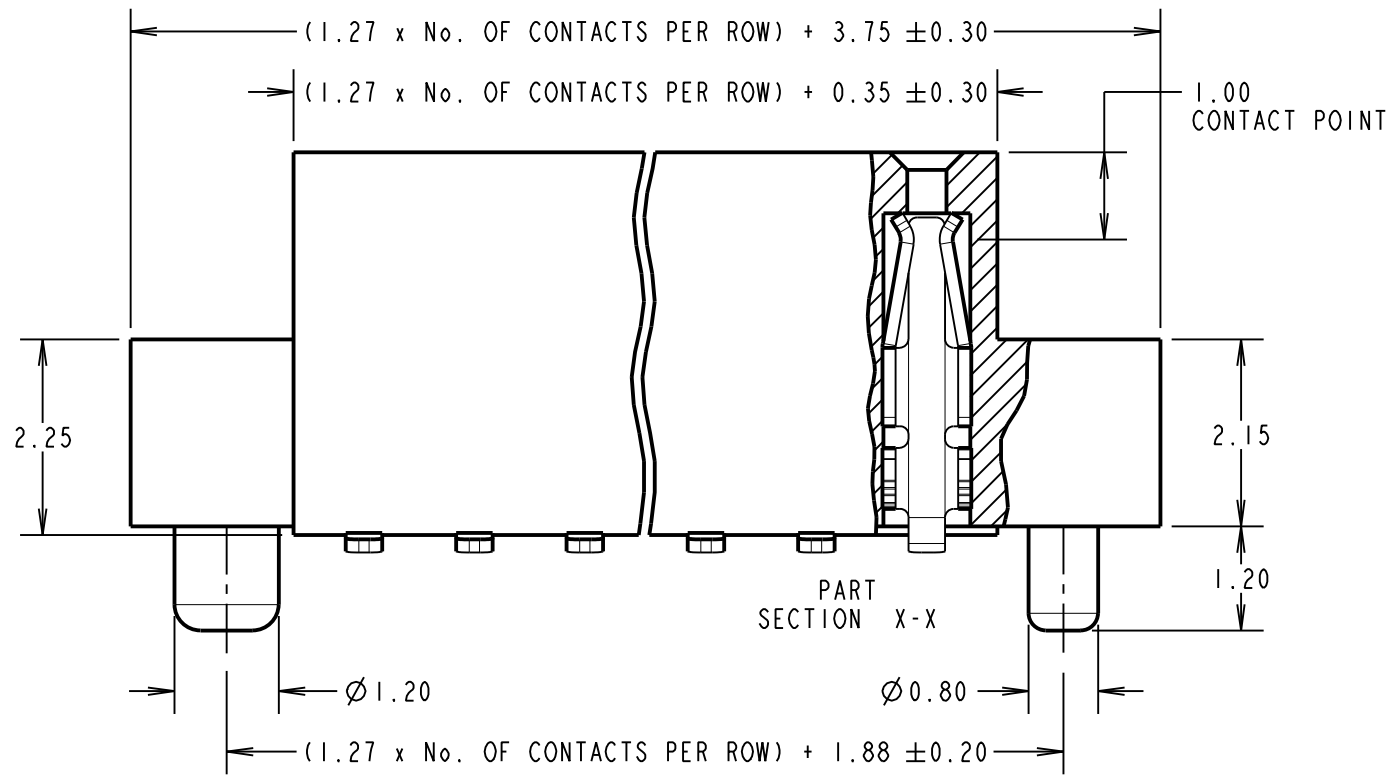
NOT TO SCALE

THIRD ANGLE PROJECTION

ALL DIMENSIONS IN mm



SPECIFICATIONS:
MATERIAL:
 MOULDING = LCP UL94V-0, BLACK
 CONTACT = PHOSPHOR BRONZE
FINISH:
 CONTACT = GOLD
ELECTRICAL:
 CURRENT RATING = 1A
 VOLTAGE PROOF = 500V AC FOR ONE MINUTE
 CONTACT RESISTANCE = $20m\Omega$ MAX
 INSULATION RESISTANCE = $1000 M\Omega$ MIN
MECHANICAL:
 INSERTION FORCE = 2.00N MAX
 WITHDRAWAL FORCE = 0.15N MIN
 DURABILITY = 100 CYCLES MIN
ENVIRONMENTAL:
 OPERATING TEMPERATURE = -40°C TO $+105^{\circ}\text{C}$
PACKING:
 TUBE
 FOR COMPLETE SPECIFICATION, SEE COMPONENT SPECIFICATION C029XX (LATEST ISSUE).



ORDER CODE:
M50-430XX45
 No. OF CONTACTS PER ROW: _____
 03 TO 50
 FINISH: _____
 GOLD ALL OVER CONTACT

NOTES:
 1. ALL TOLERANCES ARE ± 0.12 UNLESS OTHERWISE STATED.

HARWIN
 www.harwin.com
 technical@harwin.com

THIS DRAWING AND ANY INFORMATION OR DESCRIPTIVE MATTER SET OUT HEREON ARE CONFIDENTIAL AND COPYRIGHT PROPERTY OF THE HARWIN GROUP AND MUST NOT BE DISCLOSED, LOANED, COPIED OR USED FOR MANUFACTURING, TENDERING OR FOR ANY OTHER PURPOSE WITHOUT THEIR WRITTEN PERMISSION.

TOLERANCES
~~X = ± 1 mm~~
~~X.X = ± 0.25 mm~~
~~X.XX = ± 0.10 mm~~
~~X.XXX = ± 0.01 mm~~
 ANGLES = $\pm 5^{\circ}$
 UNLESS STATED

MATERIAL:
 SEE ABOVE
FINISH: SEE ABOVE
S/AREA: mm²

TITLE:
 1.27mm PITCH DIL VERTICAL SMT SOCKET ASSY
DRAWING NUMBER:
M50-430XX45
 SHT 2 OF 2

SB	9	29.07.13	11873
NAME	ISS.	DATE	C/NOTE
APPROVED:		S.BENNETT	
CHECKED:		S.FLOWER	
DRAWN:		J. ENRIGHT	
CUSTOMER REF.:			
ASSEMBLY DRG:			