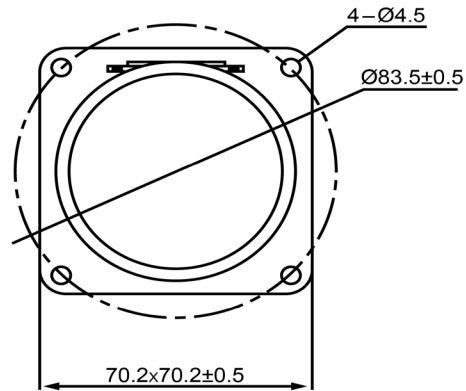
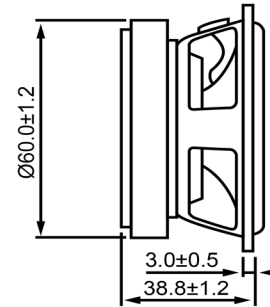



TOP VIEW



SIDE VIEW



Specifications			Notes	Revision History					
Description	Value	Unit		Version	Description	Date	Approved		
Shape	Rectangle		1) All dimensions are in mm unless otherwise noted 2) All parts meet RoHS 	1	Released from Engineering	10/21/2013	J.S		
Resonant Frequency	95	(Hz)							
Frequency Range	95 ~ 3,500	(Hz)							
SPL @ 10cm	96	(dBA)							
Impedance	8	(Ohm)							
Cone Material	Paper								
Nominal Power	10	(W)							
Max Power	15	(W)							
Mount Type	Frame								
Operating Temperature	-25 ~ +55	°C							
Storage Temperature	-25 ~ +55	°C							
Weight	288	(g)							
			Dynamic Speaker			SP700108-1			
				Drawn by	Date	Checked by	Date	Approved by	Date
				A.B.	10/21/2013	C.E.	10/21/2013	J.S	10/21/2013