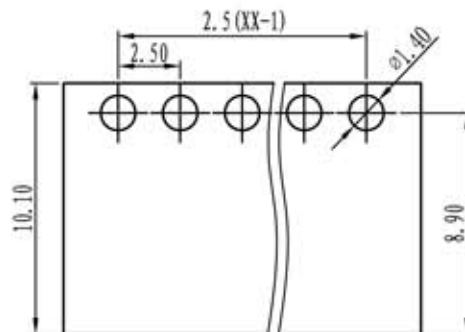
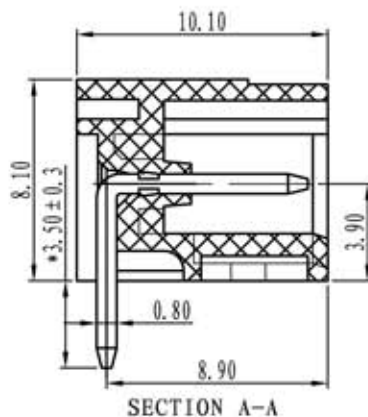
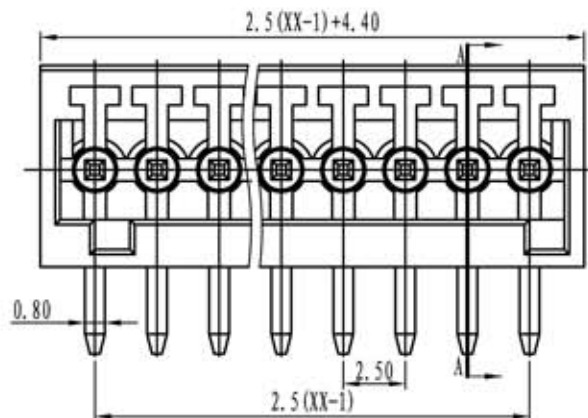


euro-block

product specification



Electrical		
Standard	UL	IEC
Rated voltage	150V	250V
Rated current	4A	5A
Contact resistance	20mΩ	
Insulation resistance	500MΩ/DC500V	
Withstanding voltage	AC1250V/1 Min	

Mechanical	
Temp. Range	-40°C + 105°C
Max sold. Time	+250°C, for 5 sec.

Dimensions	
Pitch	2.5 mm
Poles	2÷24

Material	
Housing	PA66, UL94V0
Pin header	Brass, tin plated

Versione/Version: 2013-1
Data/Date: 04/04/2013

Schema generale del codice di ordinazione/General description of ordering code

Series	n. poles	pitch	version	color	custom
CCM	2÷24	2.50	CH		

TOLERANCES EXCEPT AS NOTED

variable range	linear dimension (Tolerances Standard GB/T 14486-2008)											≡	—	□	//	⊥
	to 6	over 6 to 10	over 10 to 18	over 18 to 30	over 30 to 50	over 50 to 80	over 80 to 120	over 120 to 160	over 160 to 200	over 200 to 250	over 250 to all					
tolerance	±0.1	±0.14	±0.19	±0.25	±0.32	±0.43	±0.57	±0.72	±0.88	±1.05	±1.25	0.5	0.025	0.06	0.12	0.4

UNITS	mm	SIZE	A4	SCALE		FIRST ANGLE PROJECTION	
		euro-block		CCM-2.50-CH			