

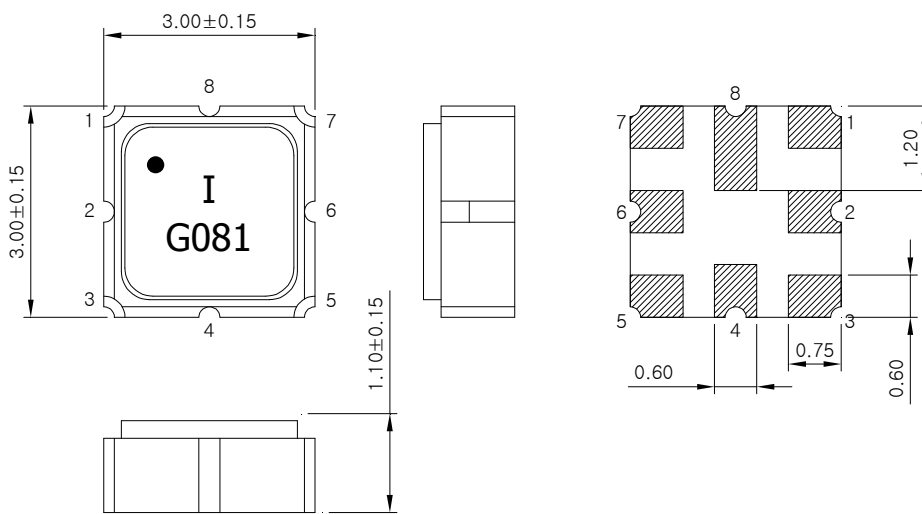
SAW Bandpass Filter FG081



Features

- RF Bandpass Filter
- Usable bandwidth of 10 MHz
- No impedance matching require for operation at 200 Ω
- Ceramic Surface Mounted Device Package (3.0 mm × 3.0 mm)
- Balanced to Balanced Operation
- RoHS Compliant

Package Dimensions



Dimensions shown are nominal in millimeters

Body : Al₂O₃ Ceramic

Lid : Kovar, Ni Plated

Terminations : Au plating 0.3 ~ 1.0 um, Over a 1.27 ~ 8.89 um
Ni Plating


Pin Configurations

1, 3	Input
5, 7	Output
2, 4, 6, 8	Case Ground

Maximum Ratings

Parameters	Unit	Minimum	Typical	Maximum
Operating Temperature Range	°C	-45	25	85
Storage Temperature Range	°C	-40	-	85
Power Handling Capability	dBm	-	-	-

Electrostatics Sensitive Device (ESD)

	ITF Co., Ltd. 102-901, Bucheon Technopark 364, Samjeong-Dong, Ojeong-Gu, Bucheon-City, Gyeonggi-Do, Korea 421-809	Part No.	FG081	
		Rev. Date	2009-01-05	
		Rev.	NC9001-PS01	1/7

SAW Bandpass Filter FG081




Specifications

	Minimum	Typical	Maximum	Unit
Center Frequency (Fc)	-	1086.0	-	MHz
Insertion Loss (In Fc +/- 5.0 MHz)	-	3.0	4.5	dB
Amplitude Ripple (In Fc +/- 5.0 MHz)	-	0.6	1.5	dBp-p
Relative Attenuation				
500.0 MHz ~ 988.0 MHz	43.0	50.0	-	dB
988.0 MHz ~ 1002.0 MHz	43.0	50.0	-	
1038.0 MHz ~ 1046.0 MHz	40.0	45.0	-	
1156.0 MHz ~ 1600.0 MHz	40.0	50.0	-	
VSWR (In Fc +/- 5.0 MHz)	-	1.5	2.3	
Temperature Range (Operational)	-40	25	85	°C
Input/Output Impedance	-	200	-	Ohms

Notes :

- 1) All specifications are based on the matching schematic shown below, measured by Agilent Network analyzer and full 4 port calibrations for balanced to balanced operation.
- 2) Electrical margin has been built into the design to account for the variations due to temperature drift and manufacturing tolerances
- 3) All attenuation measurements are measured relative to insertion loss

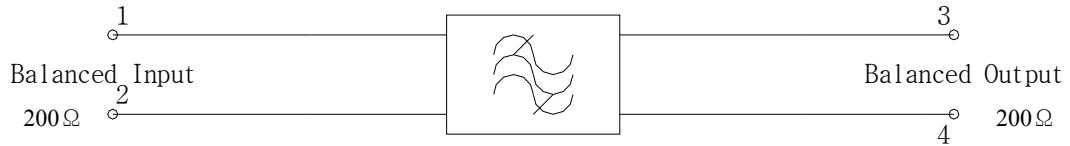
	ITF Co., Ltd. 102-901, Bucheon Technopark 364, Samjeong-Dong, Ojeong-Gu, Bucheon-City, Gyeonggi-Do, Korea 421-809	Part No.	FG081	
		Rev. Date	2009-01-05	
		Rev.	NC9001-PS01	2/7

SAW Bandpass Filter FG081



Matching Schematic

(Actual matching values may vary due to PCB layout and parasitics)




Marking Configuration

- ¹⁾
I²⁾
G081³⁾

- 1) Pad Number 1 Index
- 2) Manufacturer name
- 3) Marking Number

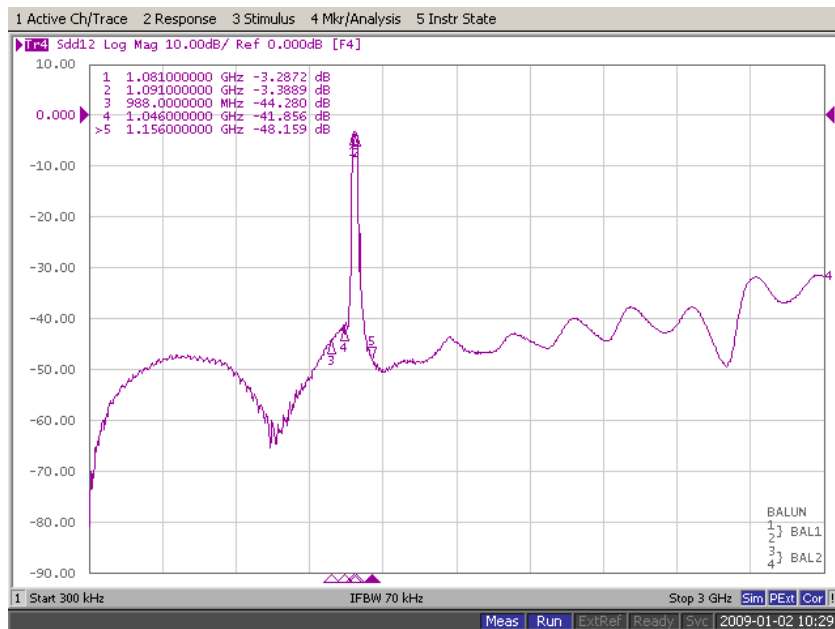
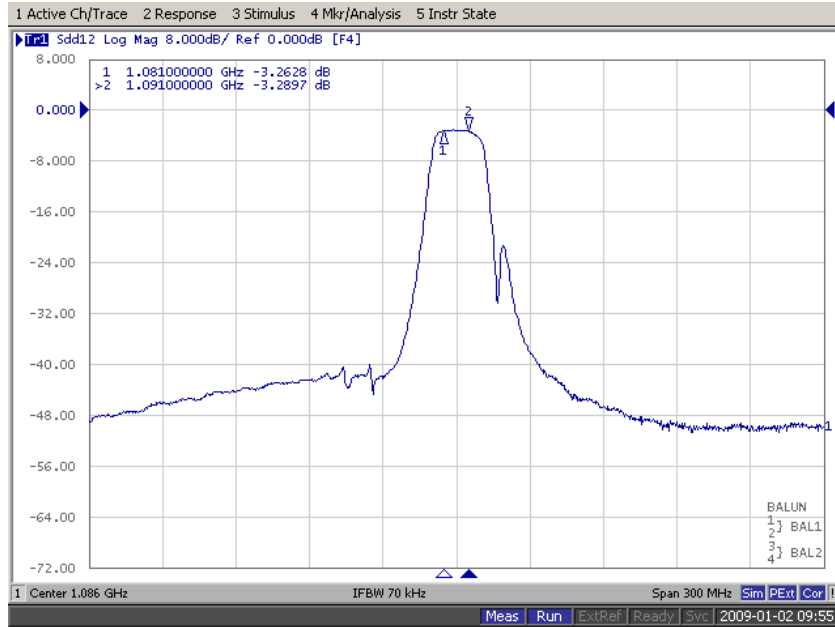
* Ink or Laser Marking available


	ITF Co., Ltd. 102-901, Bucheon Technopark 364, Samjeong-Dong, Ojeong-Gu, Bucheon-City, Gyeonggi-Do, Korea 421-809	Part No.	FG081	
		Rev. Date	2009-01-05	
		Rev.	NC9001-PS01	3/7

SAW Bandpass Filter FG081



Typical Performance (at 25°C)

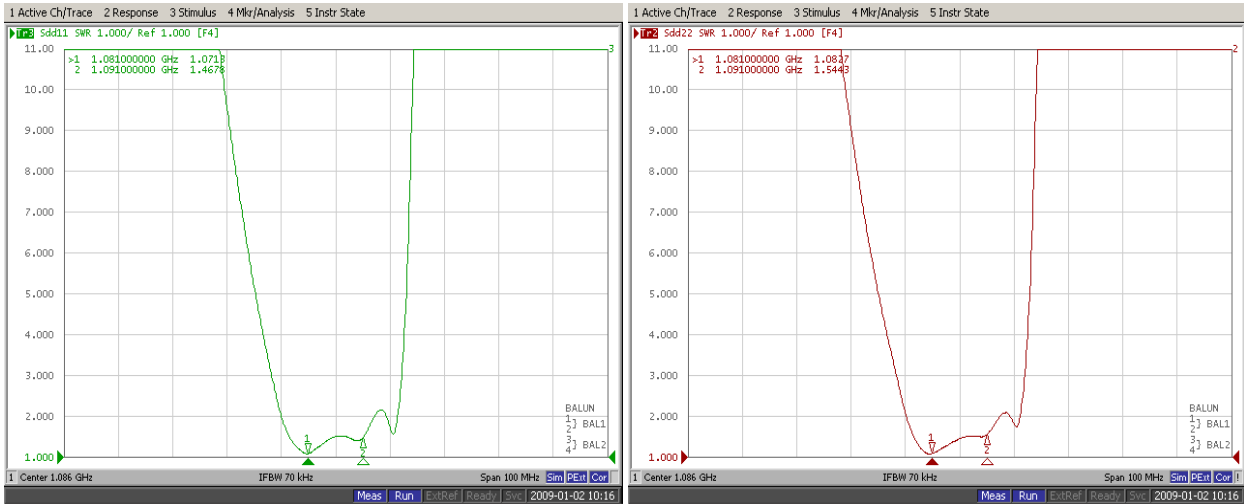


	ITF Co., Ltd. 102-901, Bucheon Technopark 364, Samjeong-Dong, Ojeong-Gu, Bucheon-City, Gyeonggi-Do, Korea 421-809	Part No.	FG081	
		Rev. Date	2009-01-05	
		Rev.	NC9001-PS01	4/7

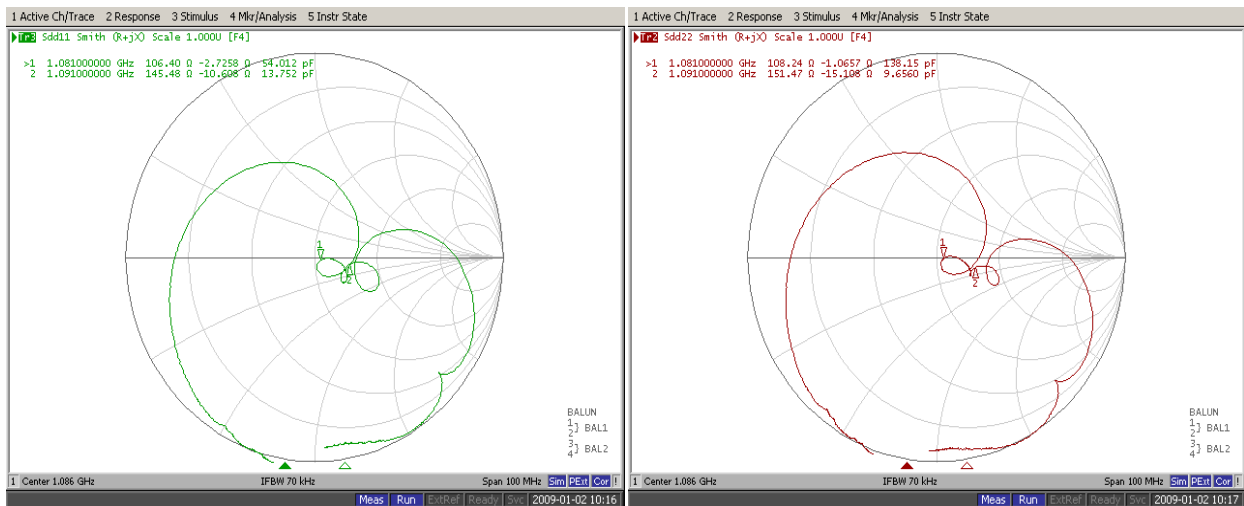
SAW Bandpass Filter FG081



Input / Output VSWR Charts



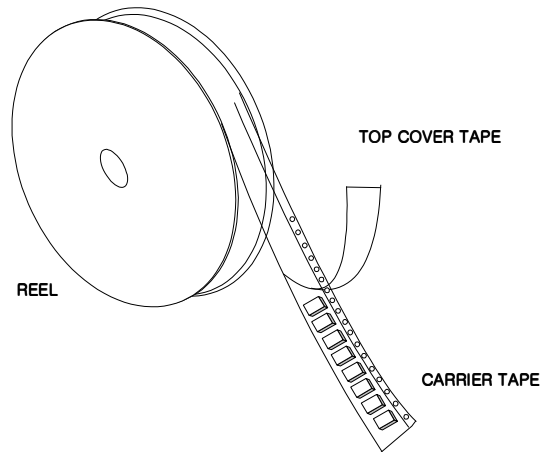
Input / Output Smith Charts



	ITF Co., Ltd. 102-901, Bucheon Technopark 364, Samjeong-Dong, Ojeong-Gu, Bucheon-City, Gyeonggi-Do, Korea 421-809	Part No.	FG081	
		Rev. Date	2009-01-05	
		Rev.	NC9001-PS01	5/7

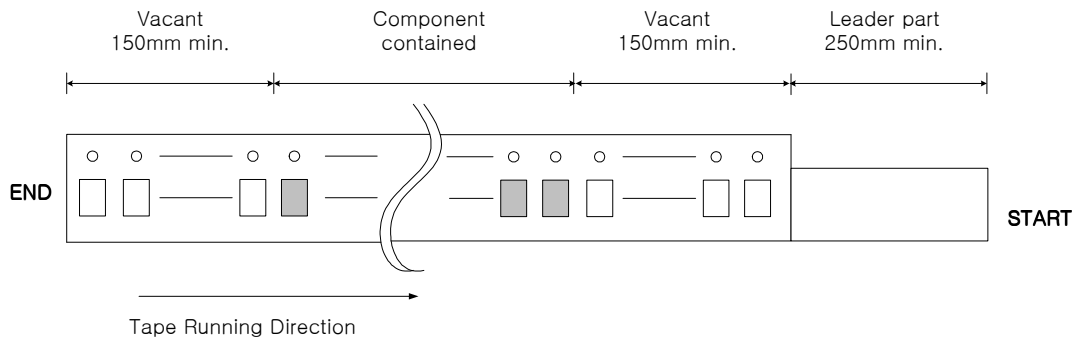
Packing Specification

1. Reeling Quantity : 3000 pcs / 13" reel (or 1000 pcs / 7" reel)
2. Taping Structure : The tape shall be wound around the reel in the direction shown below.



Tape Specification

1. Leader part and vacant position specification

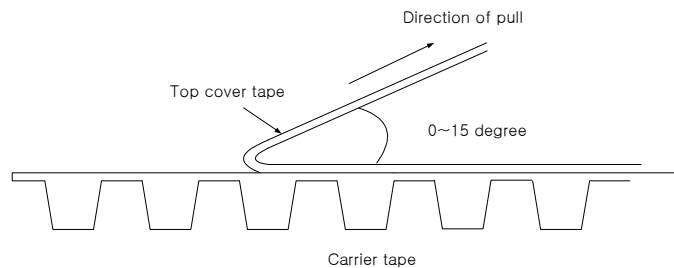


2. Tensile strength of carrier tape

4.4N/mm width

3. Top cover tape adhesion

- 1) pull off angle : 0~15°
- 2) speed : 300mm/min
- 3) force : 20~70g

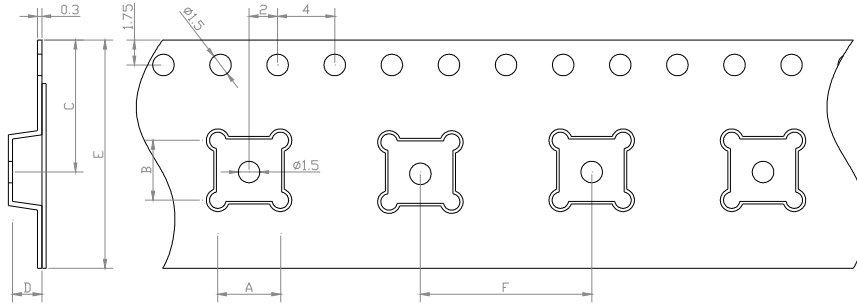


	ITF Co., Ltd. 102-901, Bucheon Technopark 364, Samjeong-Dong, Ojeong-Gu, Bucheon-City, Gyeonggi-Do, Korea 421-809	Part No.	FG081	
		Rev. Date	2009-01-05	
		Rev.	NC9001-PS01	6/7

SAW Bandpass Filter FG081

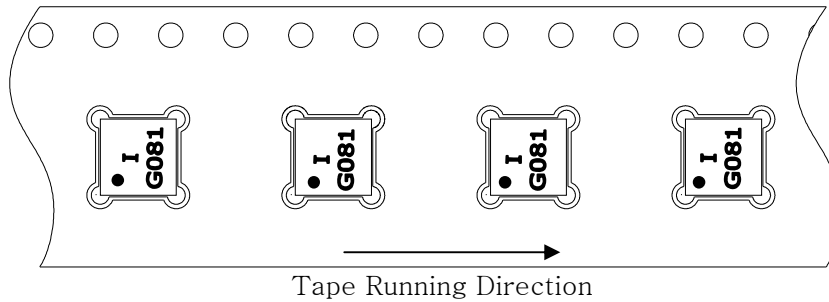


Carrier Tape Dimensions [unit : mm]

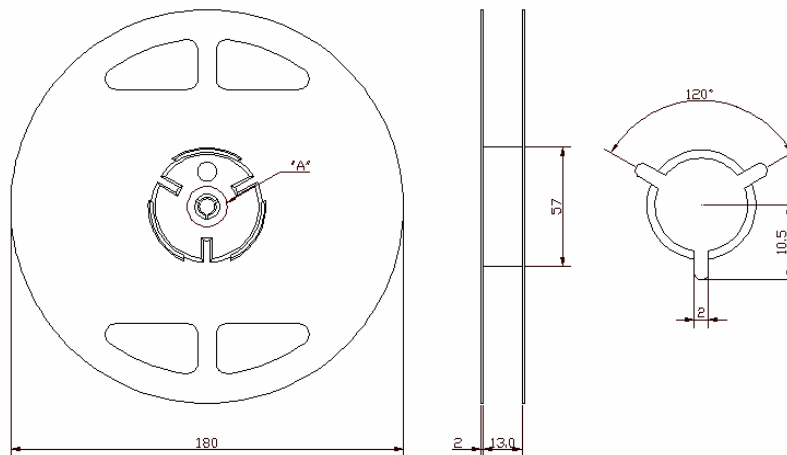


A	3.40 ± 0.1
B	3.40 ± 0.1
C	7.25 ± 0.1
D	1.70 ± 0.1
E	12.00 ± 0.1
F	8.00 ± 0.1

Part Direction



Reel Dimensions [unit : mm]



ITF Co., Ltd.
 102-901, Bucheon Technopark 364,
 Samjeong-Dong, Ojeong-Gu, Bucheon-City,
 Gyeonggi-Do, Korea 421-809

Part No.

FG081

Rev. Date

2009-01-05

Rev.

NC9001-PS01

7/7