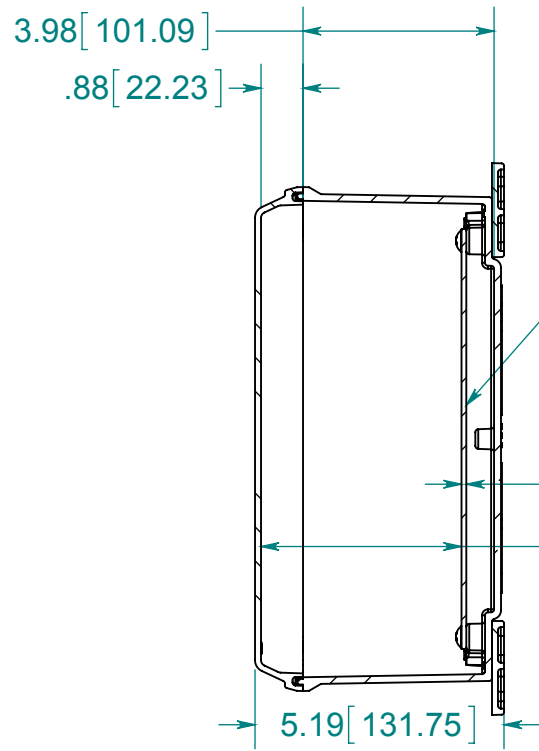
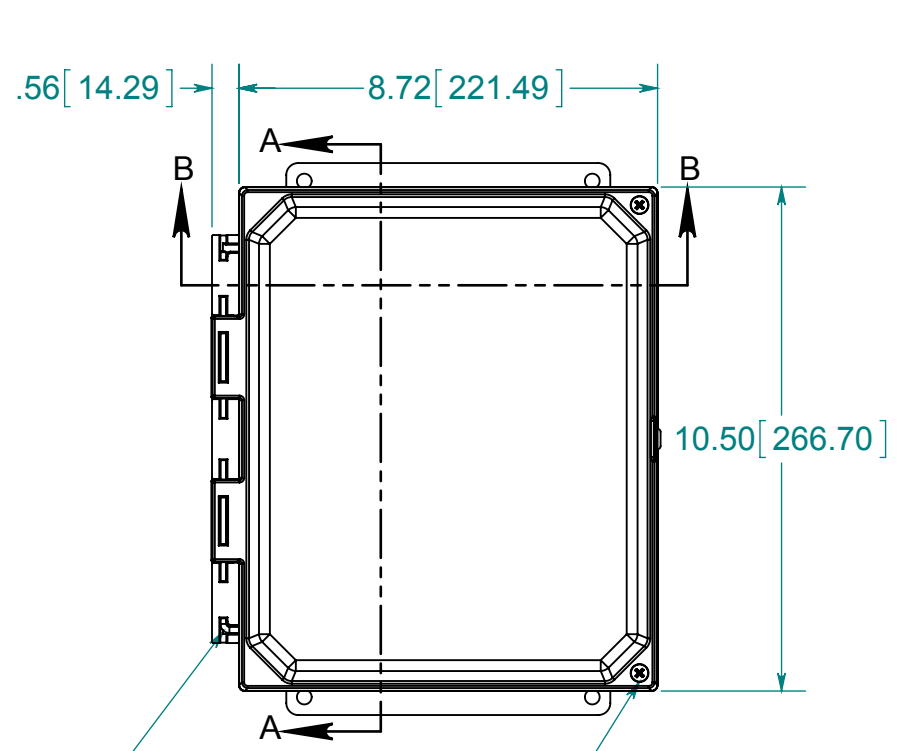
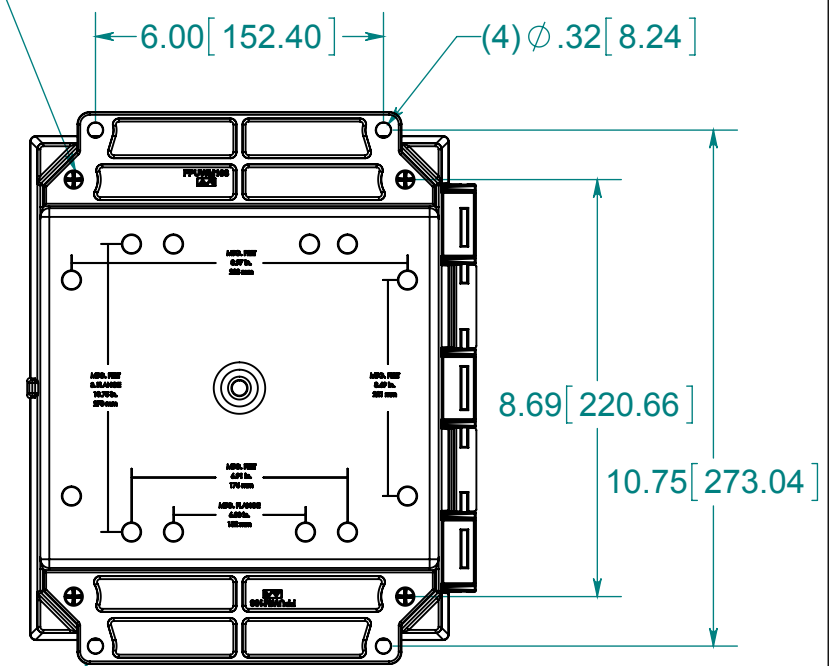


DATE	REV.	DESCRIPTION	DR	CK	REL



OPTIONAL BACK PANEL SHOWN  
 0.100 [2.54mm] TH'K- ALUMINUM  
 0.075 [1.91mm] TH'K- WHITE STEEL

(4) EACH #10-32 BRASS  
 INSERTS, AND STAINLESS  
 STEEL FLANGE AND  
 FEET SCREWS



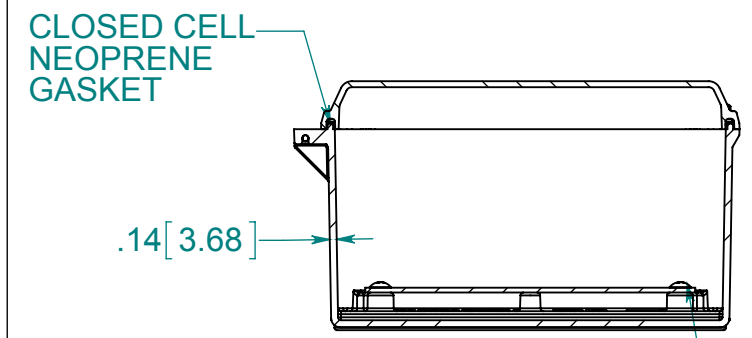
(4) POLYCARBONATE  
 FLANGES (GLUED)

STAINLESS STEEL  
 HINGE PIN

(2) EACH #10-32 BRASS  
 INSERTS AND STAINLESS STEEL  
 CAPTIVE COVER SCREWS

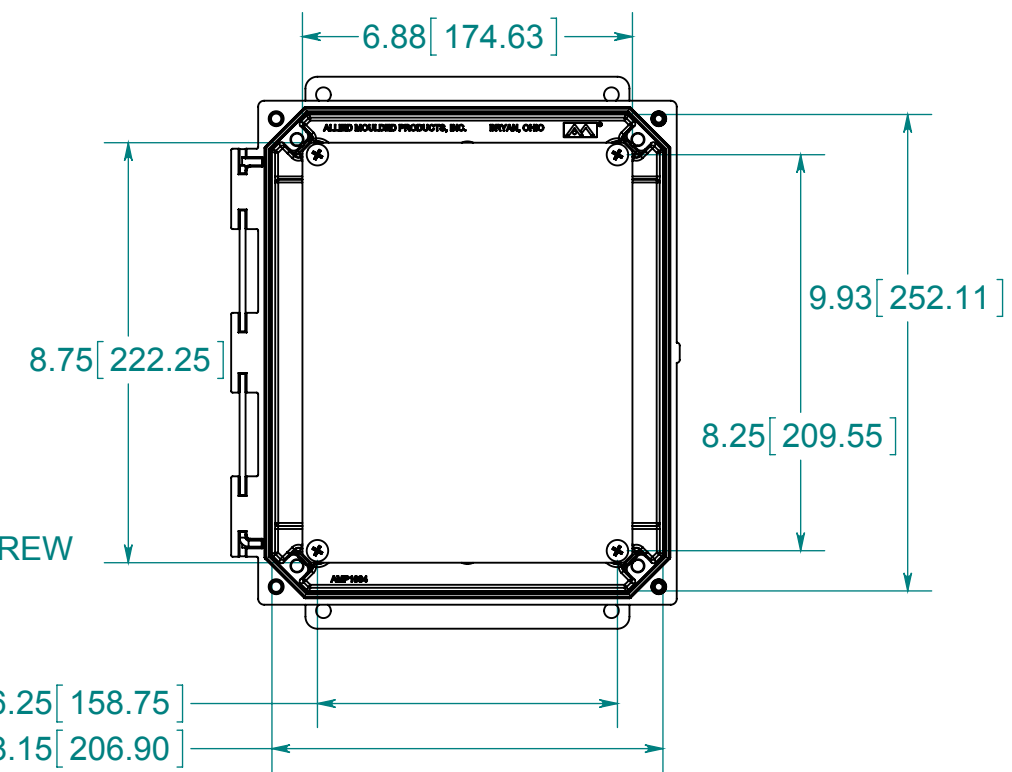
SECTION A-A

FRONT VIEW  
 WITH COVER REMOVED  
 AND BACK PANEL DISPLAYED

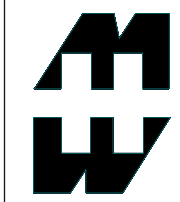


SECTION B-B

(4) EACH #10-32 BRASS  
 INSERTS AND PLATED  
 CARBON STEEL TRUSS SCREW



MATERIAL:  
 BOX- INJECTED POLYCARBONATE  
 STANDARD COVER- INJECTED POLYCARBONATE  
 CLEAR COVER - INJECTED POLYCARBONATE



PART No. PCJ1084CCHF  
 for more information visit  
[www.hammfg.com](http://www.hammfg.com)  
 Data subject to change without notice  
 Drawing Not to Scale