

PRODUCT SPECIFICATION

Model No.: FYL-3014IRBC1A

| Descriptions: |
|------------------------------------|
| ■ Dice material: AlGaAs. |
| ■ Emitting Color: Infrared. |
| ■ Device Outline: Φ3mm round type. |
| ■ Lens Type: Water clear. |



| CUSTOMER APPROVED SIGNATURES | APPROVED BY | CHECKED BY | PREPARED BY |
|------------------------------|-------------|------------|-------------|
| | | | |

NINGBO FORYARD OPTOELECTRONICS CO.,LTD.

Add: NO.115 Qixin Road Ningbo Zhejiang China

Zip: 315051

Tel: 0086-574-87933652 87927870 87922206

Fax: 0086-574-87927917

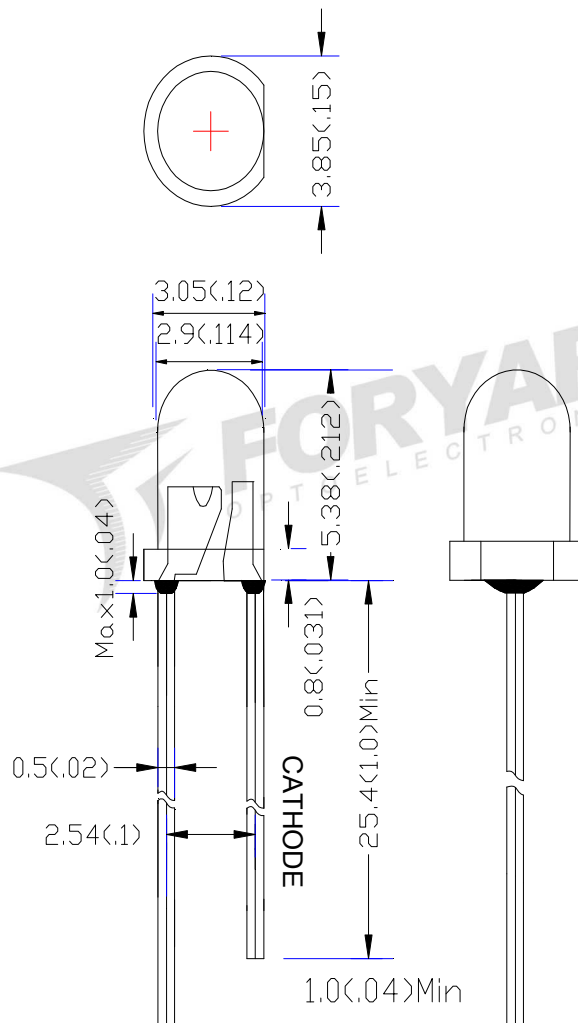
E-mail: Sales@foryard.com (General)

[Http://www.foryard.com](http://www.foryard.com)

■ Applications

1. PCB mounted infrared sensor.
2. Infrared emitting for miniature light barrier.
3. Floppy disk drive.
4. Optoelectronic switch.
5. Smoke detector.

■ Package configuration



Notes:

1. All dimensions are millimeters (inches)
2. Tolerance is $\pm 0.25\text{mm}(.010\text{'})$ unless otherwise noted.
3. The specifications, characteristics and technical data described in the datasheet are subject to change without prior notice.

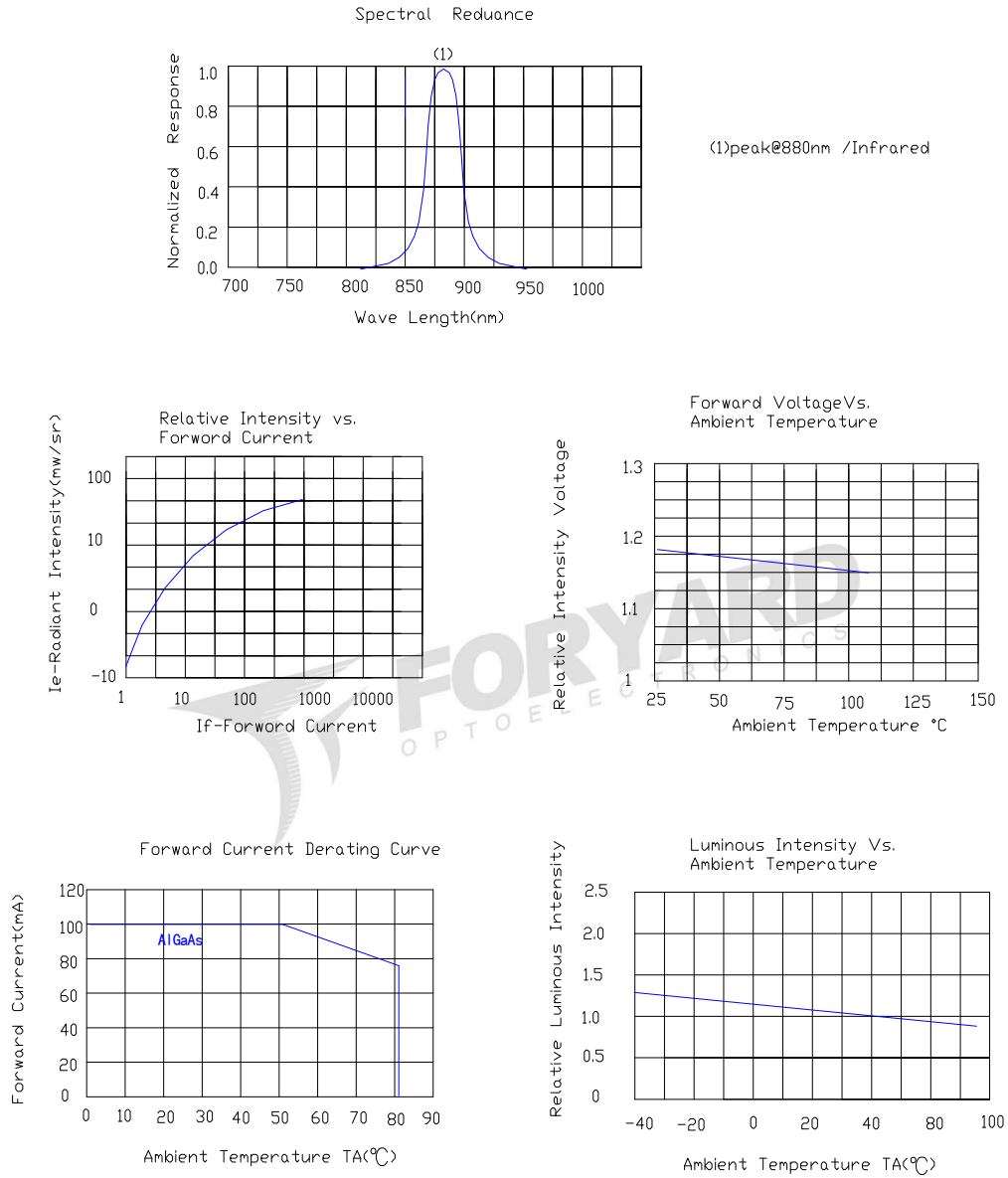
■ Absolute maximum ratings($T_a=25\text{ }^\circ\text{C}$)

| Parameter | Symbol | Test Condition | MAX. | Unit |
|--|--------|---------------------|------|------|
| Power Dissipation | pd | - | 100 | mW |
| Forward Current | IFM | Duty=0.01ms 1khz | 1000 | mA |
| Reverse Voltage | VR | IR=10UA | 9 | V |
| Operating Temperature Range | | -30°C to +80°C | | |
| Storage Temperature Range | | -40°C to +100°C | | |
| Lead Soldering Temperature[4mm(.157") From Body] | | 260°C for 5 Seconds | | |

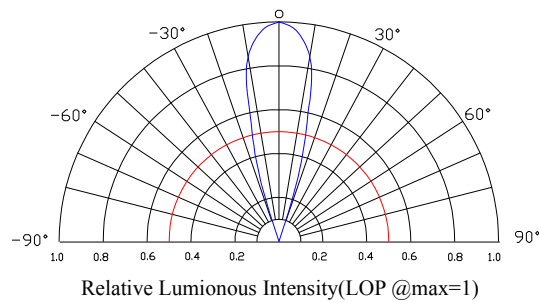
■ Electrical and optical characteristics($T_a=25\text{ }^\circ\text{C}$)

| Parameter | Symbol | Min. | Typ. | Max. | Unit | Test Condition |
|--------------------------|-----------------|------|------|------|-------|----------------|
| Radiant Intensity | Ee | 20 | 30 | - | Mw/sr | IF=50mA |
| Viewing Angle | 2 θ 1/2 | 25 | 30 | 35 | Deg | |
| Peak Emission Wavelength | λ_p | - | 880 | - | nm | |
| Spectral Line Half-Width | $\Delta\lambda$ | 40 | 45 | 50 | nm | |
| Forward Voltage | VF | - | 1.5 | 1.7 | V | |
| Reverse Current | | | | 10 | uA | 5 V |

■ **Typical Electrical Characteristics Curves**
(25 °c Ambient Temperature Unless Otherwise Noted)

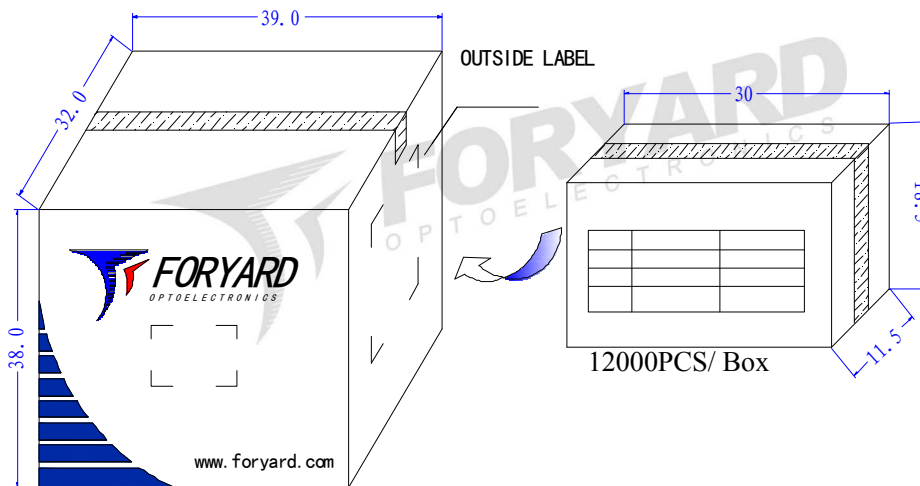
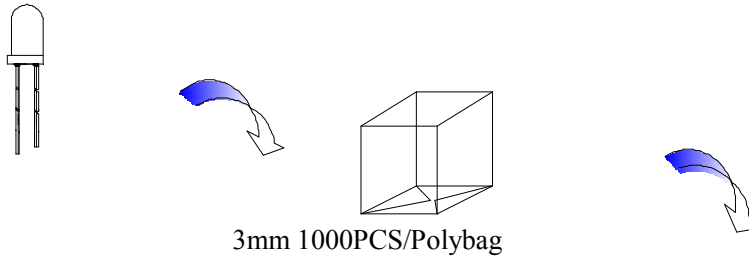


Radiation pattern.



| | |
|------------------|----------------|
| Model No. | FYL-3014IRBC1A |
| Rev. | A |

■ LAMP PACKING.



72000PCS/ Carton



OUTSIDE LABEL