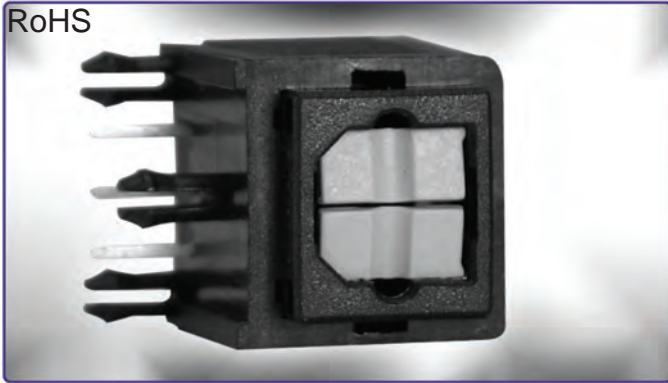


RoHS



## KFOX Series

*Optical Audio Jack without Mounting Tab and with Split Gate*

### Features

- Provides high-speed transmission speed
- Optical split gate version
- Available as either a transmitter or receiver option
- Conforms to JEITA standard EIAJ RC-5720

### Performance Specifications

#### Material and Finish

**Housing:** Thermoplastic, UL94V-0 Rated, Black Color  
Gate : PA66

#### Terminal

Copper Alloy, Tin Plating all over Nickel underplating

### Mechanical characteristics

**Insertion Force :** 3.5kg Max.

**Extraction Force :** 0.4kg Min.

**Durability :** 500 mating cycles

**Operating Voltage :** 3V- 5V

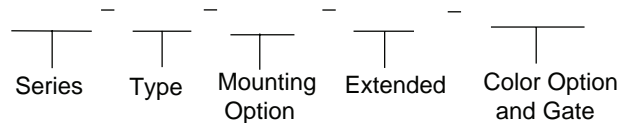
## OPTICAL JACK

### KFOX Series

#### Documentation & Ordering Information


Kycon Part #

#### Part Number Builder



#### Series

KFOX - Optical Audio Jack

#### Type

T - Transmitter

R - Receiver

#### Mounting Option

1N - Without Mounting Tab

#### Extended

E - Extended

#### PC 99 Color Option

GRY - Gray ( Transmitter )

GRN - Green ( Transmitter )

PNK - Pink ( Receiver )

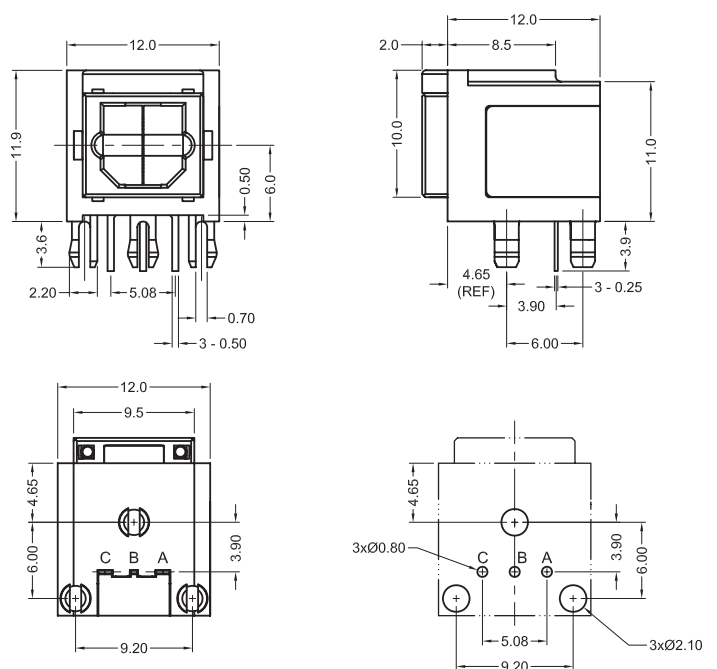
BLK - Black ( Transmitter )

#### Gate

2 - Split Gate

### KFOX Dimensions

Dimensions in mm



Recommended PCB Layout  
(Bottom View)