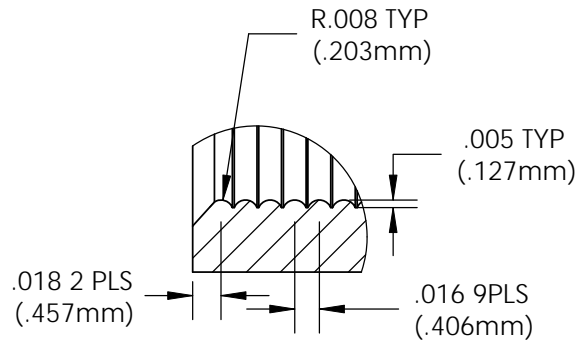
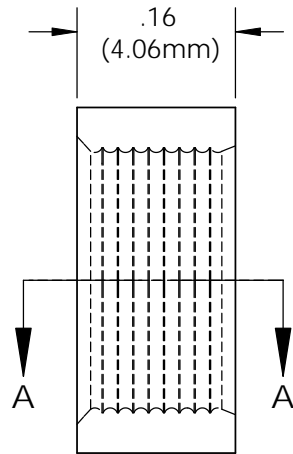


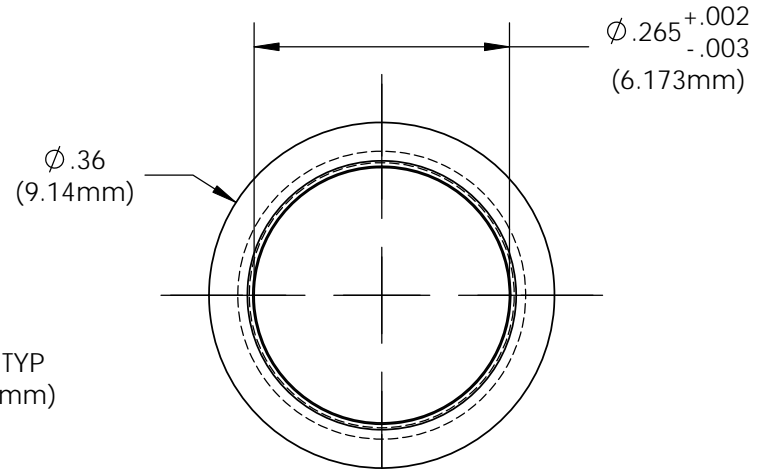
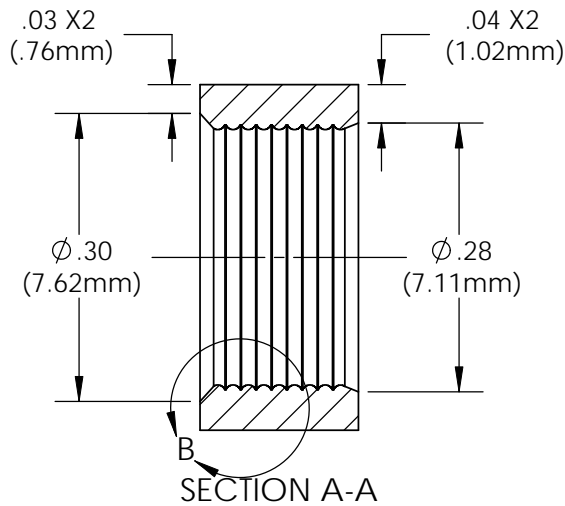
NOTES:

1. FINISH: Parts shall have a smooth appearance, min.600 surface finish, with no gates and all flash removed
2. U.S. & Foreign Pat. Issued & Pend.

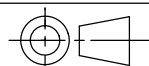
REVISIONS				
ECN #	REV	DESCRIPTION	DATE	INITIALS
	1	VARIOUS	7/94	JS
	2	WAS .275 IS .272	9/26/02	JS
	3	WAS .272 IS .265	10/17/02	JS
	001	REVISED PER ECR 111009AZ01	2/11/10	KH
145	002	CHANGE IN MATERIAL	7/12/10	KH



DETAIL B
SCALE 8 : 1



ISOMETRIC VIEW
4:1

<small>UNLESS OTHERWISE SPECIFIED DIMENSIONS ARE IN INCHES: ANGLES ± 1° DECIMALS .X ± .020 .XX ± .010 .XXX ± .005 FINISH .XXX ± .005 BREAK ALL CORNERS AND SHARP EDGES .050 MAX</small>	MATERIAL 50% POLYPROPYLENE (BLACK) 50% ELASTOCON		VISUAL COMMUNICATIONS COMPANY 190 Bosstick Boulevard, Suite 101 San Marcos, CA 92069 USA Phone (760) 560-1300 Fax (760) 560-1301 email vccsales@vccite.com	
	FINISH SEE NOTES		TITLE: CLIPMOUNT RING RNG 268	
<small>THIRD ANGLE PROJECTION</small>  <small>PROPRIETARY AND CONFIDENTIAL THE INFORMATION CONTAINED IN THIS DRAWING IS THE SOLE PROPERTY OF VISUAL COMMUNICATIONS COMPANY, INC. ANY REPRODUCTION IN PART OR AS A WHOLE WITHOUT THE WRITTEN PERMISSION OF VISUAL COMMUNICATIONS COMPANY, INC. IS PROHIBITED.</small>	APPROVALS	DATE	SIZE A	DWG. NO. RNG 268_E
	DRAWN K.Howard	2/11/10	2/22/10	REV 002
DO NOT SCALE DRAWING			SCALE: 5:1	