

**PLEASE CHECK WWW.MOLEX.COM FOR LATEST PART INFORMATION**

**Part Number:** [44300-2000](#)  
**Status:** **Active**  
**Overview:** Micro-Fit 3.0™ Connectors  
**Description:** Micro-Fit 3.0 BMI™ Plug Housing, Dual Row, Panel Mount, 20 Circuits

**Documents:**

|  |  |
|--|--|
| <a href="#">3D Model</a>                                   | <a href="#">Test Summary TS-44300-001 (PDF)</a>      |
| <a href="#">Drawing (PDF)</a>                              | <a href="#">RoHS Certificate of Compliance (PDF)</a> |
| <a href="#">Product Specification PS-44300-001 (PDF)</a>   | <a href="#">Product Literature (PDF)</a>             |
| <a href="#">Packaging Specification PK-44300-001 (PDF)</a> |  |

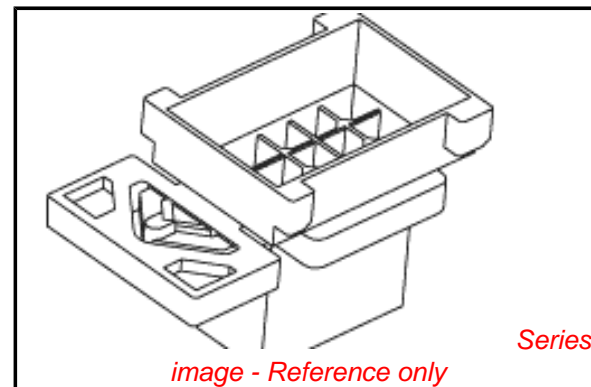


image - Reference only

**Agency Certification**

|     |           |
|-----|-----------|
| CSA | LR19980   |
| TUV | R72081037 |
| UL  | E29179    |

**General**

|                             |   |
|-----------------------------|---|
| Product Family              | Crimp Housings                            |
| Series                      | <a href="#">44300</a>                     |
| Application                 | Power, Wire-to-Board, Wire-to-Wire        |
| Overview                    | <a href="#">Micro-Fit 3.0™ Connectors</a> |
| Product Literature Order No | 987650-5984                               |
| Product Name                | Micro-Fit 3.0 BMI™                        |
| UPC                         | 800753281967                              |

**Physical**

|                               |                 |
|-------------------------------|-----------------|
| Circuits (maximum)            | 20              |
| Color - Resin                 | Black           |
| Flammability                  | 94V-0           |
| Gender                        | Male            |
| Glow-Wire Compliant           | No              |
| Material - Resin              | Polyester       |
| Net Weight                    | 4.581/g         |
| Number of Rows                | 2               |
| Packaging Type                | Bag             |
| Panel Mount                   | Yes             |
| Pitch - Mating Interface      | 3.00mm          |
| Stackable                     | No              |
| Temperature Range - Operating | -40°C to +105°C |

**Electrical**

|                               |    |
|-------------------------------|----|
| Current - Maximum per Contact | 5A |
|-------------------------------|----|

**Material Info**

**Reference - Drawing Numbers**

|                         |                             |
|-------------------------|-----------------------------|
| Packaging Specification | PK-44300-001                |
| Product Specification   | PS-44300-001, RPS-44300-001 |
| Sales Drawing           | SD-44300-001                |
| Test Summary            | TS-44300-001                |

**EU RoHS** **China RoHS**

**ELV and RoHS Compliant**  
**REACH SVHC Contains SVHC: No**  
**Low-Halogen Status Not Low-Halogen**



**Need more information on product environmental compliance?**

Email [productcompliance@molex.com](mailto:productcompliance@molex.com)  
 For a multiple part number RoHS Certificate of Compliance, [click here](#)

Please visit the [Contact Us](#) section for any non-product compliance questions.

**Search Parts in this Series**

[44300Series](#)

**Mates With**

[44133](#) , [44764](#) , [44769](#)

**Use With**

[43031](#)