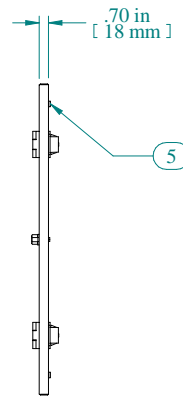


WINDOW AREA

FRONT VIEW

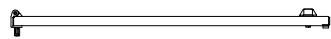


R.S. VIEW

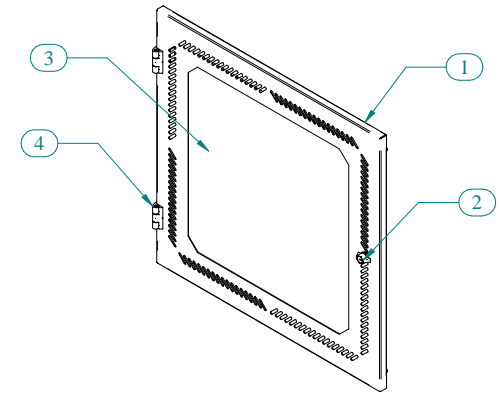


DETAIL A

0.28 X 1.00 VENTILATION SLOTS TYP AS SHOWN



BOTTOM VIEW



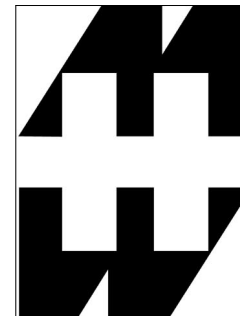
Item Number	Title	Quantity
1	MODIFIED PLEXI/VENTED DOOR	1
2	WING KNOB LOCK W/ LOC13390 CAM	1
3	PLEXI WINDOW - 18.00 X 18.00	1
4	DOOR HINGE BODY	2
5	BUMPER FEET-RUBBER STICK ON	2

PART NUMBERS

RCSC19021WDBK1 | PAINTED BLACK TEXTURED

NOTES

Data subject to change without notice. Isometric drawing not to scale.



**HAMMOND  
MANUFACTURING™**

www.hammondmfg.com

PART NO. RCSC19021WD