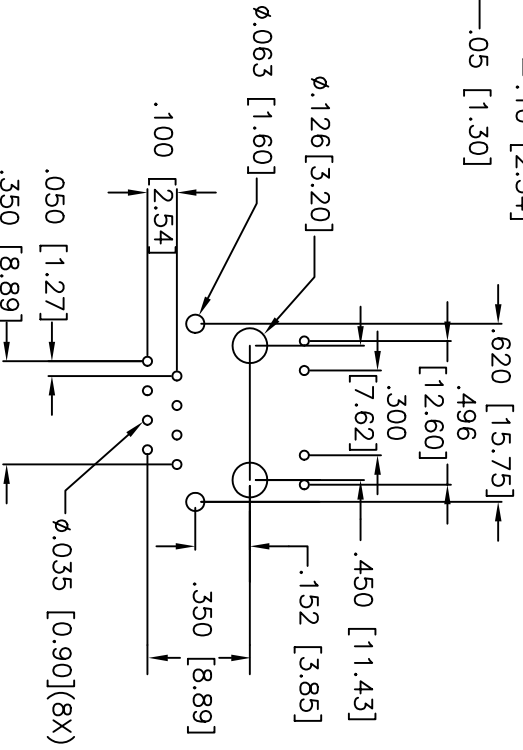
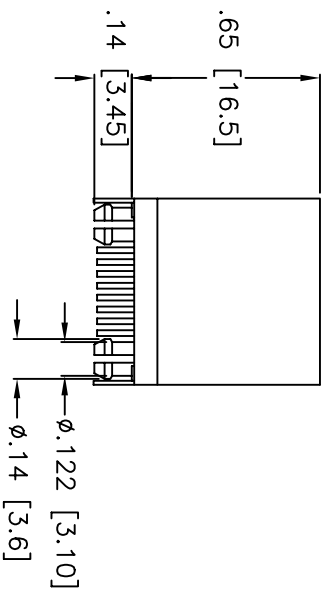
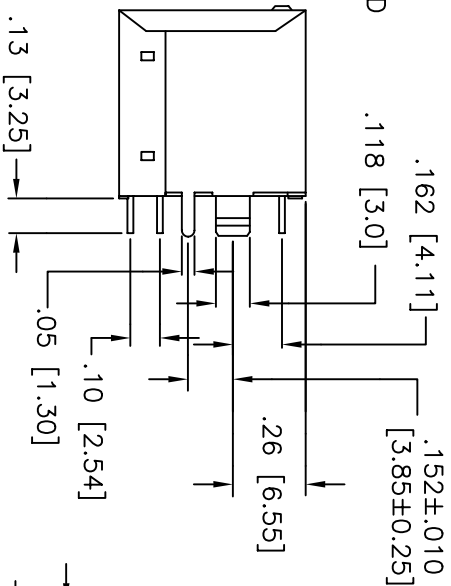
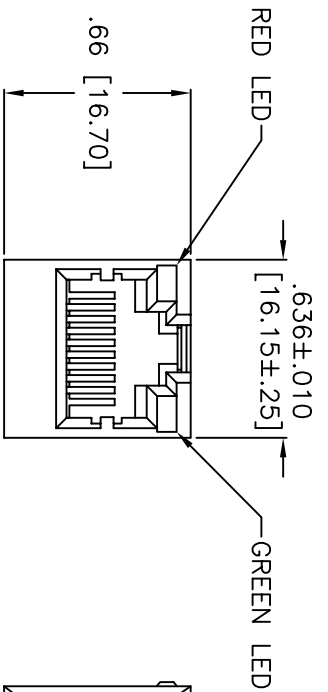


Rev	AWO #	Description	Date	Appr
-		RELEASED	10/13/04	

APPROVED: \_\_\_\_\_  
 DATE: \_\_\_\_\_ TITLE: \_\_\_\_\_



"X"	PLATING
0	15 µin Gold
1	30 µin Gold
2	50 µin Gold

**Recommended PC Board Layout**

**SPECIFICATIONS:**

**Material:**  
 Insulator: PBT, glass reinforced, rated UL 94V-0  
 Insulator color: Black  
 Contacts: Brass  
 Shield: Copper Alloy, Tin plated  
 Plating:  
 "X" Gold over Nickel underplate on mating area,  
 Tin over Copper underplate on solder tails  
**Electrical:**  
 Operating voltage: 150 VAC max  
 Current rating: 1.5 Amp max  
 Contact resistance: 20 mohms max  
 Insulation resistance: 500 Mohms min @ 500 VDC  
 Dielectric withstanding voltage: 1000 VAC for 1 minute  
 Temperature Rating:  
 Operating temperature: -40°C to +125°C

UNLESS OTHERWISE SPECIFIED  
 ALL DIMENSIONS ARE INCHES [MM]  
 TOLERANCES: EXCEPT AS NOTED  
 INCHES  
 .X ±.10 ØXX ±.10  
 .XX ±.020 ØXXX ±.015  
 .XXX ±.015  
 APPROVALS

**ADAM TECH**  
 909 Rahway Avenue, Union, NJ 07083  
 Phone: 908-687-5000 Fax: 908-687-5710  
 MODULAR TELEPHONE JACK, VERTICAL  
 8P8C, PCB, RED / GRN LED

APPROVALS	DATE
DRAWN	SS
CHECKED	
APPROVED	

SIZE	PART NO.	REV.
X	MTJ-88FX1-FSNL11	

SCALE: NTS SHEET 1 OF 1