

Model(型號): **ROTARY POTENTIOMETER-----R12511H01**

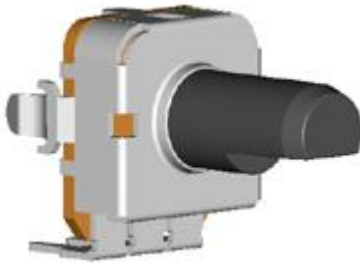
► [Download PDF file](#)

Features:(特點):

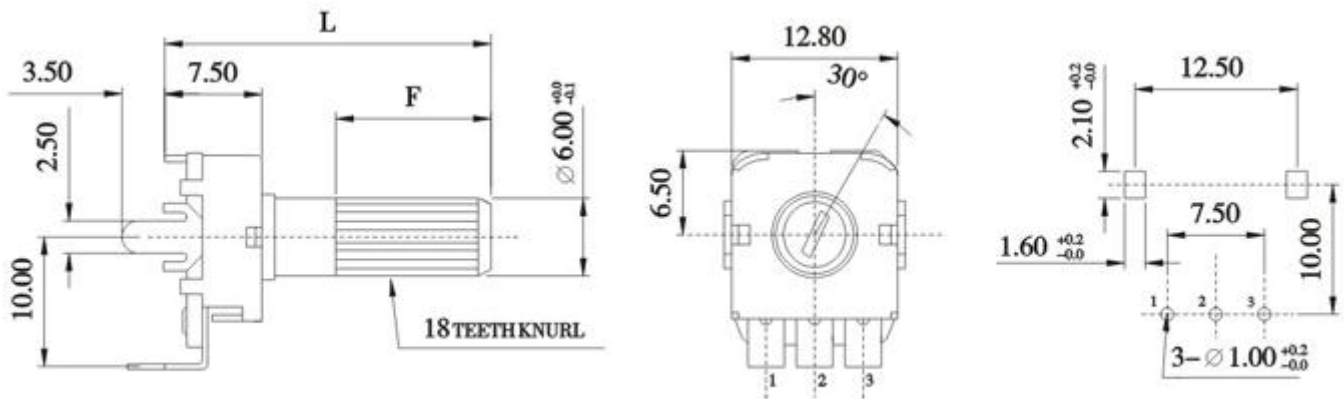
Ideal for all type of audio products.

Applications(作用):

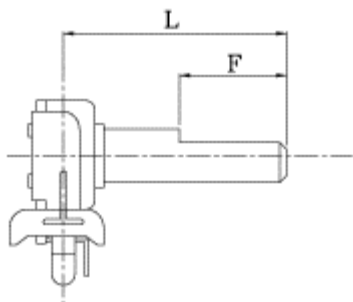
Ideal for radio, cassette recorder with radio, amplifier,receiver,etc.



Dimensions(規格圖):

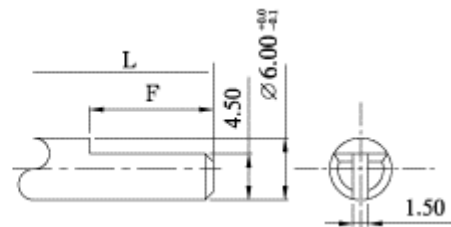


TYPE OF KNOB



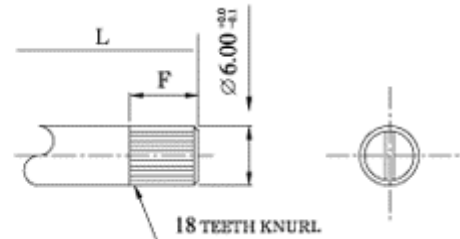
F Type

| | | | | | | |
|---|----|----|----|----|----|----|
| L | 10 | 15 | 15 | 20 | 25 | 30 |
| F | 5 | 7 | 8 | 12 | 12 | 12 |



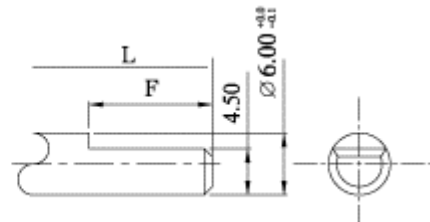
K Type

| | | | | | | |
|---|----|----|----|----|----|----|
| L | 10 | 15 | 15 | 20 | 25 | 30 |
| F | 5 | 7 | 8 | 12 | 12 | 12 |



T Type

| | | | | | | |
|---|----|----|----|----|----|----|
| L | 10 | 15 | 15 | 20 | 25 | 30 |
| F | 5 | 7 | 8 | 12 | 12 | 12 |



Specifications(規格)

Electrical Characteristics [電氣性能]

| | |
|--|--------------------------------|
| Total resistance [全阻抗值] | 500Ω - 1MΩ |
| Total resistance tolerance [全阻抗值容許差] | ±20% |
| Ratings power(w) [額定功率] | B curve 0.15W , except B 0.08W |
| Resistance taper [阻抗變化特性] | A,B, *C,D,W |
| Residual resistance [殘留阻值] | 20KΩMax. |

| | |
|--|--|
| Sliding noise [滑動雜音] | 47mV Max |
| Withstanding voltage [耐電壓] | 1 minute at AC 500V |
| Gang error [連動誤差] | - |
| Insulation resistance [絕緣阻抗] | 100MΩ Min. at DC 500V. |
| Max. operating voltage [最高使用電壓] | B curve AC 150V,DC 10V ; except B AC 100V,DC 10V |
| Mechanical Characteristics [機械性能] | |
| Operation torque [回轉力矩] | 50~250gf . cm |
| Rotation stopper strength [止動強度] | 3.0Kgf . cm Min. |
| Total rotational angle [回轉角度] | 300±5° |
| Center decent force [掣子脫出力矩] | 50~300gf.cm |
| Endurance Characteristics [耐久性能] | |
| Rotational life [回轉壽命] | More than10,000 cycles |

[Http://www.productwell.com](http://www.productwell.com) E-Mail: pwltw@productwell.com TEL: 0769-81353212 FAX: 0769-81353211