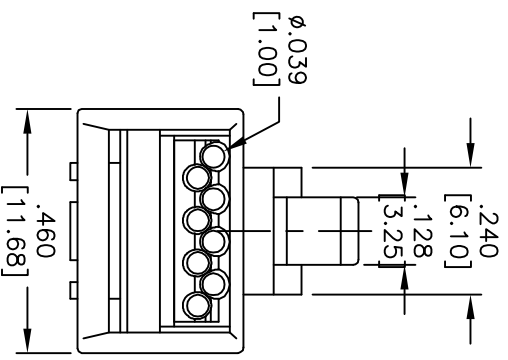
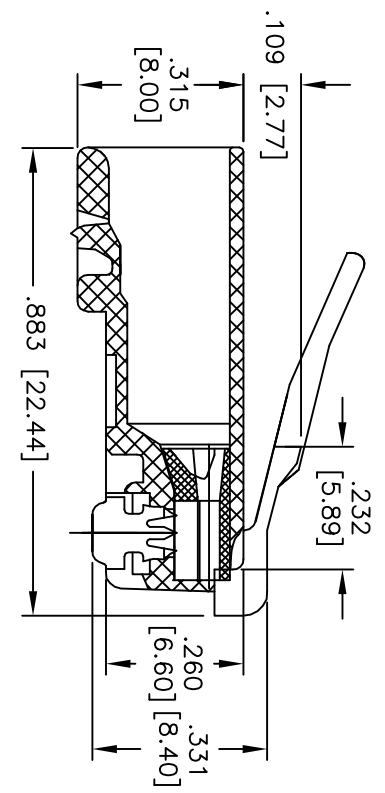
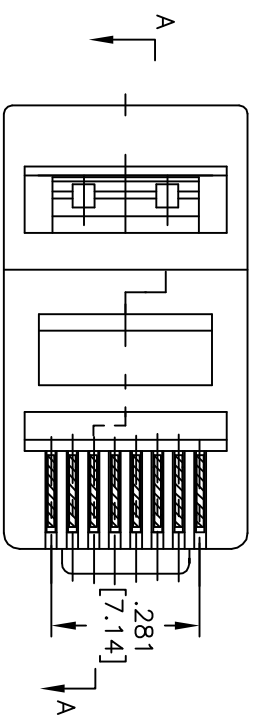


APPROVED: _____	DATE: _____	TITLE: _____
Rev	AWO #	Description
-		RELEASED
		Date
		1/11/11
		Appr



"X"	PLATING
U	15 μ in Gold
W	30 μ in Gold
G	50 μ in Gold

SPECIFICATIONS:

Material: Insulator: PC, rated UL 94V-2
 Contacts: Copper Alloy
 Plating: Gold over Nickel underplate on contact area
 Electrical: Insulation resistance: 1000 Mohms min
 Dielectric withstanding voltage: 1,000 VAC for 1 minute
 Environmental: Lead free, RoHS compliant



UNLESS OTHERWISE SPECIFIED
 ALL DIMENSIONS ARE INCHES [MM]
 TOLERANCES: EXCEPT AS NOTED
 INCHES Holes
 .X ± .10 Ø.X ± .10
 .XX ± .020 Ø.XX ± .015
 .XXX ± .015 Ø.XXX ± .010

ADAM TECH
 909 Railway Avenue, Union, NJ 07083
 Phone: 908-687-5000 Fax: 908-687-5710

APPROVED	DATE
CHECKED	1/11/11
DRAWN	DY

SIZE	PART NO.	REV.
X	MTP-88-X-S-C6	-
REF: S00003C	SCALE: NTS	SHEET 1 OF 1

TITLE: MODULAR TELEPHONE PLUG, 8P8C, CAT 6