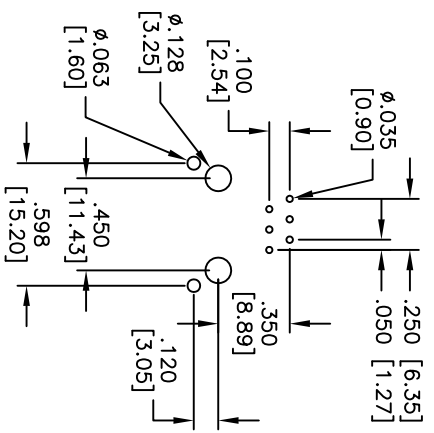
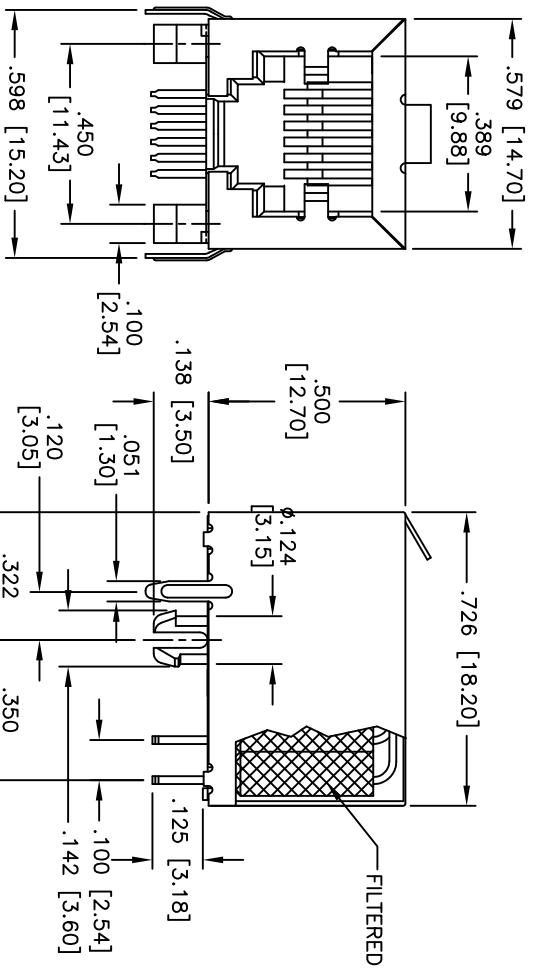


Rev	AWO #	Description	Date	Appr
-		RELEASED	5/19/10	

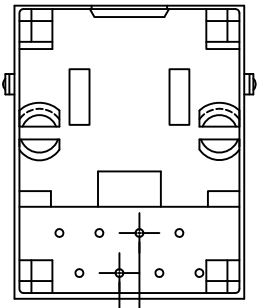
6 5 4 3 2 1

APPROVED: _____

DATE: _____ TITLE: _____



RECOMMENDED PCB LAYOUT



X	PLATING
0	15 µin Gold
1	30 µin Gold
2	50 µin Gold

SPECIFICATIONS:

Material:
 Insulator: PBT, glass reinforced, rated UL 94V-0
 Insulator color: Black
 Contacts: Phosphor Bronze
 Shield: Copper Alloy, Nickel plated
 Plating:
 Gold over Nickel underplate on contact area,
 Tin over Copper underplate on PCB tails
 (See chart for thickness)

Electrical:

Operating voltage: 150 VAC max
 Current rating: 1.5 Amps max
 Contact resistance: 20 mohms max
 Insulation resistance: 500 Mohms min @ 500 VDC
 Dielectric withstanding voltage: 1000 VAC for 1 minute
 Temperature Rating:
 Operating temperature: -40°C to +125°C

Environmental:
 Lead free, RoHS compliant.
 Recommended soldering temp: 235°C for 5 sec.



ADAM TECH

909 Rahway Avenue, Union, NJ 07083
 Phone: 908-687-5000 Fax: 908-687-5710

MODULAR TELEPHONE JACK, 6P6C
 R/A, FERRITE FILTERED, FULL SHIELD

UNLESS OTHERWISE SPECIFIED ALL DIMENSIONS ARE INCHES [MM]	
TOLERANCES: EXCEPT AS NOTED	
INCHES	HOLDS
.X ± .10	ØX ± .10
.XX ± .020	ØXX ± .015
.XXX ± .015	ØXXX ± .010
APPROVALS	DATE
DRAWN	DY
CHECKED	5/19/10
APPROVED	

SIZE	PART NO.	REV.
X	MTJ-66MX1-FSE-PG	-
REF: S00065T	SCALE: NTS	SHEET 1 OF 1

6 5 4 3 2 1