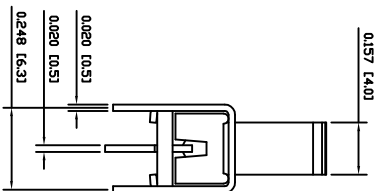
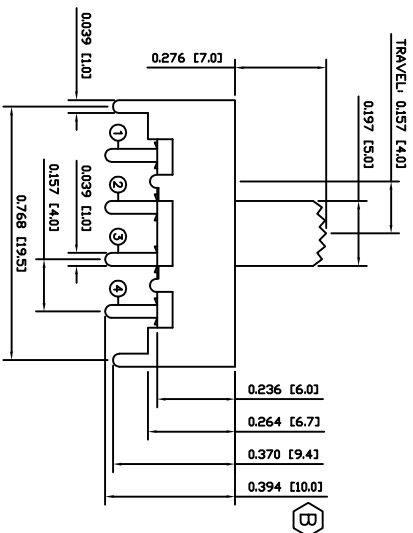
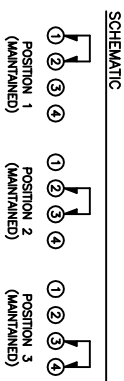
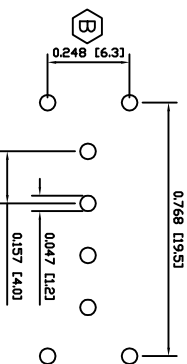


POSITION 1 POSITION 2 POSITION 3



SUGGESTED PCB LAYOUT



SCHEMATIC

SPECIFICATIONS

FUNCTION: 1P1T ON-ON-ON  
 RATINGS: 0.5A 50VDC  
 CONTACT RESISTANCE: Initial: 30mΩ Max.  
 INSULATION RESISTANCE: 500MΩ Min. at 500VDC  
 DIELECTRIC STRENGTH: 500VAC For 1 Minute  
 ELECTRICAL LIFE: 10,000 Cycles  
 TEMPERATURE: Operating: -40°C to 85°C Storage: -40°C to 105°C  
 APPROVALS: **ROHS LEAD FREE** COMPLIANT

MATERIALS

BASE: Phenolic Board  
 COVER: Nickel Plated Steel  
 ACTUATOR: Polyoxymethylene (POM)  
 CONTACT: Gold (0.3µm) over Nickel (2µm) Plated Steel Ball  
 TERMINALS: Gold (0.1µm) over Nickel (2µm) Plated Brass

COLORS

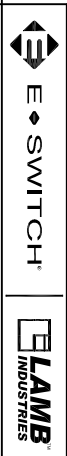
ACTUATOR: Black

THE INFORMATION CONTAINED IN THIS DOCUMENT IS PROPRIETARY TO E-SWITCH AND IS NOT TO BE COPIED OR TRANSMITTED IN ANY FORM OR BY ANY MEANS, ELECTRONIC OR MECHANICAL, INCLUDING PHOTOCOPYING, RECORDING, OR BY ANY INFORMATION STORAGE AND RETRIEVAL SYSTEM.

REV.	A	DATE	11/18/11	BY	CSB
REV.	B	DATE	09/08/09	BY	CSB

DESCRIPTION	INITIAL RELEASE
DESCRIPTION	INITIAL RELEASE

INCHES [MILLIMETERS]	±0.008 [±0.2] / ±1'
GENERAL TOLERANCES	±0.008 [±0.2] / ±1'
SCALE	DRAWING NOT TO SCALE
PROJECTION	1ST ANGLE



LSS-130511A7-G

DRAWING NUMBER	03-LSS130511A7G
DATE	JULY 22, 2009
REVISION	B