

OVERVIEW

The SM8133B is a charge pump type white LED driver. It can drive 1 to 6 backlight white LED connected in parallel and 1 flash white LED. The output voltage circuit has a 3.0V LDO (Low Dropout Regulator), making the device ideal for camera-equipped cellular phones. The charge pump switches between $\times 1$ to $\times 1.5$ boost mode in response to LED drive current requirements to extend battery life to the maximum. The boost switching occurs in response to the drive current of all the connected LED and thus supports variations in LED forward-bias voltage drop (VF). Each LED drive current is controlled by a 7-channel LED drive current control circuit. The 6 backlight channels can be subdivided into 2 groups, with each group having independent dimming and lighting control. The backlight grouping, backlight LED drive current and ON/OFF control, flash LED drive current and ON/OFF control, and LDO output ON/OFF control are all set by 3-wire serial interface data input. Also, the RESETB pin can be connected to the microcontroller supply for a system-wide shutdown function.

FEATURES

- Noise reduction due to charge pump boost circuit
- Automatic charge pump switching to conserve power
- Drives 1 to 6 backlight white LED (30mA/ch at maximum setting)
- Drives a flash white LED (150mA at maximum setting)
- Backlight and flash white LED brightness adjustment
- Group settings for 2-group backlight lighting control
- 3-wire serial input interface for all setting and control
- 3.0V output LDO circuit built-in
- Shutdown function by RESETB pin
- Soft start circuit built-in
- Thermal protection circuit built-in
- Input voltage range
 - No-load current ($I_{OUT} = 0\text{mA}$): 2.7 to 4.6V
 - Load current ($I_{OUT} = 80\text{mA}$): 3.0 to 4.6V
 - Load current ($I_{OUT} = 200\text{mA}$): 3.3 to 4.6V
- Quiescent current
 - LDO only: 0.3mA (typ)
 - Not -switching ($\times 1.0$ mode): 0.5mA (typ)
 - Switching ($\times 1.5$ mode): 2.5mA (typ)
- Standby current: 0.01 μA (typ)
- Operating frequency: 750kHz (typ)
- Backlight LED current: 30mA/ch (typ)
- Flash LED current: 150mA (typ)
- All LED total maximum current: 200mA (typ)
- Backlight LED current matching ($I_{LED} = 30\text{mA}$): $\pm 3\%$
- Flash LED current accuracy ($I_{LED} = 150\text{mA}$): $\pm 5\%$
- LDO (Low Dropout Regulator) output voltage: $3.0\text{V} \pm 2\%$
- Packages: 20-pin QFN
WL-CSP (under development)

APPLICATIONS

- Cellular phone
- Digital still camera
- PDA
- Portable games

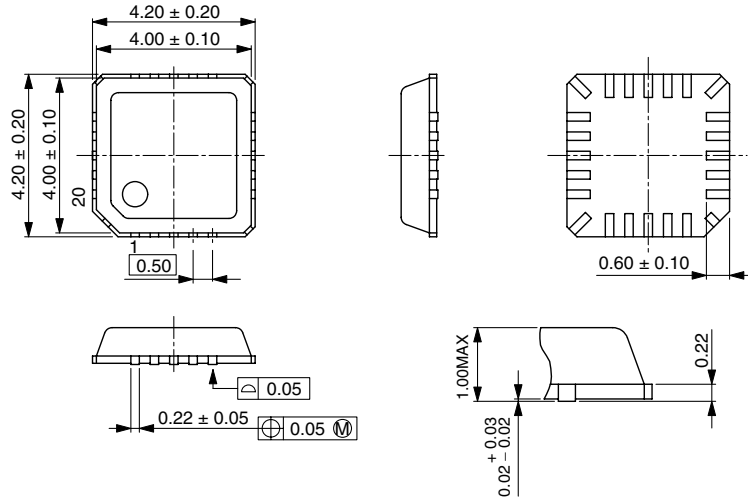
ORDERING INFORMATION

Device	Package
SM8133BB	20-pin QFN
SM8133BW	WL-CSP

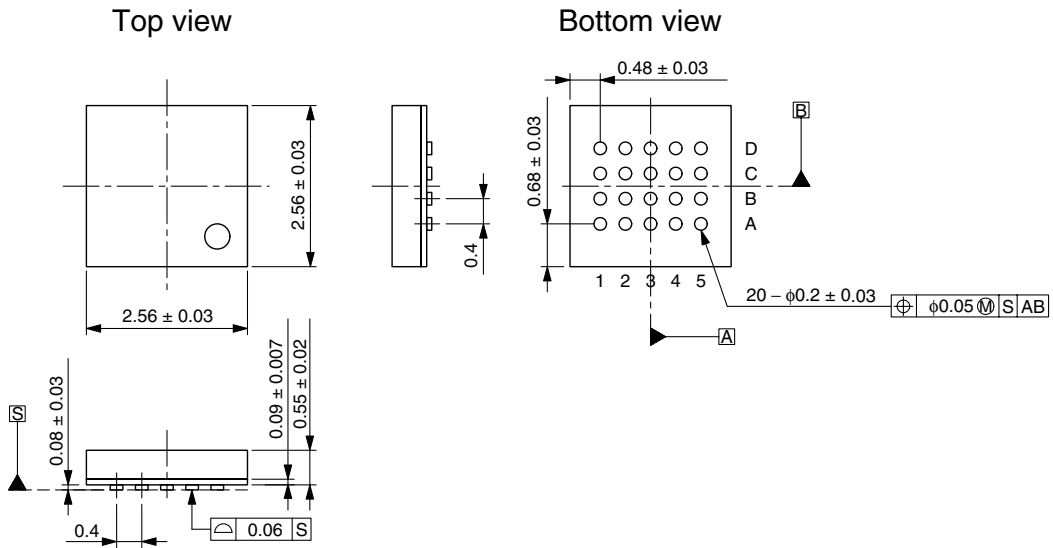
PACKAGE DIMENSIONS

(Unit: mm)

QFN-20



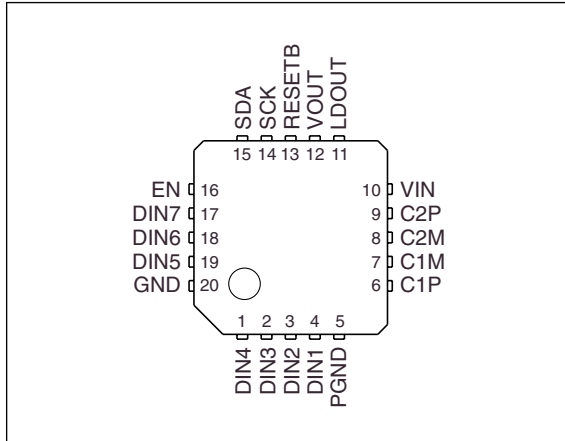
WL-CSP (under development)



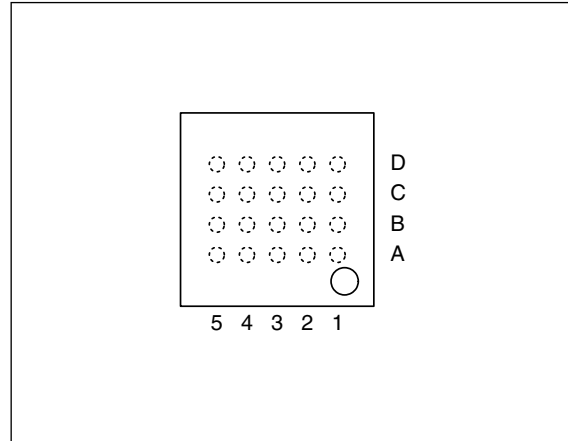
PINOUT

(Top view)

QFN-20



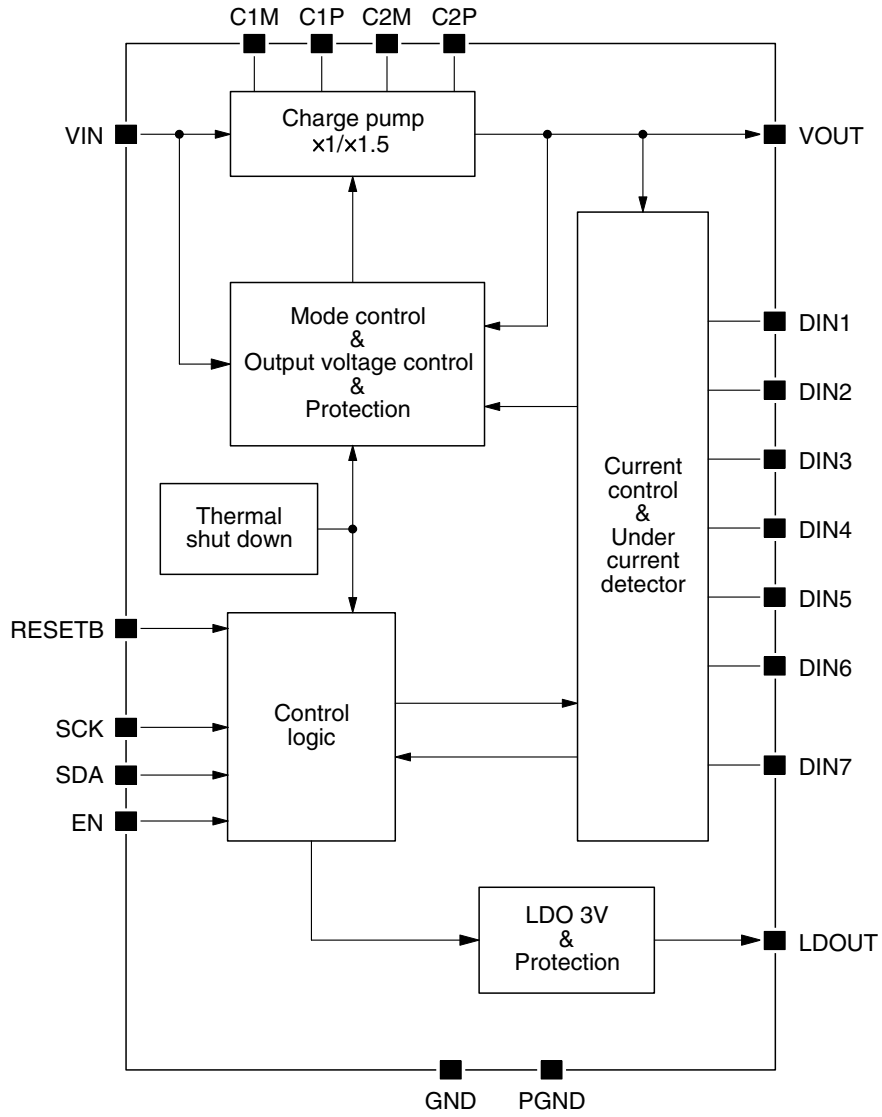
WL-CSP (under development)



PIN DESCRIPTION

Number		Name	I/O	Description
QFN-20	WL-CSP			
1	D1	DIN4	O	LED drive current control output 4 (connect to ground when not used)
2	C1	DIN3	O	LED drive current control output 3 (connect to ground when not used)
3	B1	DIN2	O	LED drive current control output 2 (connect to ground when not used)
4	B2	DIN1	O	LED drive current control output 1 (connect to ground when not used)
5	A2	PGND	–	Charge pump ground connection
6	A1	C1P	–	Charge pump capacitor connection 1P
7	A3	C1M	–	Charge pump capacitor connection 1M
8	B3	C2M	–	Charge pump capacitor connection 2M
9	B4	C2P	–	Charge pump capacitor connection 2P
10	A4	VIN	–	Voltage supply
11	A5	LDOUT	O	LDO output (leave open circuit when not used)
12	B5	VOUT	O	LED drive voltage output
13	C5	RESETB	I	Reset signal input (internal reset when RESETB is LOW)
14	C4	SCK	I	Serial data clock input
15	D5	SDA	I	Serial data input
16	D4	EN	I	Serial interface enable input
17	C3	DIN7	O	LED drive current control output 7 (connect to ground when not used)
18	D3	DIN6	O	LED drive current control output 6 (connect to ground when not used)
19	D2	DIN5	O	LED drive current control output 5 (connect to ground when not used)
20	C2	GND	–	Ground

BLOCK DIAGRAM



SPECIFICATIONS

Absolute Maximum Ratings

GND = PGND = 0V

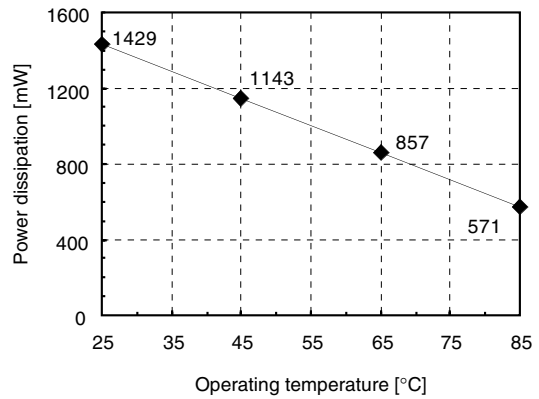
Note. The device may suffer breakdown if any one of these parameter ratings is exceeded.

Parameter	Symbol	Rating	Unit
Supply voltage range	V_{IN}	-0.3 to 5.5	V
Input voltage range	V_{EN}, V_{SCK}, V_{SDA}	-0.3 to $V_{IN} + 0.3$	V
Output voltage range	$V_{DIN1 \text{ to } 7}$	-0.3 to $V_{IN} + 0.3$	V
	V_{OUT}	5.5	V
VOOUT output current	I_{OUT}	500	mA
LDO output current	I_{LDO}	200	mA
Power dissipation	P_D	1429 ($T_a = 25^\circ\text{C}$) ^{*1}	mW
Junction temperature	T_{JMAX}	+125	°C
Storage temperature range	T_{stg}	-55 to +125	°C

*1. When mounted on a $34 \times 40 \times 1.6\text{mm}$ glass epoxy board, the power dissipation is related to the operating temperature by the following equation.

- Maximum junction temperature: $T_{MAX} = 125^\circ\text{C}$
- Operating temperature: T_a [°C]
- Thermal resistance: $\theta_J = 70^\circ\text{C/W}$

$$P_D = \frac{(T_{MAX} - T_a)}{\theta_J}$$



Recommended Operating Conditions

GND = PGND = 0V

Parameter	Pin	Symbol	Conditions	Rating			Unit
				min	typ	max	
Supply voltage range	VIN	V_{IN1}	×1.0 mode, $I_{OUT} = 0\text{mA}$	2.7	3.6	4.6	V
		V_{IN2}	×1.5 mode, $I_{OUT} = 80\text{mA}$	3.0	3.6	4.6	V
		V_{IN3}	×1.5 mode, $I_{OUT} = 200\text{mA}$	3.3	3.6	4.6	V
Input voltage range	EN, SCK, SDA, RESETB	V_{ES}	Each logic-level pin	0	–	V_{IN}	V
Ambient temperature range	–	T_a		-30	–	+85	°C

Electrical Characteristics

DC Characteristics

GND = PGND = 0V, $V_{IN} = 3.6V$, $T_a = 25^\circ C$ unless otherwise noted.

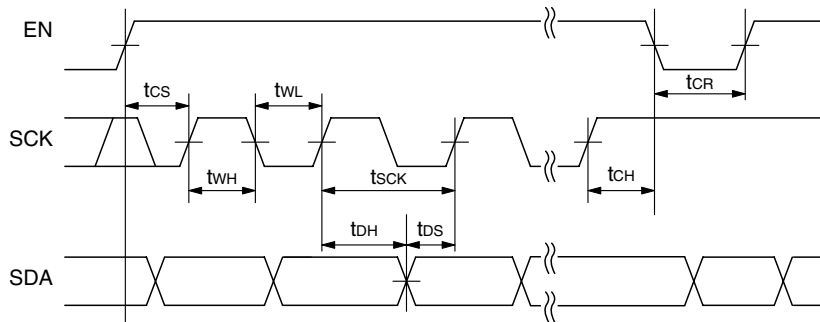
Parameter	Pin	Symbol	Condition	Rating			Unit
				min	typ	max	
Standby current	VIN	I_{STB}	Standby mode	–	0.01	1.00	μA
Quiescent current	VIN	I_{DD1}	LDO-only operating, no load	–	0.3	0.7	mA
		I_{DD2}	$\times 1.0$ mode, no load	–	0.5	1.0	mA
		I_{DD3}	$\times 1.5$ mode, no load	–	2.5	4.0	mA
Maximum output voltage	VOOUT	V_{OUT}	$\times 1.5$ mode VOOUT maximum voltage	4.8	5.0	5.2	V
Maximum output current	VOOUT	I_{OUT}	$\times 1.5$ mode	200	–	–	mA
Operating frequency	C1M	f_{OSC}	$\times 1.5$ mode switching frequency	650	750	850	kHz
Internal circuit power-ON reset time ^{*1}	VIN	T_{POR}	Time from when power is applied until internal circuit reset	–	0.02	0.10	ms
Soft start time	DIN1 to 7	T_{SS}	Time between EN signal falling edge and LED turning ON	–	1.3	3.0	ms
LED drive pin leakage current	DIN1 to 7	$I_{LEAK1\ to\ 7}$	Standby mode, $V_{DIN1\ to\ 7} = 5.0V$	–	0.01	1.00	μA
LED drive current matching	DIN1 to 6	ΔI_{LED}	$\times 1.0$ mode, matching between channels with $I_{LED1\ to\ 6}$ maximum setting	–3.0	–	+3.0	%
LED maximum drive current 1	DIN1 to 6	$I_{LED1\ to\ 6}$	$\times 1.0$ mode, $I_{LED1\ to\ 6}$ maximum setting	27.0	30.0	33.0	mA
LED drive pin voltage 1	DIN1 to 6	$V_{DIN1\ to\ 6}$	$I_{LED1\ to\ 6}$ maximum setting	80	120	150	mV
LED maximum drive current 2	DIN7	I_{LED7}	$\times 1.5$ mode, I_{LED7} maximum setting	142.5	150.0	157.5	mA
LED drive pin voltage 2	DIN7	V_{DIN7}	I_{DIN7} maximum setting	225	300	375	mV
LDO output voltage	LDOUT	V_{LDO}	$V_{IN} = 3.6V$, $I_{LDO} = 100mA$	2.94	3.00	3.06	V
LDO maximum output current	LDOUT	I_{LDO}	$V_{IN} = 3.0V$, $V_{LDO} = 2.85V$	100	–	–	mA
LDO input stability	LDOUT	ΔV_{OUT1}	$3.3V \leq V_{IN} \leq 4.6V$, $I_{LDO} = 30mA$	–	–	1.0	%/V
LDO load stability	LDOUT	ΔV_{OUT2}	$V_{IN} = 3.6V$, $10\mu A \leq I_{LDO} \leq 80mA$	–	–	100	mV
LDO overcurrent protection circuit operating current	LDOUT	I_{OS}	$V_{IN} = 3.6V$	120	230	360	mA
Thermal protection circuit operating temperature ^{*1}	–	T_{SD}	Not in test mode	–	180	–	$^\circ C$
Thermal protection circuit hysteresis ^{*1}	–	T_{SDHYS}	Not in test mode	–	20	–	$^\circ C$
Logic-level input voltage	EN, SCK, SDA, RESETB	V_{IH}	HIGH-level input voltage range	1.8	–	–	V
		V_{IL}	LOW-level input voltage range	–	–	0.6	V
		V_{IHYS}	Hysteresis voltage width	–	0.3	0.5	V
Logic-level input current	EN, SCK, SDA, RESETB	I_{IL}	EN = SCK = SDA = RESETB = VIN	–	–	1.0	μA
		I_{IH}	EN = SCK = SDA = RESETB = GND	–1.0	–	–	μA

*1. Design guaranteed value

AC Characteristics

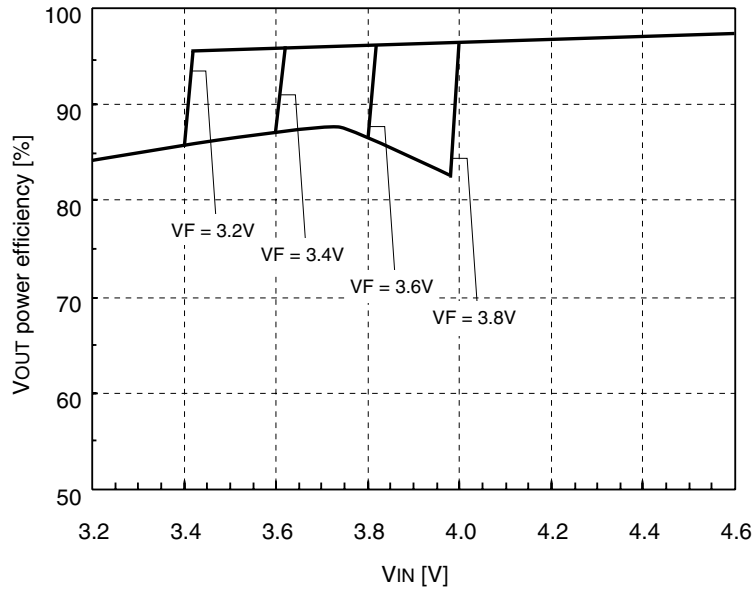
GND = 0V, $V_{IN} = 3.6V$, $T_a = 25^\circ C$ unless otherwise noted.

Parameter	Symbol	Condition	Rating			Unit
			min	typ	max	
SCK clock cycle	t_{SCK}		2000	–	DC	ns
SCK HIGH-level pulse width	t_{WH}		800	–	–	ns
SCK LOW-level pulse width	t_{WL}		800	–	–	ns
EN setup time	t_{CS}		1000	–	–	ns
EN hold time	t_{CH}		800	–	–	ns
EN recovery time	t_{CR}		1000	–	–	ns
Write data setup time	t_{DS}		600	–	–	ns
Write data hold time	t_{DH}		600	–	–	ns

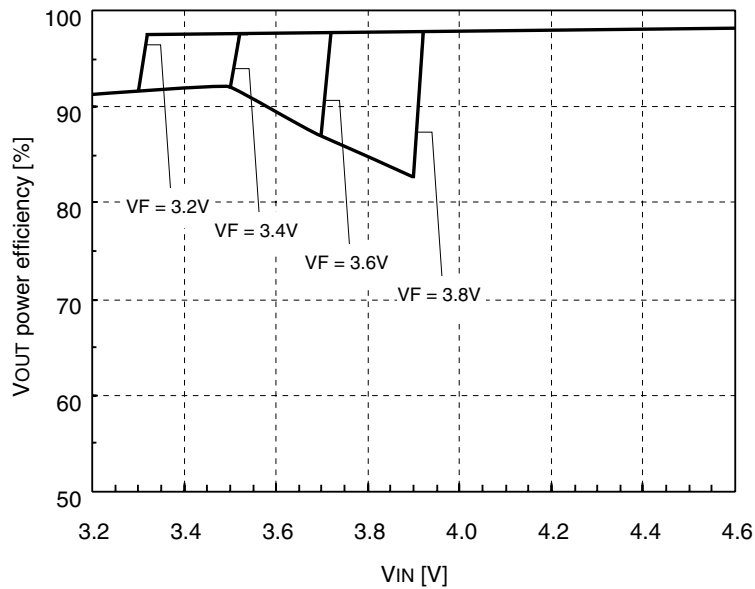


Data input timing diagram

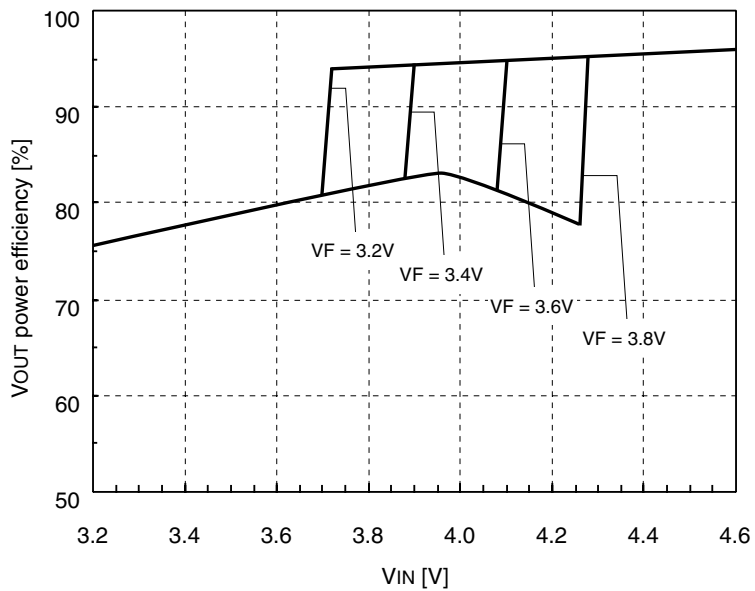
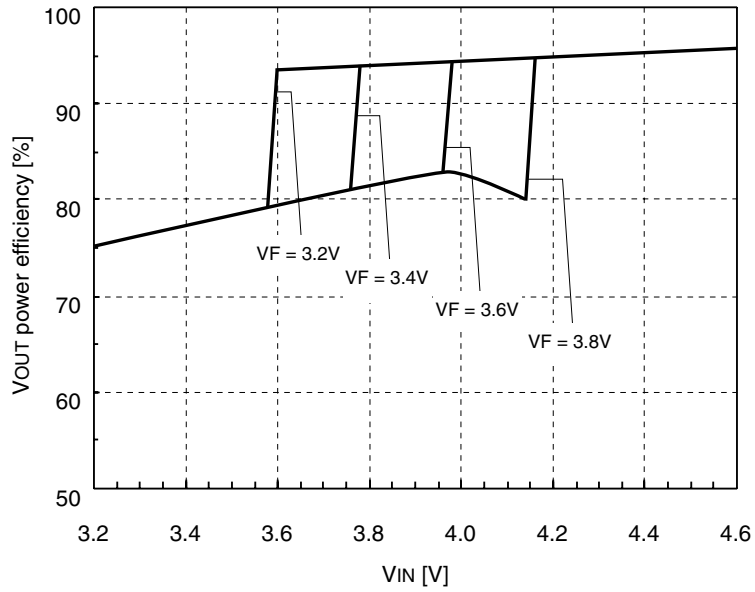
V_{OUT} EFFICIENCY

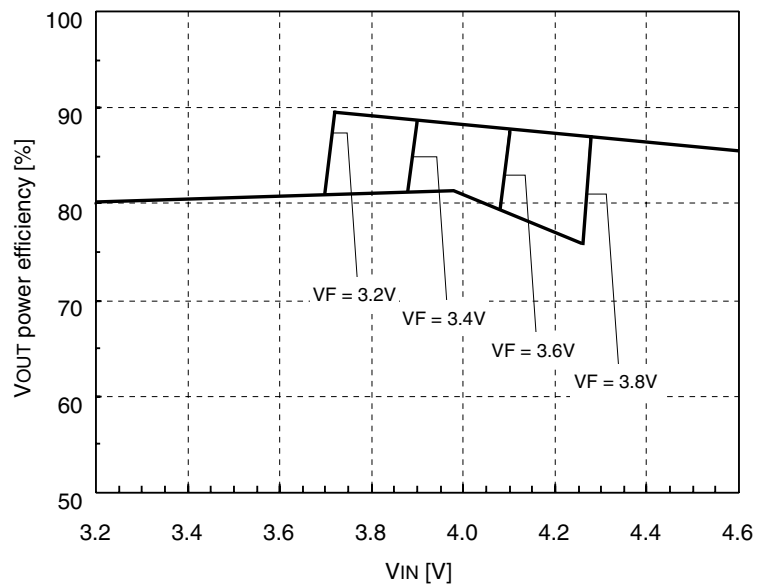
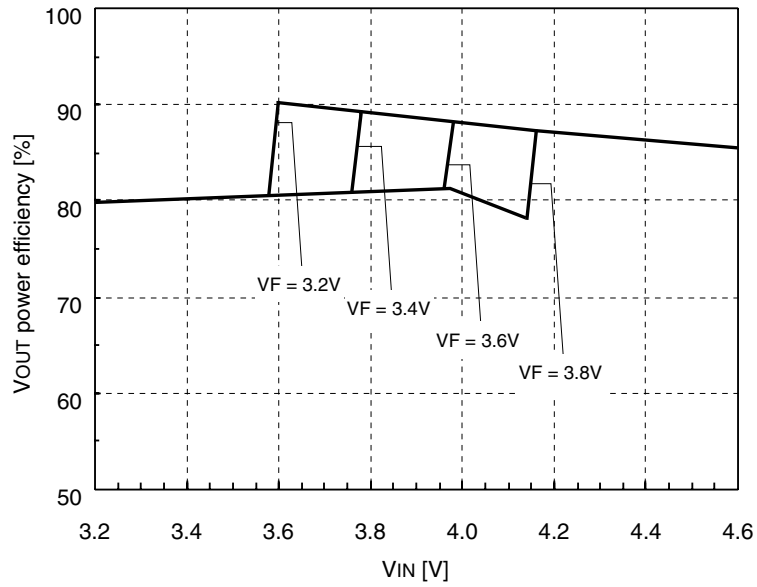


Efficiency of P_{IN} vs. P_{OUT}
 Backlight LED × 6pcs, I_{LED1 to 6} = 20mA,
 Flash LED × 1pc, I_{LED7} = 0mA,
 I_{OUT} = 120mA, I_{LDO} = 0mA



Efficiency of P_{IN} vs. P_{OUT}
 Backlight LED × 3pcs, I_{LED1 to 6} = 15mA,
 Flash LED × 1pc, I_{LED7} = 0mA,
 I_{OUT} = 45mA, I_{LDO} = 0mA





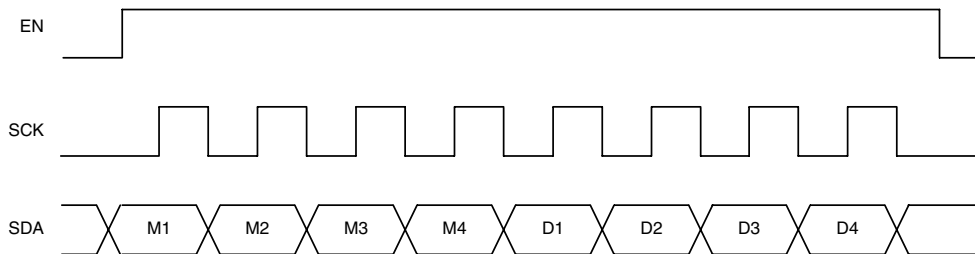
FUNCTIONAL DESCRIPTION

Serial Interface

The SM8133B uses a 3-wire serial interface to control each setting. Input data on SDA is input MSB first in an 8 clock pulse cycle structure, with the first 4 cycles of data setting the mode and the next 4 the corresponding mode data. Data bits on SDA are read as received data on the rising edges of the SCK clock after EN goes HIGH. Only the leading 8 bits on SDA are read after EN goes HIGH and all subsequent input data bits are ignored, but the received data is reflected in SM8133B operation with timing almost simultaneous with the EN falling edge. Conversely, if less than 8 bits are input on SDA, the data is ignored to prevent incorrect operation. All registers are write-only, and their status cannot be read. After power is applied, an internal power-ON reset circuit initializes all registers to logic level LOW in standby mode. However, the possibility exists that there may be insufficient reset time, depending on the VIN input voltage rise time and fall time, so reset mode (0H or EH) should be expressly invoked after power is applied. There is no restriction in the input sequence when setting parameters. However, since the parameters are set in the same order as the data input sequence and the time taken from LED ON/OFF data input to LED dimming data input can exceed the soft start time, it is highly advisable to enter the LED dimming data first. The charge pump circuit, that supplies the LED drive voltage, starts whenever any parameter in address 5H (LED ON register) is set to 1, with the LED drive voltage output on VOUT. Conversely, when all parameters in address 5H are set to 0, all other parameter data settings input after reset are retained in standby mode. The serial interface pins EN, SDA, CSK, and RESETB are CMOS inputs, thus the input voltage on VIN must be a logic-level voltage and should not be left open circuit (floating).

Control Data

Mode selection data				Setting data			
M1	M2	M3	M4	D1	D2	D3	D4
MSB	Data 1	Data 2	Data 3	Data 4	Data 5	Data 6	LSB



Control data input sequence

■ Mode selection

Mode data	0H	1H	2H	3H	4H
Mode	Reset	Grouping	A group dimming	B group dimming	DIN7 dimming
M1-M2-M3-M4	L-L-L-L	L-L-L-H	L-L-H-L	L-L-H-H	L-H-L-L
Mode data	5H	6H	EH	FH	Other
Mode	LED ON	System settings	Reset	Serial input test	NPC test
M1-M2-M3-M4	L-H-L-H	L-H-H-L	H-H-H-L	H-H-H-H	—

Mode data “0H”: Reset register**Mode data “EH”: Reset register**

Setting data	D1	D2	D3	D4
High	All system data reset			
Low	System standby			

Reset mode is selected if EN goes LOW 4 clock cycles after 0H or EH mode select data is input, regardless of when power is applied or the parameter set data bits. When reset mode is selected, all data input previously is reset, thus grouping, dimming, and control data must be reentered.

Mode data “1H”: Grouping register

Setting data	D1	D2	D3	D4
High	LED3 = B group	LED4 = B group	LED5 = B group	LED6 = B group
Low	LED3 = A group	LED4 = A group	LED5 = A group	LED6 = A group

LED1 and LED2 are always assigned to A group. When a setting data bit is LOW, A group is selected. When HIGH, B group is selected.

Mode data “2H”: A group dimming register**Mode data “3H”: B group dimming register****Mode data “4H”: DIN7 dimming register**

Setting data	D1	D2	D3	D4	Selected dimming value
0H	Low	Low	Low	Low	0/15
1H	Low	Low	Low	High	1/15
2H	Low	Low	High	Low	2/15
3H	Low	Low	High	High	3/15
4H	Low	High	Low	Low	4/15
5H	Low	High	Low	High	5/15
6H	Low	High	High	Low	6/15
7H	Low	High	High	High	7/15
8H	High	Low	Low	Low	8/15
9H	High	Low	Low	High	9/15
AH	High	Low	High	Low	10/15
BH	High	Low	High	High	11/15
CH	High	High	Low	Low	12/15
DH	High	High	Low	High	13/15
EH	High	High	High	Low	14/15
FH	High	High	High	High	15/15

D1 to D4 setting data bits control the each group LED current in 15 steps. See “LED drive current”.

Mode data “5H”: LED ON register

Setting data	D1	D2	D3	D4
High	A group ON	B group ON	DIN7 ON	LDO ON
Low	A group OFF	B group OFF	DIN7 OFF	LDO OFF

This register controls the A group, B group, DIN7, and LDO ON/OFF state. Each state is ON when the corresponding bit is HIGH, and OFF when LOW. Each circuit starts when the corresponding bit in address 5H is set HIGH, transferring from standby mode. It is recommended that these 4 data settings be held LOW when possible to control current consumption.

Mode data “6H”: System register

Setting data	D1	D2	D3	D4
High	A group maximum current = 15mA	B group maximum current = 15mA	DIN7 maximum current = 75mA	–
Low	A group maximum current = 30mA	B group maximum current = 30mA	DIN7 maximum current = 150mA	–

Note. Target values only. Current rating accuracy is not guaranteed.

This register sets the maximum current drive for each group. For A and B group, LOW sets 30mA as the maximum, HIGH sets 15mA. For DIN7, LOW sets 150mA, HIGH sets 75mA as the maximum.

LED drive current (Hexadecimal)

Dimming register value	A group		B group		DIN7		Unit
	A group max. current = 0	A group max. current = 1	B group max. current = 0	B group max. current = 1	DIN7 max. current = 0	DIN7 max. current = 1	
0H	0	0	0	0	0	0	mA
1H	2	1	2	1	10	5	mA
2H	4	2	4	2	20	10	mA
3H	6	3	6	3	30	15	mA
4H	8	4	8	4	40	20	mA
5H	10	5	10	5	50	25	mA
6H	12	6	12	6	60	30	mA
7H	14	7	14	7	70	35	mA
8H	16	8	16	8	80	40	mA
9H	18	9	18	9	90	45	mA
AH	20	10	20	10	100	50	mA
BH	22	11	22	11	110	55	mA
CH	24	12	24	12	120	60	mA
DH	26	13	26	13	130	65	mA
EH	28	14	28	14	140	70	mA
FH	30	15	30	15	150	75	mA

Note. “H”: Hexadecimal

Note. Target values only. Current rating accuracy is not guaranteed.

LDO (Low Dropout Voltage Regulator)

Operation is controlled using the LDO register (LSB in address “5H”). When the LDO register is set to 1, a regulated stable voltage is output from LDOUT. If the overcurrent protection circuit connected to LDOUT detects a continuous overcurrent condition for approximately 200 μ s, the LDO output stops and then restarts after a delay of approximately 1.4 seconds. At this point, if an overcurrent condition is detected again, the LDO output stops. If the overcurrent condition is detected a total of 12 successive times (approximately 16.8 seconds), the LDO load is deemed to be abnormal and the LDO output stops completely. The abnormal load condition is released only by selecting reset mode operation.

Thermal Shutdown Circuit (Overheating Protection)

The thermal shutdown circuit operates whenever the IC temperature exceeds approximately 180°C for whatever reason. VOUT output recommences when the IC temperature falls below approximately 160°C.

RESETB Input (Internal Circuit Reset Signal)

If the microcontroller, which drives the serial data inputs, stops, the SM8133B logic-level signal inputs are left floating and the SM8133B will most likely not transfer to standby mode normally. However, the RESETB pin can be connected to the microcontroller supply pin, so that the SM8133B is reset automatically whenever the voltage on RESETB drops. A pull-down resistor should be connected between RESETB and GND to avoid a floating RESETB input with voltage applied to the VIN pin.

V_{OUT} Output Circuit Mode Switching

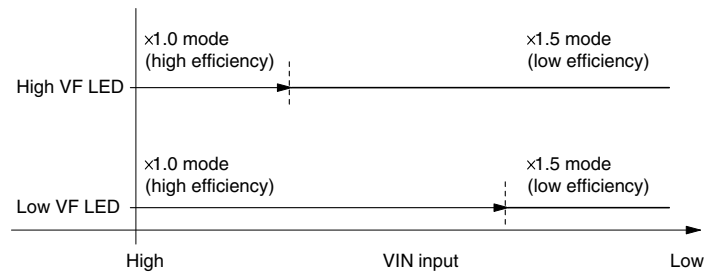
The SM8133B switches between 3 output states: power-save mode (standby state), $\times 1.0$ mode (VIN through mode), and $\times 1.5$ mode ($\times 1.5$ charge pump boost). This automatically adjusts the VOUT output to match the drive LED characteristics and reduces the total power dissipation. Switching to and from $\times 1.0$ and $\times 1.5$ mode occurs automatically in an internal circuit, and cannot be controlled using an external input.

Switching to standby mode

The internal circuit operating mode switches from $\times 1.0/\times 1.5$ mode to standby mode when Reset resistor (mode data “0H”, “EH”) was input, suppressing current consumption.

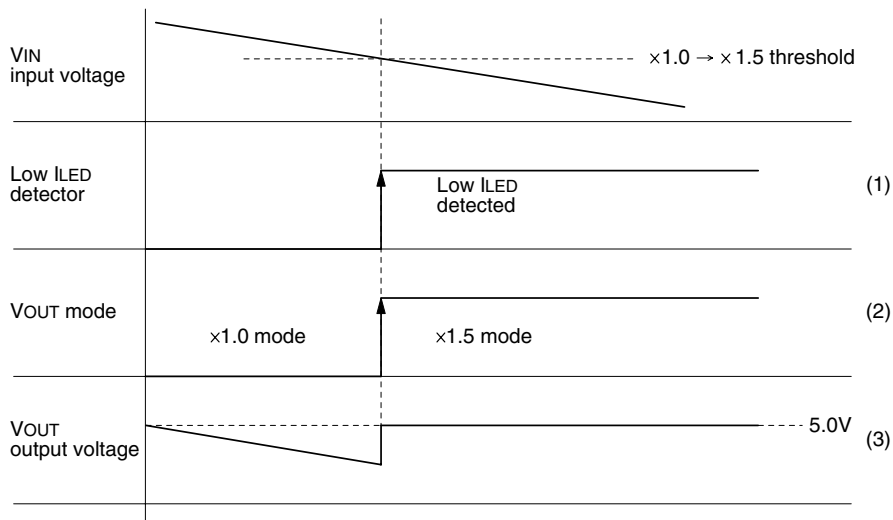
Switching from $\times 1.0$ mode to $\times 1.5$ mode

If the LED drive current set by serial interface can be driven without boosting the V_{IN} input voltage, the V_{OUT} output operates in $\times 1.0$ mode. In other words, if sufficient current flows even with the LED forward-direction voltage drop “VF”, then V_{OUT} is less than 5.0V. Operation in the more efficient $\times 1.0$ mode reduces the total power dissipation and extends the battery drive time. And if low “VF” LEDs are used or the LED drive current setting is LOW, the operating time in $\times 1.0$ mode is also extended.



V_{OUT} mode switching time comparison due to drive LED “VF” variation

If the V_{IN} voltage falls or LED drive current set by serial interface increases such that the LED drive current is too low in $\times 1.0$ mode, then the LED drive circuit low-current detector operates, the V_{OUT} output is automatically switched to $\times 1.5$ mode, and the charge pump boosts the output voltage. This occurs even if only one LED low-current condition is detected among the 7-channel LED drive circuits, thus it is recommended that LEDs have small “VF” variation to optimize the total efficiency.



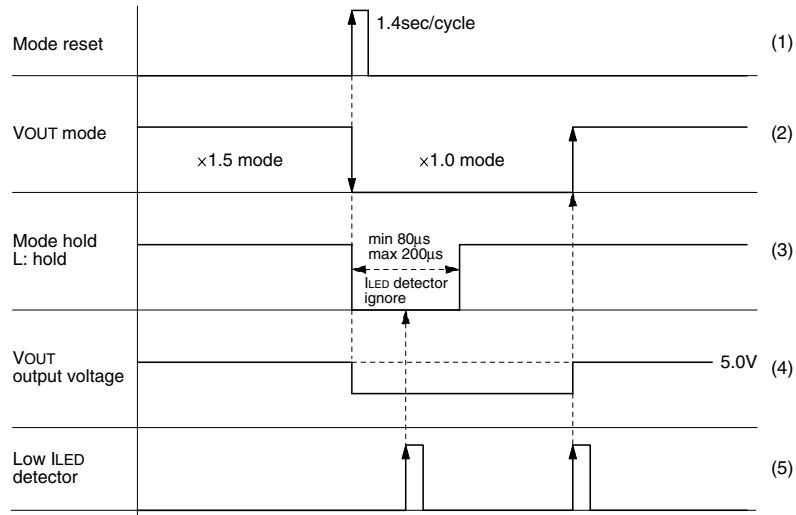
V_{IN} voltage drop and V_{OUT} output voltage

- (1) When V_{IN} falls, V_{OUT} cannot overcome the LED “VF” rating, causing insufficient current flows and the I_{LED} low-current signal becomes active.
- (2) When the I_{LED} low-current condition is detected, the V_{OUT} output circuit switches to $\times 1.5$ mode (charge pump mode).
- (3) Prior to switching to $\times 1.5$ mode, the V_{OUT} voltage may be lower than 5.0V but sufficient current is supplied to the LED.

If after startup, the LED connected to a DIN pin is switched, the LED connection detector circuit flags an error, and correct mode switching may not occur. If the DIN pin does not control the LED drive current, the low-current detector does not operate and the device cannot switch to $\times 1.5$ mode.

Switching from $\times 1.5$ mode to $\times 1.0$ mode

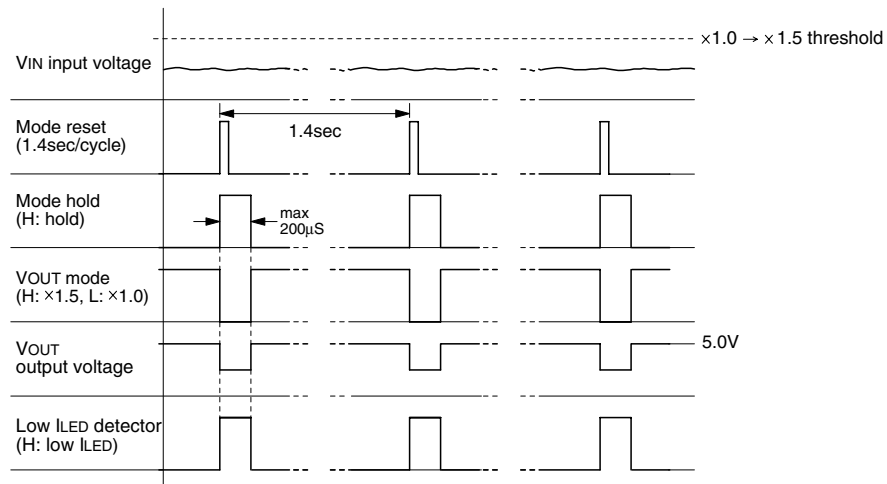
V_F increases immediately after the LED current starts to flow, and then decreases as the LED temperature increases due to the heating effect of the current flow. It can take about 10 seconds for the LED temperature to stabilize and for V_F to reach equilibrium, and V_F may fluctuate more than 200mV. The V_F fluctuation is affected by the ambient temperature and LED current setting, and has a large effect on the automatic mode switching voltage tolerances. To counter the effects of V_F fluctuation, the SM8133B outputs a mode reset signal once every 1.4 seconds which automatically switches the output mode to $\times 1.0$, and then a determination is made whether to make the $\times 1.0 \rightarrow \times 1.5$ mode switch.



Switching from $\times 1.5$ to $\times 1.0$ mode due to the mode reset signal

- (1) Mode reset signal is output once every 1.4 seconds.
- (2) Switching from $\times 1.5$ to $\times 1.0$ mode due to the mode reset pulse.
- (3) The mode hold time of 200 μs (max) starts when output switches to $\times 1.0$ mode. During this interval, the mode is not switched even if an I_{LED} undercurrent condition is detected.
- (4) If V_{IN} is low, the V_{OUT} voltage momentarily drops because the boost function stops as a result of switching to $\times 1.0$ mode.
- (5) The I_{LED} undercurrent signal is ignored during the mode hold time, and the mode only switches in response to the detector output after the mode hold time expires.

For example, if the V_{IN} voltage is low and the V_{OUT} output voltage in $\times 1.0$ mode does not provide sufficient drive current, then the mode reset will cause a LED undercurrent condition. The LED undercurrent detector circuit will output an LED undercurrent signal immediately after the switch to $\times 1.0$ mode, but the output will stay in $\times 1.0$ mode and not return to $\times 1.5$ mode for the duration of the mode hold time. Consequently, the V_{OUT} output is not boosted during the $85\mu\text{s}$ (min) to $200\mu\text{s}$ (max) mode hold time and the voltage drops and the LED brightness is reduced. However, the LEDs are OFF for a maximum of $200\mu\text{s}$ only, and this is not discernible to the naked eye and thus is not a problem.



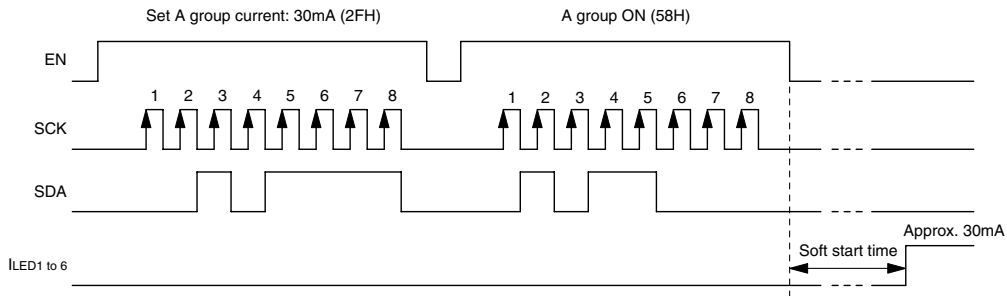
V_{OUT} drop due to the mode reset single

STARTUP SEQUENCE

After power is applied to the SM8133B or when a reset input occurs (active-LOW input on RESETB or reset register mode setting), the internal power-ON reset circuit initializes all registers to their default value of 0. Consequently, all required data for LED drive operation must be input using the serial interface. The registers can be addressed in arbitrary sequence. Note that the registers are set in the same sequence as they are addressed.

Example 1. Set LED1 to LED6 to 30mA drive without group setting

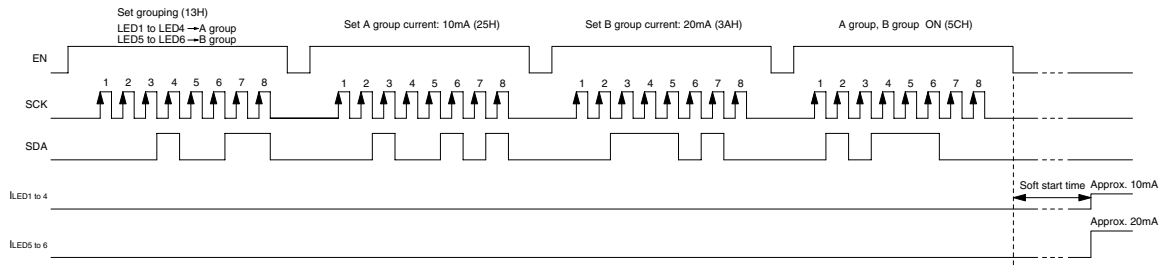
Set EN HIGH, input “2FH” using the serial interface, set EN LOW (A group current setting 30mA), set EN HIGH, input “58H”, set EN LOW (A group ON), LED1 to LED6 turn ON after the soft start ends.



Example 1 input waveform

Example 2. Set LED1 to LED4 to A group, LED5 and LED6 to B group, and individual group brightness

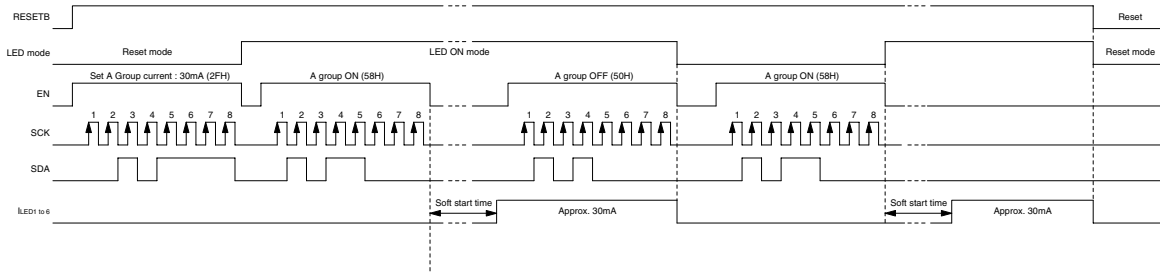
Input “13H” using the serial interface (group setting), input “25H” (A group current setting 10mA), input “3AH” (B group current setting 20mA), input “5CH” (A and B groups ON) on successive EN cycles. LED1 to LED6 turn ON after the soft start ends.



Example 2 input waveform

Example 3. Set LED1 to LED6 to 30mA drive, temporarily turn OFF, turn ON again, and reset using RESETB input without group setting

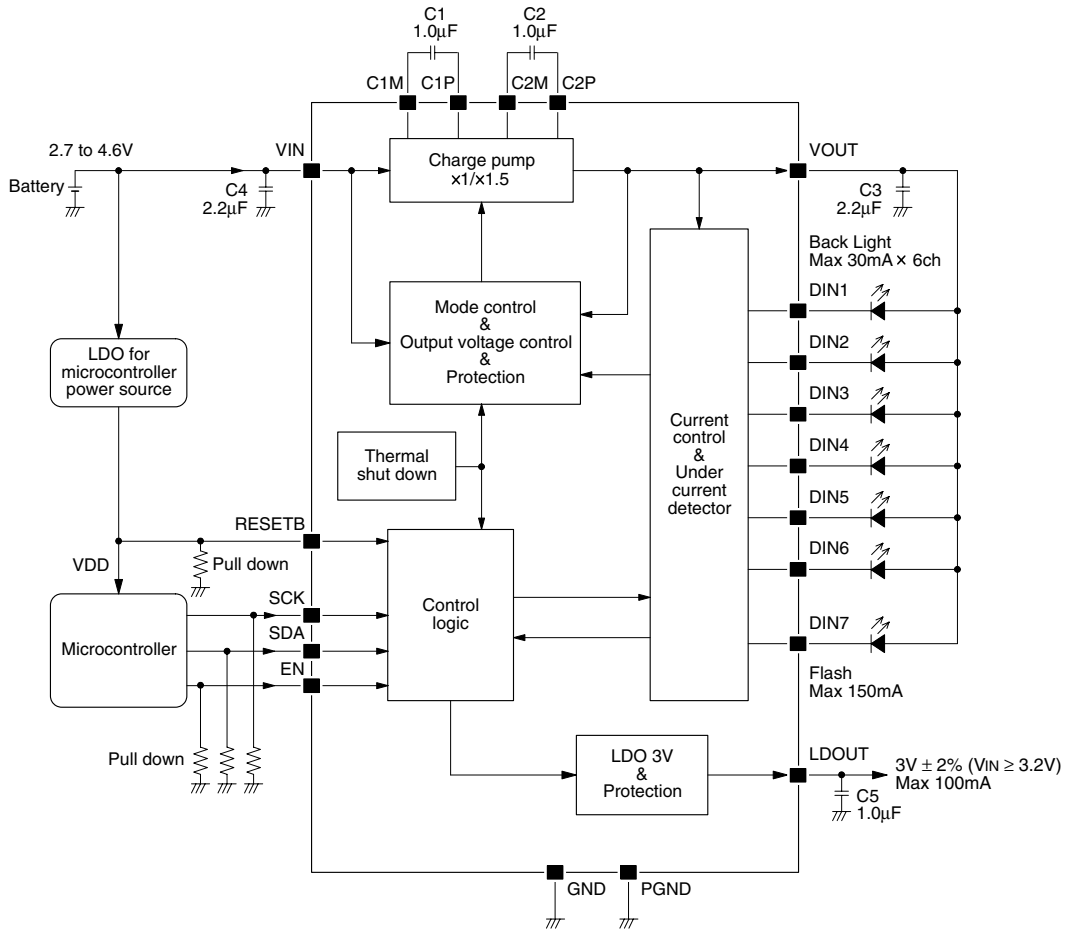
Input “2FH”(A group current setting 30mA) and “58H” (A group ON) from the serial interface. LED1 to LED6 turn ON after the soft start ends. While the LEDs are ON, input “50H” (A group OFF) to turn the LEDs OFF and transfer the SM8133B to standby mode. The internal register setting “2FH” (A group current setting 30mA) data is retained during standby mode, so you need to input “58H” (A group ON) only to turn the LEDs ON again. At this point, the charge pump soft start circuit operates again, taking a soft start time of approximately 1.3ms from when the data is input to when the LEDs turn ON. If RESETB is connected to the micro-controller power supply and the supply goes LOW, the SM8133B is reset, the LEDs turn OFF, and operation transfers to standby mode.



Example 3 input waveform

TYPICAL APPLICATION CIRCUIT

If the RESETB input is connected to the microcontroller power supply, the SM8133B is reset when microcontroller power supply stops, and operation transfers to standby mode. In circuits where the SM8133B logic-level inputs would become open circuit (floating) when the microcontroller supply stops, pull-down resistors should be connected to each logic-level signal input.



Note. If the driving LEDs are less than 7 pcs, the unused DIN pins should be connected to GND.
If the LDO is not used, LDOUT pin should be left open circuit.

PERIPHERAL PARTS

About the External Capacitors

The best capacitors for use with the SM8133B are multi-layer ceramic capacitors. When selecting a multi-layer ceramic capacitor, only X5R and X7R dielectric types are strongly recommended, since the loss of capacitance in various conditions is less than other types such as Z5U and Y5V. The much loss of capacitance in various conditions may cause the output voltage unstable.

Table. The EIA three digit "TC" code

Lower temperature limit	High temperature limit	Maximum allowable capacitance change from + 25°C (0V DC)
X = -55°C	5 = +85°C	F = ± 7.5%
Y = -30°C	6 = +105°C	P = ± 10%
Z = +10°C	7 = +125°C	R = ± 15%
	8 = +150°C	S = ± 22%
		T = +22%/-33%
		U = +22%/-56%
		V = +22%/-82%

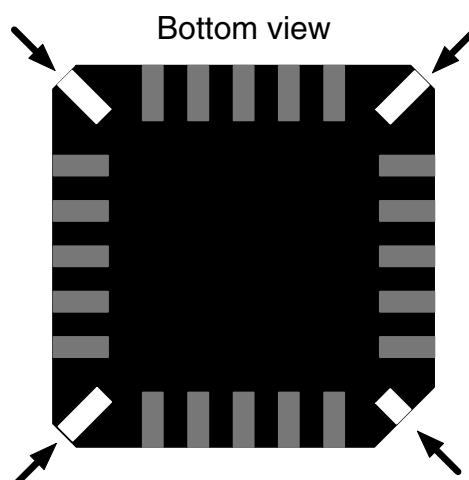
For example : X5R

About the Input Capacitor "C4"

The parts layout of PCB may merely cause the "V_{OUT}" output voltage unstable. In this case, increasing the "C4" input capacitance value or adding another capacitor on the VIN input line is effective to solve the unstable output voltage.

QFN-20 Package

Package corner metals are not IC I/O pins. Don't connect any lines to these corner metals.

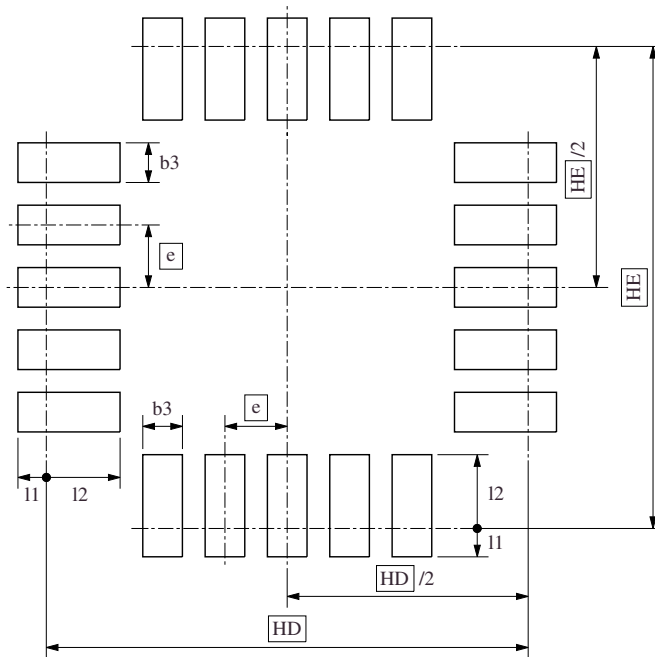


FOOTPRINT PATTERN

The optimum footprint varies depending on the board material, soldering paste, soldering method, and equipment accuracy, all of which need to be considered to meet design specifications.

(Unit: mm)

Package	HE	HD	e	b3	I1	I2
QFN-20	4.2	4.2	0.5	0.30 ± 0.05	0.20 ± 0.05	0.70 ± 0.05



Please pay your attention to the following points at time of using the products shown in this document.

The products shown in this document (hereinafter "Products") are not intended to be used for the apparatus that exerts harmful influence on human lives due to the defects, failure or malfunction of the Products. Customers are requested to obtain prior written agreement for such use from SEIKO NPC CORPORATION (hereinafter "NPC"). Customers shall be solely responsible for, and indemnify and hold NPC free and harmless from, any and all claims, damages, losses, expenses or lawsuits, due to such use without such agreement. NPC reserves the right to change the specifications of the Products in order to improve the characteristic or reliability thereof. NPC makes no claim or warranty that the contents described in this document dose not infringe any intellectual property right or other similar right owned by third parties. Therefore, NPC shall not be responsible for such problems, even if the use is in accordance with the descriptions provided in this document. Any descriptions including applications, circuits, and the parameters of the Products in this document are for reference to use the Products, and shall not be guaranteed free from defect, inapplicability to the design for the mass-production products without further testing or modification. Customers are requested not to export or re-export, directly or indirectly, the Products to any country or any entity not in compliance with or in violation of the national export administration laws, treaties, orders and regulations. Customers are requested appropriately take steps to obtain required permissions or approvals from appropriate government agencies.

The logo for SEIKO NPC CORPORATION, consisting of the letters 'NPC' in a bold, black, sans-serif font.

SEIKO NPC CORPORATION

15-6, Nihombashi-kabutocho, Chuo-ku,
Tokyo 103-0026, Japan
Telephone: +81-3-6667-6601
Facsimile: +81-3-6667-6611
<http://www.npc.co.jp/>
Email: sales@npc.co.jp

NC0503CE 2006.04