

## SHIELDED SMD INDUCTOR DR350-2 SERIES

### Features

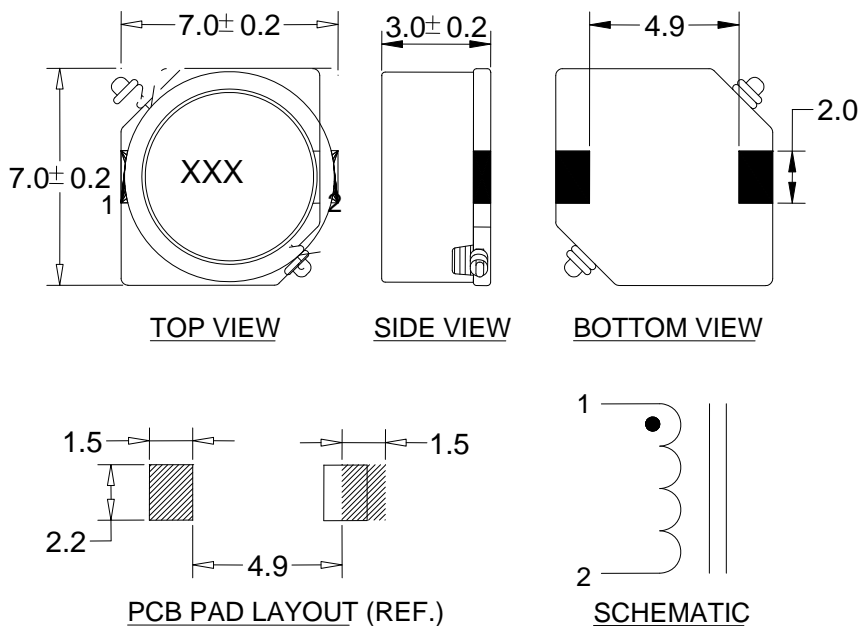
- Low Profile Surface Mount Design
- Flat Top for Pick and Place
- Inductance Range from 3.3 $\mu$ H to 100.0 $\mu$ H
- Operating Temp. -40°C to +85°C
- Tinned Leads with Leaded Solder is Available (note 7)



### ELECTRICAL SPECIFICATIONS AT 25°C

Part No.	Inductance ( $\mu$ H) $\pm$ 20%	DCR ( $\Omega$ ) $\pm$ 20%	$I_{rms}$ (A) Max.	$I_{sat}$ (A) Max.
DR350-2-332	3.3	0.023	1.80	1.80
DR350-2-472	4.7	0.036	1.60	1.60
DR350-2-682	6.8	0.041	1.50	1.50
DR350-2-103	10.0	0.053	1.30	1.30
DR350-2-153	15.0	0.084	1.00	1.00
DR350-2-223	22.0	0.110	0.86	0.86
DR350-2-333	33.0	0.160	0.65	0.65
DR350-2-473	47.0	0.240	0.57	0.57
DR350-2-683	68.0	0.310	0.49	0.49
DR350-2-104	100.0	0.450	0.35	0.35

### MECHANICAL OUTLINES



### Notes:

1. All dimensions are shown in millimeter "mm"
2. General tolerance  $\pm$ 0.2mm, unless other specified
3. Inductance Test: 1kHz, 0.5Vrms
4.  $I_{rms}$  for an approximate 45°C temperature rise
5.  $I_{sat}$  for an approximate 20% drop maximum of the nominal value
6. Tape and reel quantity, 1000 pcs/reel
7. For non-RoHS parts replace DR prefix with 42- (e.g. DR350-2 becomes 42-350-2)
8. Terminal finish is compliant to RoHS requirements. Solder in accordance with J-STD-020D.