

AN5043SC

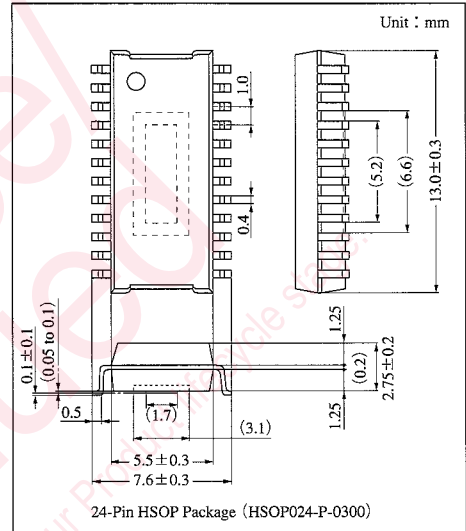
TV-Tuner Band Switch IC (with 31V regulated power supply)

Overview

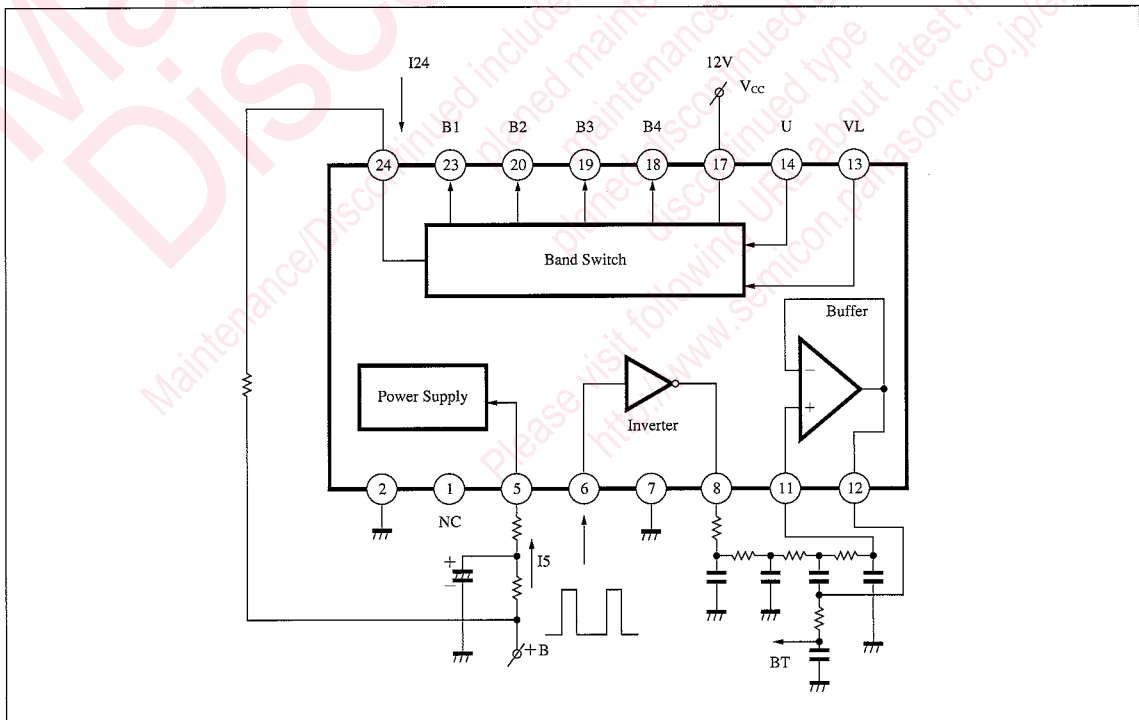
The AN5043SC is a band switching IC for TV tuners, incorporating a 31V regulated power supply circuit.

Features

- Band switches for UHF and VHF (Low, High), and 31V regulated power supply circuit built-in.
- Built-in an operational amplifier and an inverter (for PWM control signals)



Block Diagram



Absolute Maximum Ratings

Parameter	Symbol	Rating	Unit
Supply voltage	$V_{CC(V17-2)}$	14.4	V
Supply current	$I_{CC(I5)}$	15.0	mA
Power dissipation ^{Note 2)}	P_D	660	mW
Operating ambient temperature ^{Note 1)}	T_{opr}	-20 to +70	°C
Storage temperature ^{Note 1)}	T_{stg}	-55 to +150	°C

Note 1) $T_a = 25^\circ\text{C}$ except operating ambient temperature and storage temperature.

Note 2) Allowable power dissipation of the package at $T_a = 70^\circ\text{C}$.

Recommended Operating Range ($T_a = 25^\circ\text{C}$)

Parameter	Symbol	Range
Operating supply voltage range	$V_{CC(V17-2)}$	9.6V to 14.4V
Operating supply current range	I_{24}	2.7mA to 5.5mA
	I_5	6.0mA to 14.0mA

Electrical Characteristics ($T_a = 25 \pm 2^\circ\text{C}$)

Parameter	Symbol	Condition	min	typ	max	Unit
Circuit current Pin⑤	I_5	$V_{5-2} = 26\text{V}$	1.5	2.3	3.1	mA
Circuit current Pin⑰	I_{17}	$V_{17-2} = 12\text{V}$	2.6	4.0	5.4	mA
DAC IN input threshold voltage	V_{TH6}	$V_{7-2} = 0\text{V}$	0.45	0.7	1.0	V
DAC OUT output voltage	V_{8-2}	$V_{6-2} = 1.0\text{V}$	—	0.1	0.4	V
DAC OUT output voltage	V_{5-8}	$V_{6-2} = 0.45\text{V}$	—	0.2	0.7	V
DAC OUT output current	I_8	$V_{6-2} = 0\text{V}$	-1.8	-1.1	-0.7	mA
BT IN input current	I_{11}	$V_{11-2} = 1\text{V to } 26\text{V}$	-0.3	-0.1	0.1	μA
BT OUT output voltage L	V_{12-2L}	$V_{11-2} = 0\text{V}$	0	0.1	0.4	V
BT OUT output voltage H	V_{12-5H}	$V_{11-2} = V_{5-2}$	-1.5	-1.0	-0.5	V
BT IN-OUT difference voltage	V_{11-12}	$V_{11-2} = 1\text{V to } 26\text{V}$	0	0.20	0.40	V
Terminal voltage V_L	V_{13-2}	$V_{17-2} = 12\text{V}$	3.0	3.4	3.8	V
Terminal voltage U	V_{14-2}	$V_{17-2} = 12\text{V}$	1.7	2.1	2.5	V
V_L input threshold voltage	V_{TH13}	$V_{17-2} = 12\text{V}$	0.5	—	2.0	V
V_L input threshold current	I_{TH13}	$V_{17-2} = 12\text{V}$	-500	—	-50	μA
U input threshold voltage	V_{TH14}	$V_{17-2} = 12\text{V}$	0.5	—	1.5	V
U input threshold current	I_{TH14}	$V_{17-2} = 12\text{V}$	-500	—	-50	μA
Output saturation voltage	V_{17-18} V_{17-19} V_{17-20} V_{17-23}	$I_{OUT} = -60\text{mA}$	0.6	1.0	1.4	V
Output leak current	I_{18} I_{20} I_{19} I_{23}		-10	—	0	μA
31.5V stabilized voltage	V_{5-2}	$I_5 = 10\text{mA}$	29.5	31.5	33.5	V
31.5V operation resistor	γ 5	$I_5 = 6 \text{ to } 14\text{mA}$	—	10	25	Ω
31.5V stabilized temperature characteristics	$\frac{\Delta V_{5-2}}{\Delta T_a}$	$T_a = -20 \text{ to } +60^\circ\text{C}$	(-1.5)	(0)	(+1.5)	mV/°C
31.5V time drift	$\Delta(V_{5-2})_t$	For a sample to which current has been applied for more than 15 minutes, referring to the voltage of 5 seconds after switch on, measure the voltage until 2 minutes later.	—	—	(±50)	mV

Note) The characteristics value in parentheses is not a guaranteed value, but reference one on design.

■ Pin Descriptions

Pin No.	Pin name	Pin No.	Pin name
1	NC	13	V _L input
2	GND	14	U input
3	NC	15	NC
4	NC	16	NC
5	31.5V stabilized voltage generation (I _S)	17	Supply voltage (V _{CC})
6	DAC input	18	B4 output
7	GND for DAC SW	19	B3 output
8	DAC output	20	B2 output
9	NC	21	NC
10	NC	22	NC
11	BT input	23	B1 output
12	BT output	24	Supply current (I ₂₄)

ICs for TV

Request for your special attention and precautions in using the technical information and semiconductors described in this book

- (1) If any of the products or technical information described in this book is to be exported or provided to non-residents, the laws and regulations of the exporting country, especially, those with regard to security export control, must be observed.
- (2) The technical information described in this book is intended only to show the main characteristics and application circuit examples of the products. No license is granted in and to any intellectual property right or other right owned by Panasonic Corporation or any other company. Therefore, no responsibility is assumed by our company as to the infringement upon any such right owned by any other company which may arise as a result of the use of technical information described in this book.
- (3) The products described in this book are intended to be used for standard applications or general electronic equipment (such as office equipment, communications equipment, measuring instruments and household appliances).
Consult our sales staff in advance for information on the following applications:
 - Special applications (such as for airplanes, aerospace, automobiles, traffic control equipment, combustion equipment, life support systems and safety devices) in which exceptional quality and reliability are required, or if the failure or malfunction of the products may directly jeopardize life or harm the human body.
 - Any applications other than the standard applications intended.
- (4) The products and product specifications described in this book are subject to change without notice for modification and/or improvement. At the final stage of your design, purchasing, or use of the products, therefore, ask for the most up-to-date Product Standards in advance to make sure that the latest specifications satisfy your requirements.
- (5) When designing your equipment, comply with the range of absolute maximum rating and the guaranteed operating conditions (operating power supply voltage and operating environment etc.). Especially, please be careful not to exceed the range of absolute maximum rating on the transient state, such as power-on, power-off and mode-switching. Otherwise, we will not be liable for any defect which may arise later in your equipment.
 - Even when the products are used within the guaranteed values, take into the consideration of incidence of break down and failure mode, possible to occur to semiconductor products. Measures on the systems such as redundant design, arresting the spread of fire or preventing glitch are recommended in order to prevent physical injury, fire, social damages, for example, by using the products.
- (6) Comply with the instructions for use in order to prevent breakdown and characteristics change due to external factors (ESD, EOS, thermal stress and mechanical stress) at the time of handling, mounting or at customer's process. When using products for which damp-proof packing is required, satisfy the conditions, such as shelf life and the elapsed time since first opening the packages.
- (7) This book may be not reprinted or reproduced whether wholly or partially, without the prior written permission of our company.