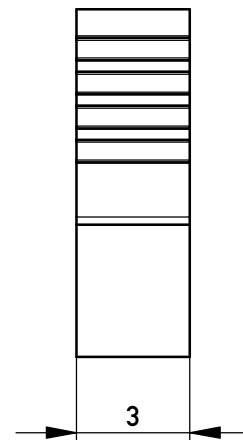
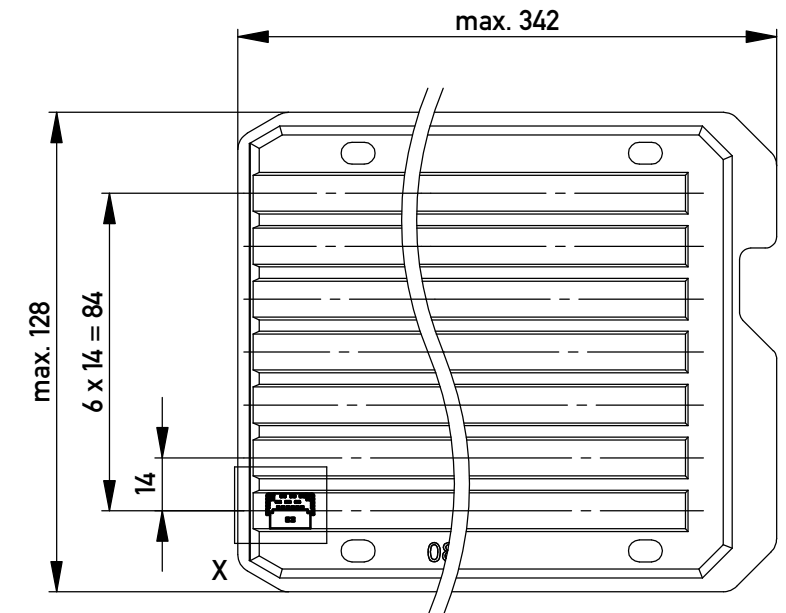


mit aufgesetzter Kabelführung
(Anlieferungszustand)
*with cable guide mounted
(state at time of supply)*

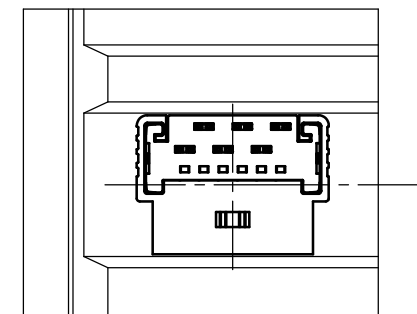


Kabelführung verpresst
(cable guide pressed on)

Verpackt in Tray - tray packaging
Verpackungseinheit 168 Stück - packaging unit 168 pcs



Einzelheit X - detail X
M 2:1



* Messerkontakt AWG 24-26 - Male Contact AWG 24-26
Kabelführung $\varnothing 1,07$ - cable guide $\varnothing 1,07$

Information:	Tolerances	 All Dimensions in mm	Scale	5:1
	All rights reserved. Only for Information. To ensure that this is the latest version of this drawing, please contact one of the ERNI companies before using.		Designation 1,27 SRC P SKV, 6-polig 1,27 SRC P IDC, 6-polig	
Subject to modification without prior notice. Drawing will not be updated.		 www.ERNI.com	100303580001	
Index	Date		Class	SRCP

Copyright by ERNI Production GmbH & Co. KG
Proprietary notice pursuant to ISO 16016 to be observed.