
Features

Hardware

- Supports Programming of all AT17LV and AT17F Series Devices
- Connection to Allow In-System Programming (ISP)
- Runs off Portable 9V DC Power Supply
- 5.0V Supply

Software

- CPS – Configurator Programming System
- GUI-based Interface
- Supports Windows® 95/98/2000 and WindowsNT®
- Online Help
- Supports Programming Reset Polarity
- Verification Routines to Validate Programming
- Accepts HEX, MCS, POF, RBF and BST File Formats

System Contents

- ATDH2200 Programming Board
- ATDH2222 20-pin PLCC Adapter
- CPS Software
- ATDH2200E Datasheet
- ATDH2200E Programming Kit User Guide
- Standard (PC Printer Port) Parallel Cable
- 10-pin Ribbon Cable for ISP
- 9V DC, 500 mA, 2.1 mm Center Positive/Negative Power Supply
- Sample AT17C/LV Devices

Description

The ATDH2200E allows designers to quickly and economically program Atmel's family of AT17 Configuration Memories. The system also provides support for new devices in the AT17 family prior to Third Party Programmer support being available. A truly portable solution that allows engineers to work from their lab bench or office.

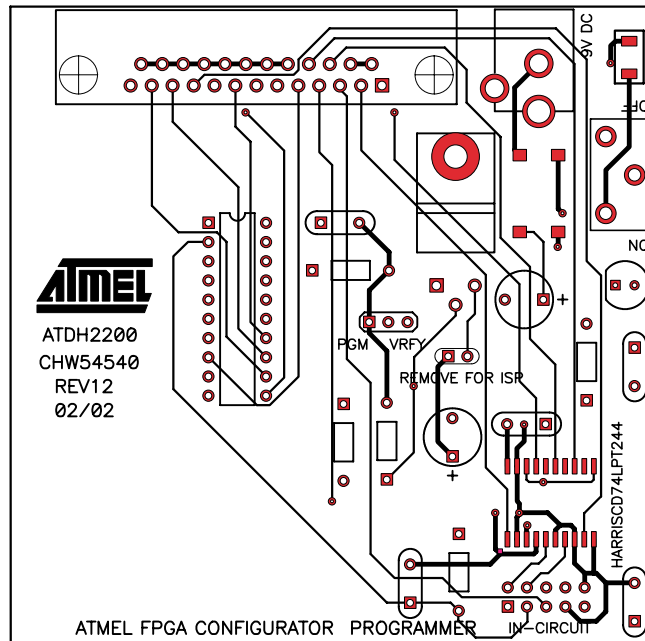


FPGA Configurator Programming Kit (Enhanced)

ATDH2200E

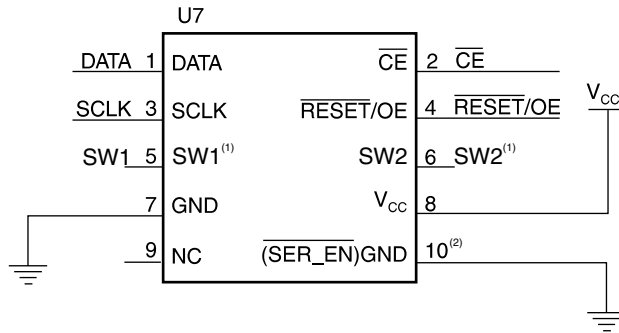


Figure 1. ATDH2200E Configurator Programming Board



In-System Programming Connector

Figure 2. In-System Programming Header



- Notes:
- SW1 and SW2 are designed to be used for special cascaded EEPROM circuitry in the future. SW1 and SW2 are connected to pin 3 and pin 4 of the parallel port on the ATDH2200E board (Rev.12).
 - Pin 10 activates $\overline{SER_EN}$ on target board

The ATDH2200E programming board has a 10 pin header (0.1" spacing) to facilitate in-system programming (Figure 2) of the AT17 parts. The control signals generated by the software are fed to the header, as well as to socket U3 on the board. By placing a similar socket on the target system and connecting the programming board to that target system, the programming algorithms written by Atmel can be used to program an AT17 device in-system.

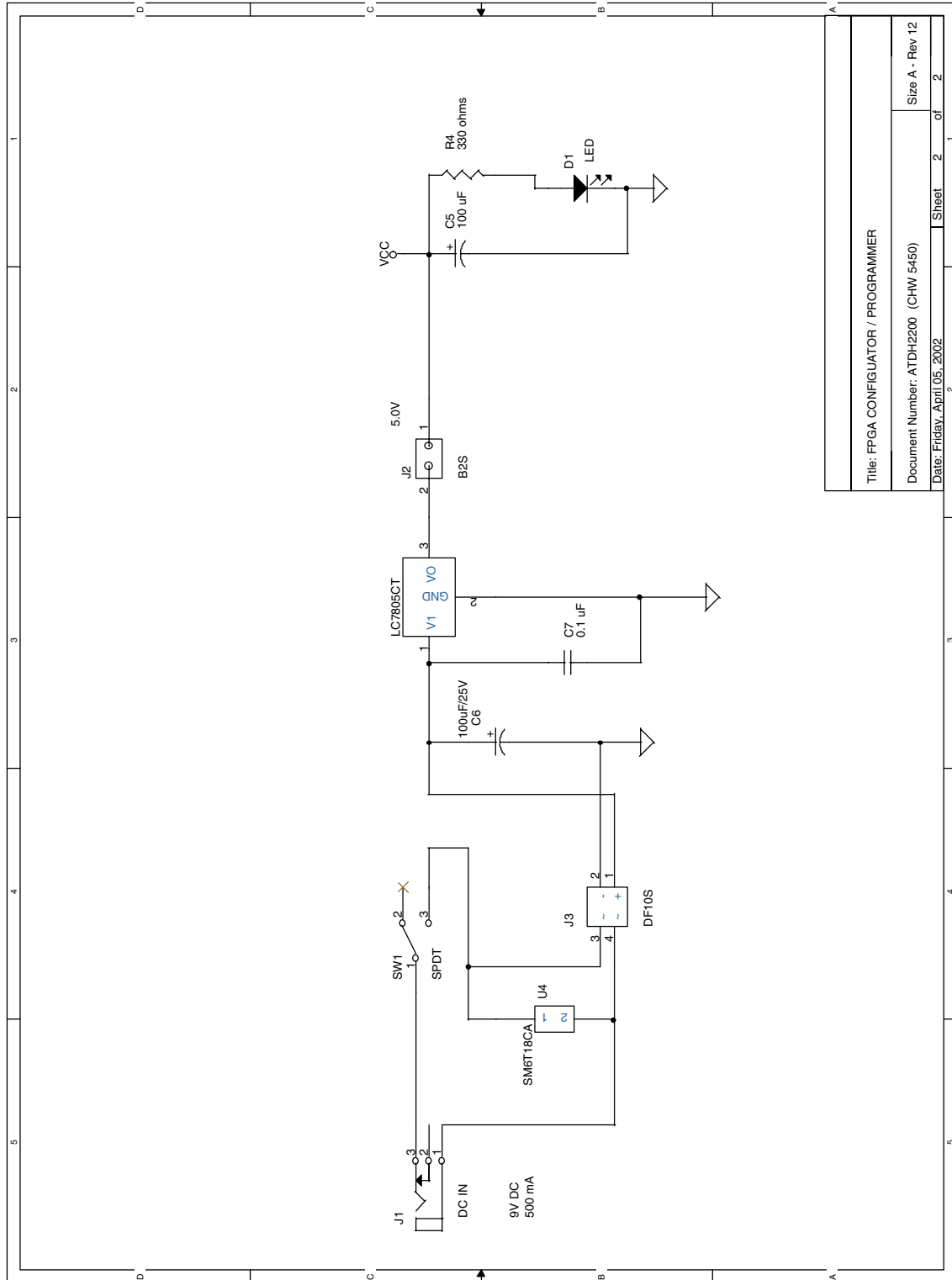
Related Documents

- ATDH2200E Programming Kit User Guide
- AT17 Series datasheet
- Programming Specification for Atmel's FPGA Configuration EEPROMs
- In-System Programming Cascaded Configurators
- AT17A Series datasheet

**Adapters Available for the
ATDH2200E**

- ATDH2222 – 20-lead PLCC adapter (supplied with kit)
- ATDH2221 – 20-lead SOIC adapter
- ATDH2223 – 8-lead SOIC adapter
- ATDH2224 – 44-lead TQFP
- ATDH2226 – 32-lead TQFP
- ATDH2227 – 44-lead PLCC (non-A parts only)
- ATDH2227A – 44-lead PLCC (A parts only)
- ATDH2228 – 8-lead LAP

Power Supply Generation



Title: FPGA CONFIGURATOR / PROGRAMMER

Document Number: ATDH2200 (CHW 5450)

Date: Friday, April 05, 2002

Size A - Rev 12

Sheet 2 of 2



Atmel Headquarters

Corporate Headquarters

2325 Orchard Parkway
San Jose, CA 95131
TEL 1(408) 441-0311
FAX 1(408) 487-2600

Europe

Atmel Sarl
Route des Arsenaux 41
Case Postale 80
CH-1705 Fribourg
Switzerland
TEL (41) 26-426-5555
FAX (41) 26-426-5500

Asia

Room 1219
Chinachem Golden Plaza
77 Mody Road Tsimhatsui
East Kowloon
Hong Kong
TEL (852) 2721-9778
FAX (852) 2722-1369

Japan

9F, Tonetsu Shinkawa Bldg.
1-24-8 Shinkawa
Chuo-ku, Tokyo 104-0033
Japan
TEL (81) 3-3523-3551
FAX (81) 3-3523-7581

Atmel Operations

Memory

2325 Orchard Parkway
San Jose, CA 95131
TEL 1(408) 441-0311
FAX 1(408) 436-4314

Microcontrollers

2325 Orchard Parkway
San Jose, CA 95131
TEL 1(408) 441-0311
FAX 1(408) 436-4314

La Chantrerie
BP 70602
44306 Nantes Cedex 3, France
TEL (33) 2-40-18-18-18
FAX (33) 2-40-18-19-60

ASIC/ASSP/Smart Cards

Zone Industrielle
13106 Rousset Cedex, France
TEL (33) 4-42-53-60-00
FAX (33) 4-42-53-60-01

1150 East Cheyenne Mtn. Blvd.
Colorado Springs, CO 80906
TEL 1(719) 576-3300
FAX 1(719) 540-1759

Scottish Enterprise Technology Park
Maxwell Building
East Kilbride G75 0QR, Scotland
TEL (44) 1355-803-000
FAX (44) 1355-242-743

RF/Automotive

Theresienstrasse 2
Postfach 3535
74025 Heilbronn, Germany
TEL (49) 71-31-67-0
FAX (49) 71-31-67-2340

1150 East Cheyenne Mtn. Blvd.
Colorado Springs, CO 80906
TEL 1(719) 576-3300
FAX 1(719) 540-1759

Biometrics/Imaging/Hi-Rel MPU/ High Speed Converters/RF Datacom

Avenue de Rochepleine
BP 123
38521 Saint-Egreve Cedex, France
TEL (33) 4-76-58-30-00
FAX (33) 4-76-58-34-80

Atmel Programmable SLI Hotline
(408) 436-4119

Atmel Programmable SLI e-mail
configurator@atmel.com

FAQ
Available on web site

e-mail
literature@atmel.com

Web Site
<http://www.atmel.com>

© Atmel Corporation 2002.

Atmel Corporation makes no warranty for the use of its products, other than those expressly contained in the Company's standard warranty which is detailed in Atmel's Terms and Conditions located on the Company's web site. The Company assumes no responsibility for any errors which may appear in this document, reserves the right to change devices or specifications detailed herein at any time without notice, and does not make any commitment to update the information contained herein. No licenses to patents or other intellectual property of Atmel are granted by the Company in connection with the sale of Atmel products, expressly or by implication. Atmel's products are not authorized for use as critical components in life support devices or systems.

ATMEL® is the registered trademarks of Atmel.

Microsoft®, Windows® and WindowsNT® are the registered trademarks of Microsoft Corporation. Other terms and product names may be the trademarks of others.



Printed on recycled paper.