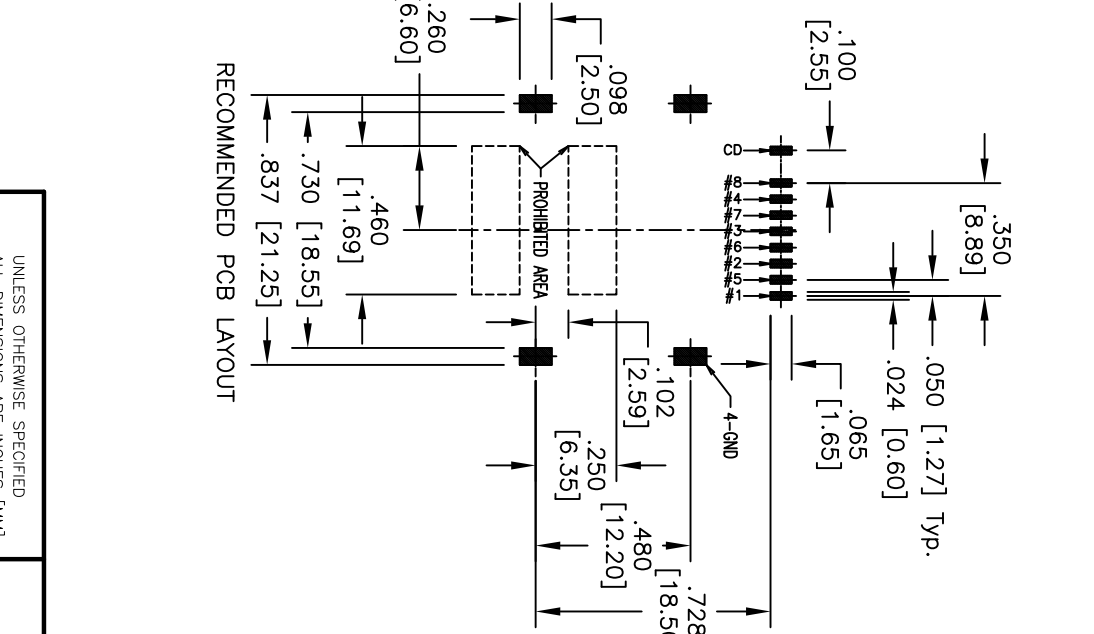
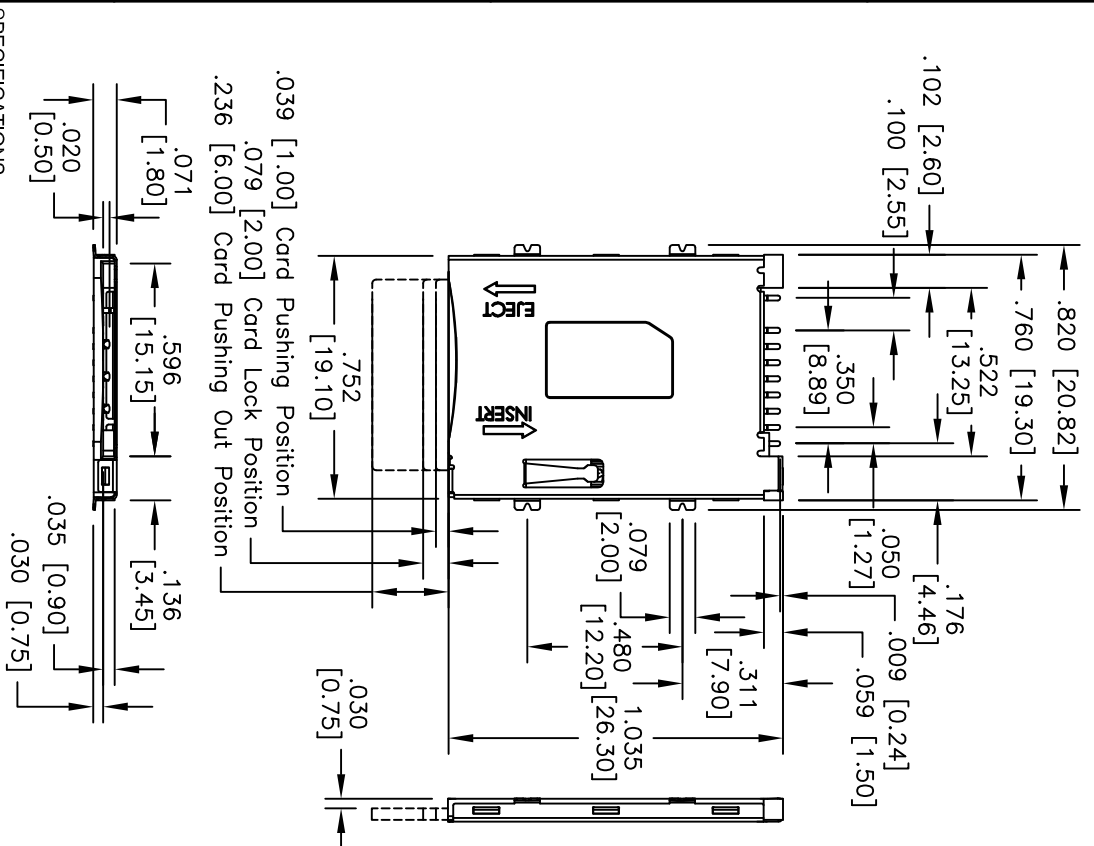


APPROVED: _____	TITLE: _____	DATE: _____
Rev	AWO #	Description
-	10590	RELEASED
		Date
		10/07/10
		Appr



Pin Assignment :

SIM #1	SIM VCC
SIM #2	SIM RST
SIM #3	SIM CLK
SIM #4	SIM Reserve
SIM #5	SIM GND
SIM #6	SIM VPP
SIM #7	SIM I/O
SIM #8	SIM Reserve
CD	CARD Detect

Card Uninsertion	Detect Contact & GROUND	CLOSE
Card Insertion		OPEN

**SPECIFICATIONS:**  
**Material:**  
 Insulator: Thermoplastic, rated UL 94V-0, color Black.  
 Terminal: Copper Alloy  
 Shell: Stainless steel  
**Plating:**  
 Gold flash over Nickel underplate on contact area,  
 Tin over Copper underplate on tails.  
**Environmental:**  
 Lead free, RoHS compliant.

**ADAM TECH**  
 909 Rahway Avenue, Union, NJ 07083  
 Phone: 908-687-5000 Fax: 908-687-5710

**SIM CARD PUSH PUSH CONNECTOR**

UNLESS OTHERWISE SPECIFIED  
 ALL DIMENSIONS ARE INCHES [MM]  
 TOLERANCES: EXCEPT AS NOTED  
 INCHES                      HOLES  
 .X                              ± .10  
 .XX                             ± .020  
 .XXX                            ± .015  
 .XXXX                           ± .010

APPROVALS	DATE
DRAWN	DY
CHECKED	
APPROVED	

SIZE	PART NO.	REV.
X	SCCP-08-SG-SMT-01	
REF: S00173T	SCALE: NTS	SHEET 1 OF 1