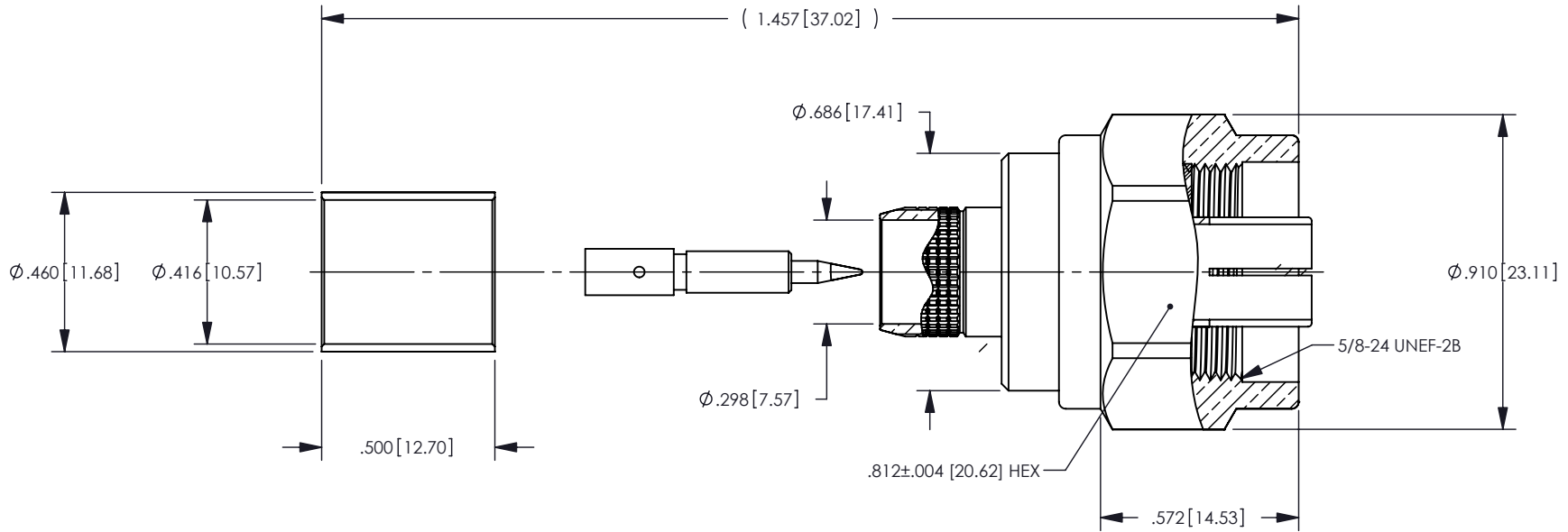


REV	DESCRIPTION	BY DATE	APPD
A	RELEASED PER ER7520	PSM 04/14/08	DCam



NOTES: UNLESS OTHERWISE SPECIFIED

- FOR GENERAL SERIES SPECIFICATIONS, SEE SD60-0000.
MEETS NORTHROP GRUMMAN SPECIFICATION 5NG0026 REV: DRAFT
- MATERIAL SPECIFICATIONS:
INSULATOR: TEFLON PER ASTM D1710
GASKET: SILICONE RUBBER PER A-A-59588
K-GRIP SLEEVE: BRONZE TUBE ALLOY 220
C-RING & OUTER CONTACT: PHOSPHOR BRONZE PER ASTM B103
ALL OTHER PARTS: BRASS PER ASTM B16
- FINISH SPECIFICATIONS:
CENTER CONTACT: .000050 MIN GOLD PER ASTM B488 OVER
.000050 MIN NICKEL PER SAE-AMS-QQ-N-290
OUTER CONTACT: .000200 MIN SILVER PER ASTM B700 OVER
.000020 MIN COPPER PER ASTM B734
ALL OTHER METAL PARTS: .000050 MIN NICKEL PER SAE-AMS-QQ-N-290 OVER
.000050 MIN COPPER PER ASTM B734
- ELECTRICAL SPECIFICATIONS:
NOMINAL IMPEDANCE: 50 OHMS
VOLTAGE RATING: 500 VRMS
FREQUENCY RANGE: DC TO 11 GHz
- CRIMP FERRULE AND CENTER CONTACT SHIPPED LOOSE.
- ASSEMBLE TO CABLE USING CP-480
- CRIMP USING DIE KTH-2294 (.110 HEX CONTACT; .384 HEX FERRULE)
- DESIGNED FOR USE WITH NORTHROP GRUMMAN 5NG0032 CABLE.

P/N: 1205-103-9

PER ASME Y14.5M-1994 UNLESS OTHERWISE SPECIFIED: DIMENSIONS ARE IN INCHES [MM] TOLERANCES: DECIMAL: .XX [X.X] ± .01 [0.3] .XXX [X.XX] ± .005 [0.13] .XXXX [X.XXX] ± .XXXX ANGLES: ± 2° SCALE: 2:1		 Winchester Electronics 62 Barnes Industrial Road North Wallingford, Connecticut 06492	
CUSTOMER DRAWING		 NORTHROP GRUMMAN TYPE N STRAIGHT CABLE PLUG CRIMP ATTACHMENT	
DRAWN HN 03/06/07	DATE 03/06/07	APPROVED HN 03/02/07	DATE 03/02/07
APPROVED WPM 04/14/08	DATE 04/14/08	APPROVED DCAM 04/14/08	DATE 04/14/08
A		SD1205-103-9	SHT 1 OF 1 REV A