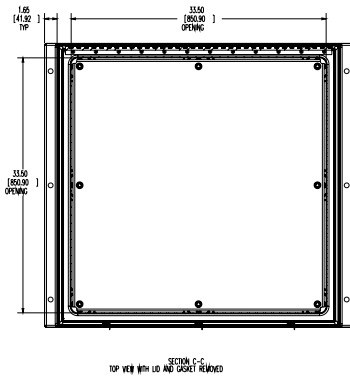
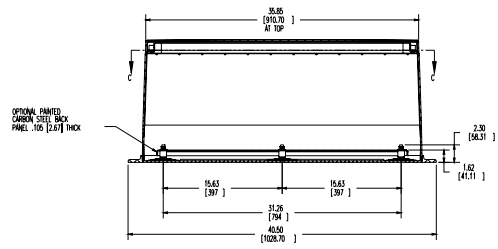
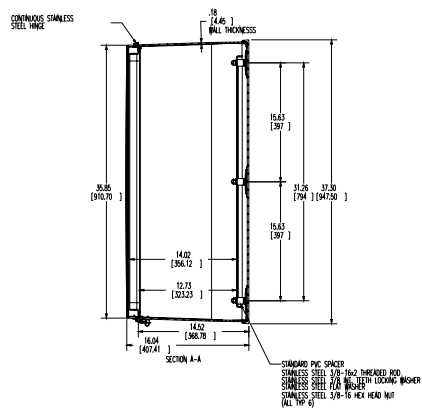
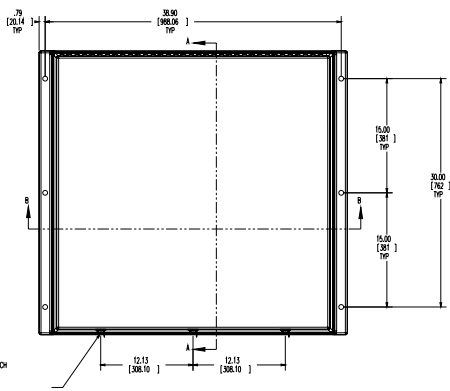



DATE	DWG	DESCRIPTION	BY	CHK	NO.



MATERIAL:
 BKT - 60-100% FIBERGLASS RESIN
 COVER - 60-100% FIBERGLASS RESIN
 EPDM GASKET SEAL



PART No. PJW363614L
 for more information visit
www.hammfg.com
 Data subject to change without notice
 Drawing Not to Scale