


Specifications for Through-Hole Single-Turn Trimmers

Series	VG067 Series	VZ067 Series
Model Examples		
Features	<ul style="list-style-type: none"> ■ Cermet Through-Hole, Single-Turn Trimmers ■ Horizontal and Vertical Mounting Styles ■ Cross-Slot Dust Resistant Cap ■ PC Board Standoff Terminals with Snap-in Retention Configuration ■ Stable Performance in Adverse Ambient Conditions ■ Suitable for Automatic Adjustment Equipment ■ RoHS Compliant: Pb-Free and Cd-Free 	<ul style="list-style-type: none"> ■ Carbon Through-Hole, Single-Turn Trimmers ■ Horizontal and Vertical Mounting Styles ■ Cross-Slot Dust Resistant Cap ■ PC Board Standoff Terminals with Snap-in Retention Configuration ■ Stable Performance in Adverse Ambient Conditions ■ Suitable for Automatic Adjustment Equipment ■ RoHS Compliant: Pb-Free and Cd-Free
Nominal Size and Construction	6.8mm x 8.4mm Open Frame, Through-Hole	6.8mm x 8.4mm Open Frame, Through-Hole
Resistive Element	Cermet	Carbon
Adjustment Travel	Single-Turn: 240° ± 10°	Single-Turn: 240° ± 10°
Adjustment Type	Top Adjust or Side Adjust Cross-Slot Dust Resistant Cap	Top Adjust or Side Adjust Cross-Slot Dust Resistant Cap
Terminal Style	Snap-In, Standoff Through-Hole Pins Triangular Footprint	Snap-In, Standoff Through-Hole Pins Triangular Footprint
Resistance Range	100Ω to 1MΩ (1, 2, 3, 5 Sequence)	100Ω to 1MΩ (1, 2, 3, 5 Sequence)
Resistance Tolerance	± 25%	± 25%
Residual Resistance	Within 1% of Total Resistance Value 1kΩ: 10Ω max.; 100kΩ: < 5% max.	Within 1% of Total Resistance Value 1kΩ: 10Ω max.; 100kΩ: < 5% max.
Noise (C.R.V.)	Within 4% of Total Resistance Value	Within 4% of Total Resistance Value
Power Rating	0.2 W at +70°C 0 W at +100°C	0.1 W at +70°C 0 W at +100°C
Maximum Working Voltage	100V or $\sqrt{PR} = V$, whichever is smaller	100V or $\sqrt{PR} = V$, whichever is smaller
Temperature Range	-25°C to +100°C	-25°C to +100°C
Temperature Coefficient	± 250 ppm/°C	—
Operating Torque	2.94 – 29.4 mN•m (30 – 300 gf•cm)	2.94 – 29.4 mN•m (30 – 300 gf•cm)
Stop Strength	49.0 mN•m (500 gf•cm)	49.0 mN•m (500 gf•cm)

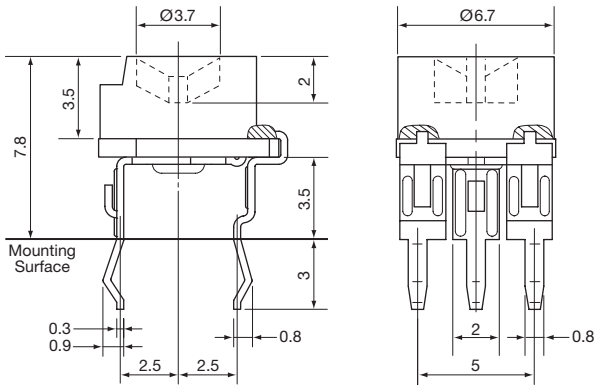
Standard Nominal Resistance Values with Ordering Codes

Standard Nominal Resistances and Ordering Codes	Resistance (Ω)	Code	Resistance (Ω)	Code	Resistance (Ω)	Code	Resistance (Ω)	Code
	100	101	1,000	102	10,000	103	100,000	104
200	201	2,000	202	20,000	203	200,000	204	
300	301	3,000	302	30,000	303	300,000	304	
500	501	5,000	502	50,000	503	500,000	504	
—	—	—	—	—	—	1,000,000	105	

Dimensions for Through-Hole Single-Turn Trimmers

VG067TL1 and VZ067TL1 Through-Hole, Horizontal Mount, Cross-Slot, Top Adjust

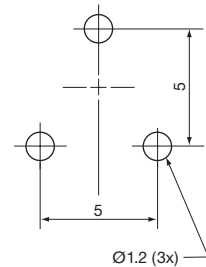
Unit: mm



Top View

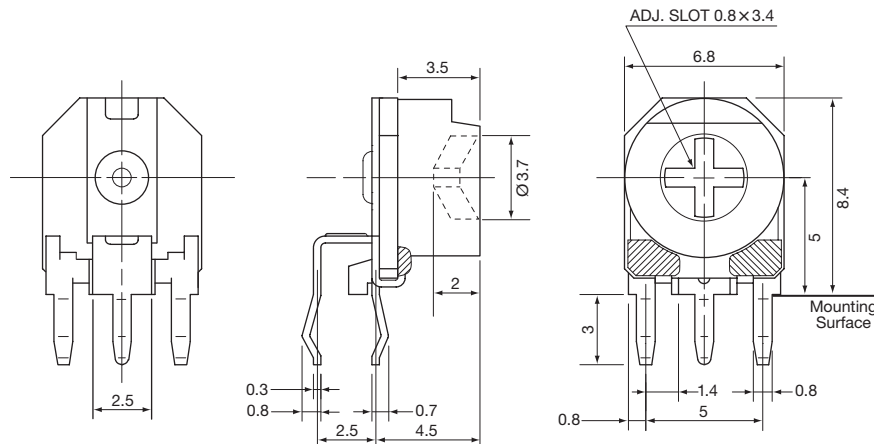
Recommended PCB Layout

L1 Top Adjust Pin-Out



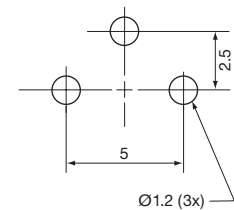
Standard Packaging
Bulk, 500 Pieces Per Bag
Contact Tocos for Optional Tape and Reel or Ammo Box Packaging.

VG067TH1 and VZ067TH1 Through-Hole, Vertical Mount, Cross-Slot, Side Adjust



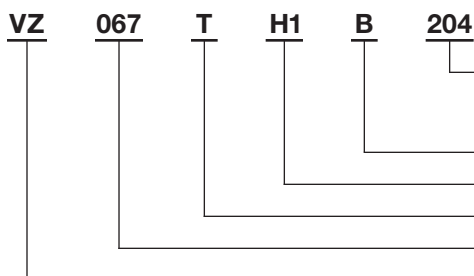
Recommended PCB Layout

H1 Side Adjust Pin-Out



Standard Packaging
Bulk, 500 Pieces Per Bag
Contact Tocos for Optional Tape and Reel or Ammo Box Packaging.

Part Numbering System for Through-Hole VG067 and VZ067



Resistance Code: Expressed in ohms. A three digit code where the first two digits are significant figures, and the third digit indicates the number of zeros that follow these figures (i.e., 200 = 20 Ω ; 201 = 200 Ω ; 202 = 2,000 Ω ; 203 = 20,000 Ω).

Resistance Taper: B = Linear.

Mounting Style: L1 = Horizontal (Top Adjust); H1 = Vertical (Side Adjust)

Design Type: T = Dust Resistant Cap.

Size: 067 = 6mm (See Dimensions).

TOCOS Series: VG = Cermet; VZ = Carbon.