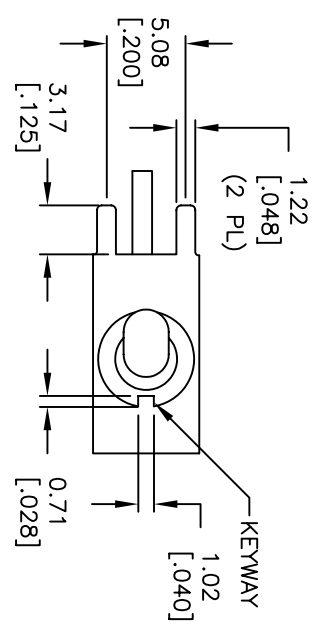
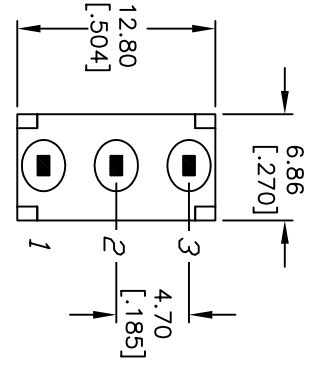


RECOMMENDED PCB LAYOUT

CONTACT CONFIGURATION



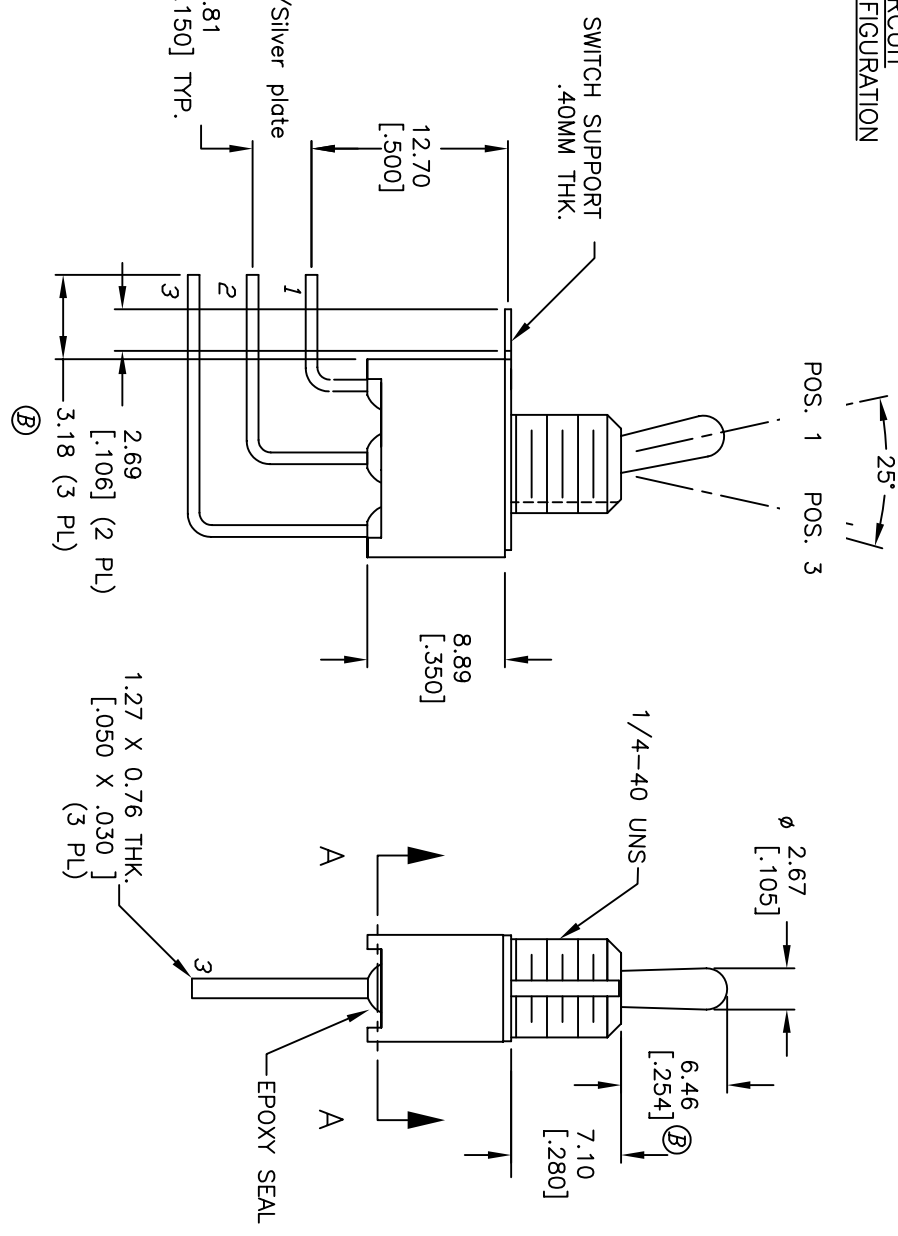
SECTION A-A



SWITCH FUNCTION			
PDS. 1	PDS. 2	PDS. 3	
DN	DN	DN	
2-3	OPEN	2-1	

NOTES:

1. ALL DIMENSIONS IN MM [INCH]
2. GENERAL TOLERANCE: X.X=±0.4  
X.XX=±0.25
3. TERM. NOS. FOR REF. ONLY
4. RATING: 5A @120VAC OR 28VDC  
2A @250VAC
5. FIXED TERM. & MOVING CONTACT: Copper Alloy w/Silver plate
6. ELECTRICAL LIFE: 50,000 make-and-break cycles at full load.
7. INSULATION RESISTANCE: 1,000M ohm min.
8. DIELECTRIC STRENGTH: 1000V RMS @sed level
9. OPERATING TEMP.: -30°C to 85°C
10. 2002/95/EC (ROHS) COMPLIANT
11. HARDWARE TO BE SUPPLIED BULK:  
T100011-LOCK WASHER QTY-1  
T100015-LOCK RING QTY-1  
T100000-HEX NUT QTY-2



REV.	ECN No.	DESCRIPTION	DATE	CHKD
B	15528	DIMS FROM 4.50, 6.86	11/3/05	PH
A	15497	RELEASED FOR PRODUCTION	11/3/05	PH

TITLE		SCALE		DATE		DR		DWG		REV	
100 SP-1 T2 B3 M7 Q EH		2:1		11/3/05		PH		ST110237		B	



THE INFORMATION CONTAINED IN THIS DOCUMENT IS PROPRIETARY TO E-SWITCH AND IS NOT TO BE COPIED OR TRANSMITTED