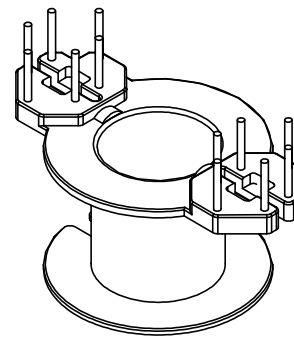
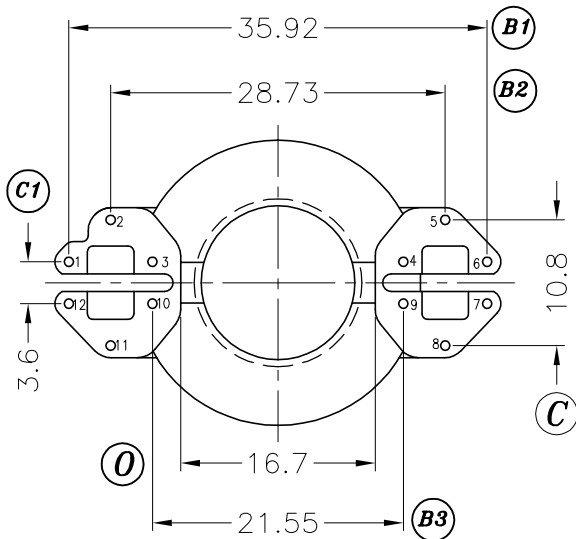
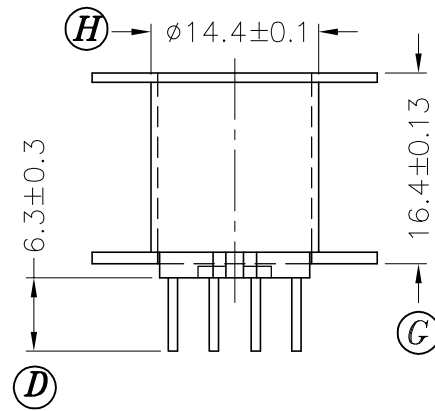
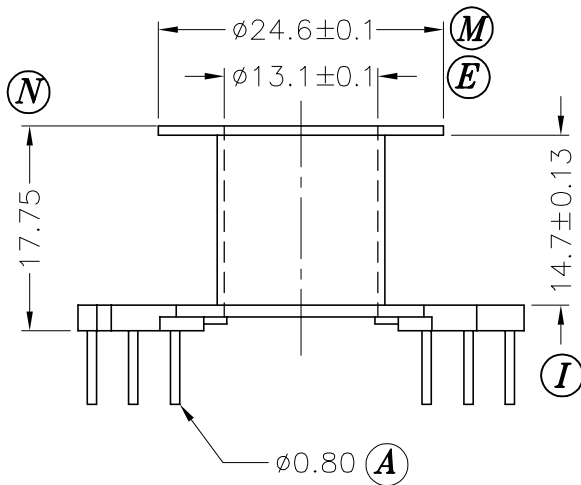
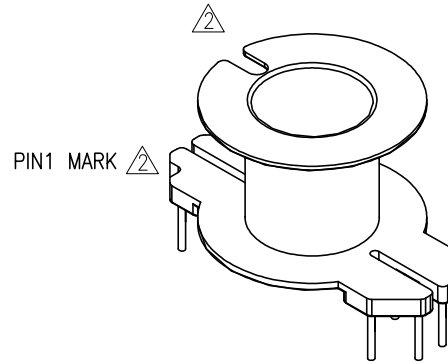
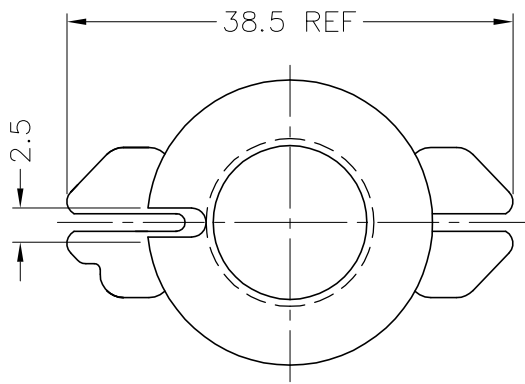


# FERYSTER



#### TOLERANCES

0 < L < 4	± 0.1	
4 < L < 16	± 0.2	pin pitch
16 < L < 63	± 0.3	± 0.2

BOBBIN MATERIAL: PHENOLIC PM9630  
 UL REC. UL 94V-0  
 PIN MATERIAL: CP WIRE