



7/16 DIN Male to HN Female Adapter

TECHNICAL DATA SHEET

PE9558

7/16 DIN Male to HN Female Adapter

Configuration

Connector 1	7/16 DIN Male
Connector 2	HN Female
Adapter Design	Standard
Body Style	Straight

Electrical Specifications

Impedance, Ohms	50
-----------------	----

Mechanical Specifications

Size

Length, in [mm]	1.725 [43.82]
Width/Dia., in [mm]	1.25 [31.75]
Dielectric Type	PTFE

Connector 1

Type	7/16 DIN Male
Inner Conductor Material and Plating	Gold
Coupling Nut Material and Plating	Brass, Nickel
Hex Size, mm	32
Torque, in-lbs [Nm]	18 [24.41]
Body Material and Plating	Brass, Nickel

Connector 2

Type	HN Female
Inner Conductor Material and Plating	Gold
Body Material and Plating	Brass, Nickel

Compliance Certifications (visit www.Pasternack.com for current document)

RoHS Compliant	Yes
----------------	-----

Plotted and Other Data

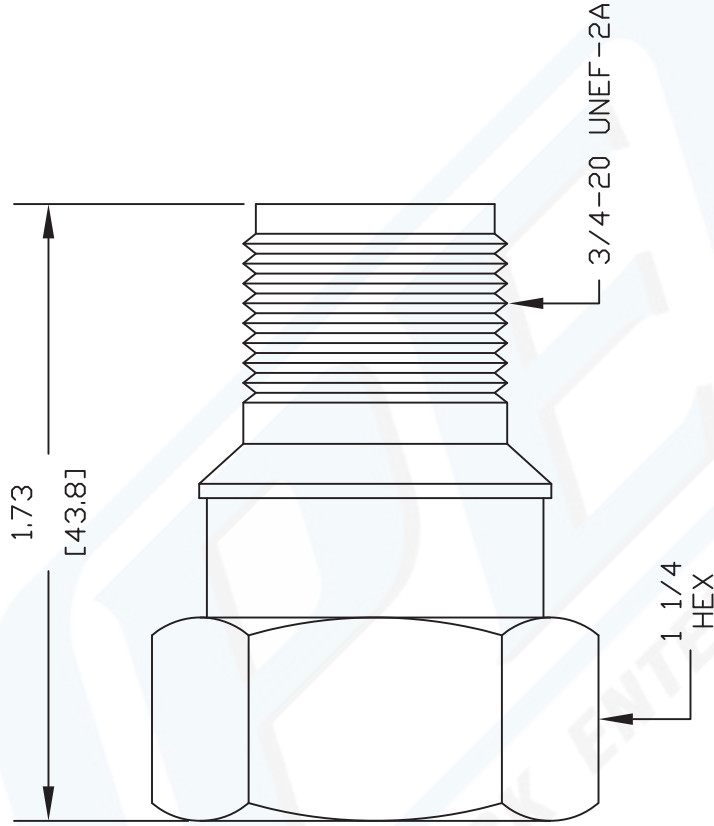
Notes:	Values at 25 °C, sea level
--------	----------------------------

URL: <http://www.pasternack.com/7-16-male-hn-female-straight-adapter-pe9558-p.aspx>

7/16 DIN Male to HN Female Adapter from Pasternack Enterprises has same day shipment for domestic and International orders. Our RF, microwave and fiber optic products maintain a 99% availability and are part of the broadest selection in the industry.

The information contained in this document is accurate to the best of our knowledge and representative of the part described herein. It may be necessary to make modifications to the part and/or the documentation of the part, in order to implement improvements. Pasternack reserves the right to make such changes as required. Unless otherwise stated, all specifications are nominal.

PE9558 CAD Drawing
7/16 DIN Male to HN Female Adapter



NOTES:
 1. UNLESS OTHERWISE SPECIFIED ALL DIMENSIONS ARE NOMINAL.
 2. ALL SPECIFICATIONS ARE SUBJECT TO CHANGE WITHOUT NOTICE AT ANY TIME.
 3. DIMENSIONS ARE IN INCHES [mm].

DWG TITLE
PE9558

127

SIZE A

SCALE N/A

CAD FILE 100202

FSCM NO. 53919

REV. -

PE PASTERNAK®
 Pasternack Enterprises, Inc.
 P.O. Box 16759 | Irvine | CA | 92623
Phone: (949) 261-1920 | **Fax:** (949) 261-7451
Website: www.pasternack.com | **E-Mail:** sales@pasternack.com