

A

B

C

D

E

F

G

H

A

B

C

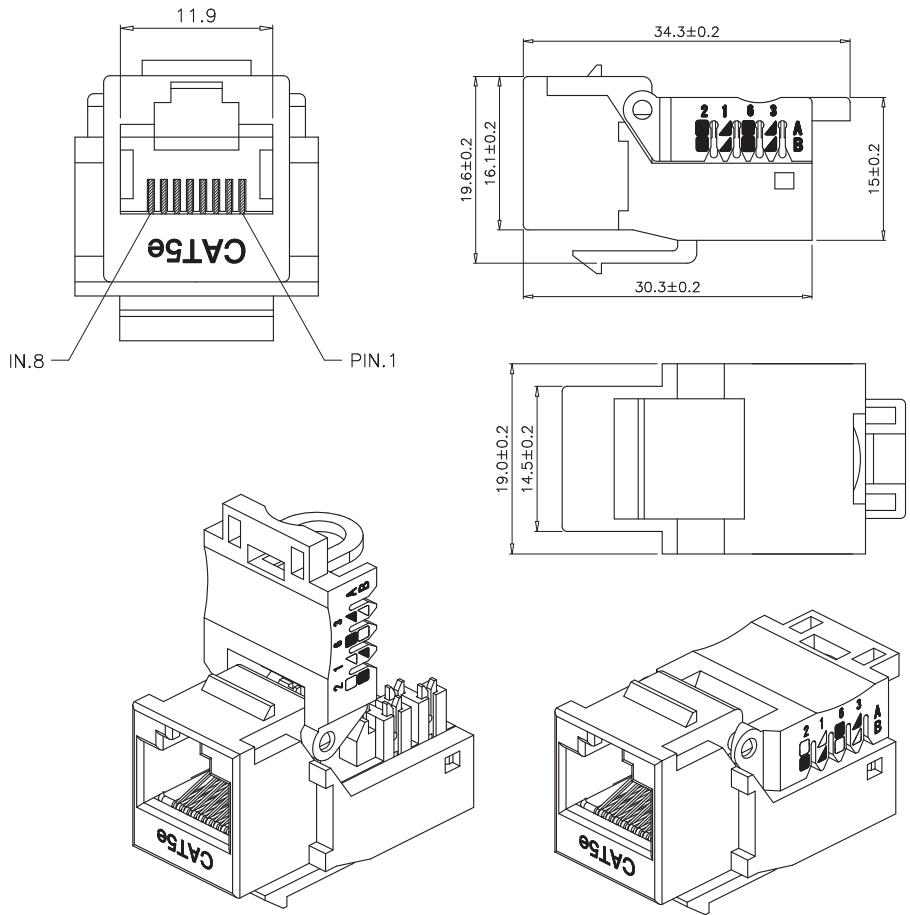
D

E

F

G

H



Material:

- 1 RJ45 Jack Housing: ABS, UL94V-0
- with optional color
- 2. Jack Bracket Set: PBT, UL94V-0
- 3. RJ45 Jack Contact Material & Finished
- Phosphor Bronze
- Contact area: Min. 3MM 50 Micro-inch Gold plated over Nickel plated
- 4. IDC Housing: PC, 94V-2
- 5. IDC Terminal material & finished:
- Phosphor Bronze w/Min. 50 Micro-inch Tin plated
- Suitable for 23-24AWG stranded & solid wire
- 6. IDC CAP: PC, UL94V-2

Electrical:

- Wiring: T568A & T568B
- Insertion Force: 900 GM for 8 contacts
- Retention Strength: 7.7Kg between Jack & Plug
- Operating Temperature: -10°C ~ +60°C
- Durability: Jack: 750 cycles Plug-Jack mating and unmating test, Insertion cycles at 20 cycles/minute max. Contact resistance test per 100 cycles.
- The Cat.5e transmission performance is in compliance with the ANSI/TIA/EIA 568 B.2 standard

Unit: MM±0.1MM



Scale	1:1							Name	Item No.
TOLERANCE								Chappell	DN-93501-U/Y
X.X	±0.40					Drawn	12.20.11		
X.XX	±0.25					Approved			Title
X.XXX	±0.15								Cat5e Unshielded Keystone Jack - 90° Tool Free Type, Yellow
Angle	±3°								Drawing No.
									rev00
									Replace
									Sheet

