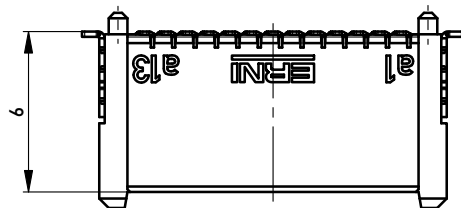
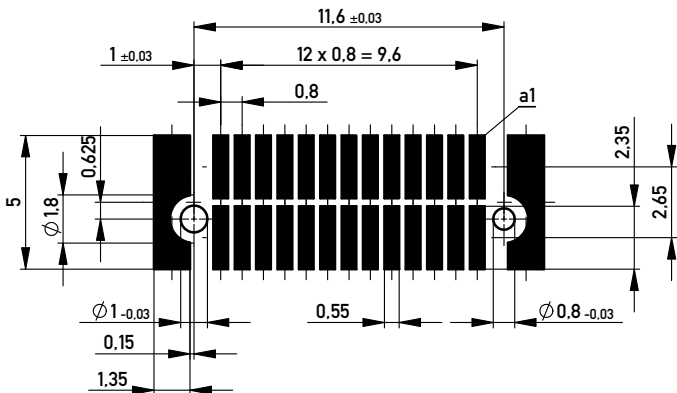


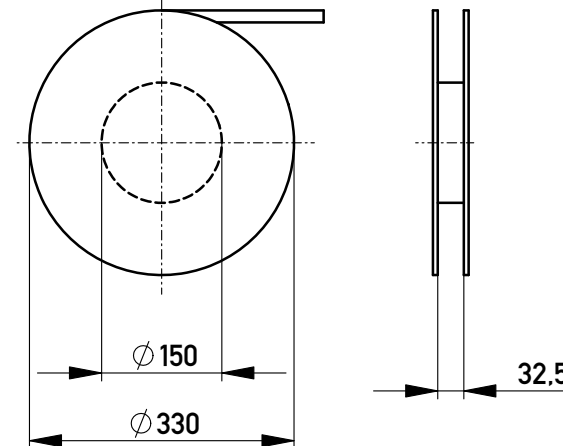
ohne Ansaughaube - without hood



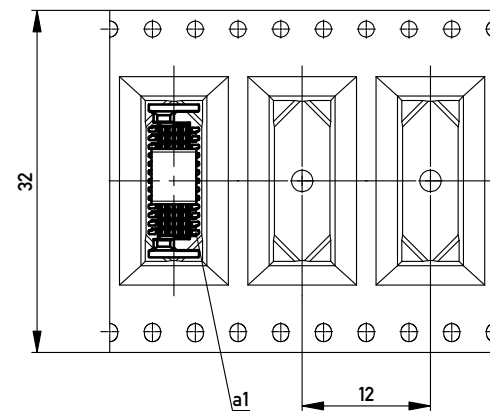
Leiterplatten-Layout Vorschlag für SMT
PCB-Layout Proposal for SMT



Verpackt in Gurtverpackung - Tape on Reel Packaging
Verpackungseinheit: 670 Stück - Packaging unit: 670 pcs



Abspulrichtung - Reel off Direction



Anforderungsstufe 2
Performance Level 2

Kontaktbereich vergoldet
Mating Area gold plating

Anschlussbereich verzinkt 4-6 µm
Terminal Area 4-6 µm tin plating

Koplanarität der Anschlüsse ≤ 0,1 mm
Coplanarity Area of Termination ≤ 0,1 mm

Copyright by ERNI GmbH
Proprietary notice pursuant to ISO 16016 to be observed.

Information:	Tolerances	Scale 5:1	
	All Dimensions in mm		
All rights reserved. Only for Information. To ensure that this is the latest version of this drawing, please contact one of the ERNI companies before using.	Subject to modification without prior notice. Drawing will not be updated.	Designation 0,8 DRC-B, F 6mm, 26 polig 0,8 DRC-B, F 6mm, 26 pin	
	www.ERNI.com	294015	1
Index	Date	Class	DRCB
			A3