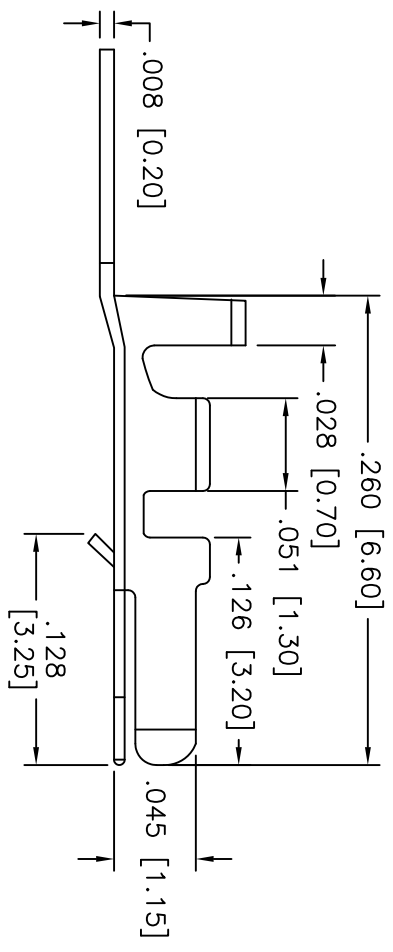
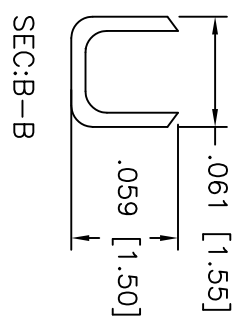
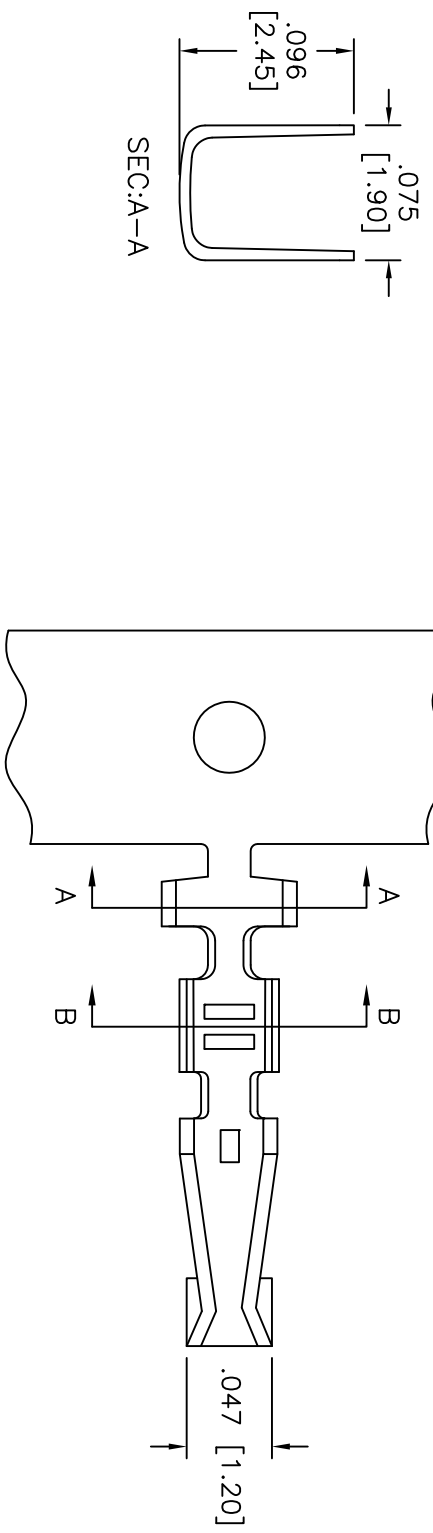


Rev	AWO #	Description	Date	Appr
-		RELEASED	4/21/10	

APPROVED: _____
 DATE: _____ TITLE: _____



SPECIFICATIONS:

Material: Phosphor Bronze
 Plating: Tin Plated
 Thickness: 0.2mm
 Environmental:
 Lead free, RoHS compliant.



UNLESS OTHERWISE SPECIFIED ALL DIMENSIONS ARE INCHES [MM]	
TOLERANCES: EXCEPT AS NOTED	
INCHES	[MM]
.X ± .10	ØX ± .10
.XX ± .020	ØXX ± .015
.XXX ± .015	ØXXX ± .010
APPROVALS	DATE
DRAWN	DATE
CHECKED	
APPROVED	

ADAM TECH
 909 Railway Avenue, Union, NJ 07083
 Phone: 908-687-5000 Fax: 908-687-5710

TITLE: **CRIMP CONTACT**

SIZE: X PART NO.: 2CTDC-R
 REF: S00015T SCALE: NTS SHEET 1 OF 1